



REV.	ECN NO OR DESCRIPTION	REVISED	DATE

NOTES:

1. MATERIAL SPECIFICATION

- 1) INSULATION MATERIAL THERMOPLASTIC.
- 2) SHELL: COPPER ALLOY/SPCC, T: 0.30mm  
PLATING: NICKEL
- 3) TERMINAL: COPPER ALLOY, T: 0.25mm  
PLATING: GOLD/TIN PLATED.

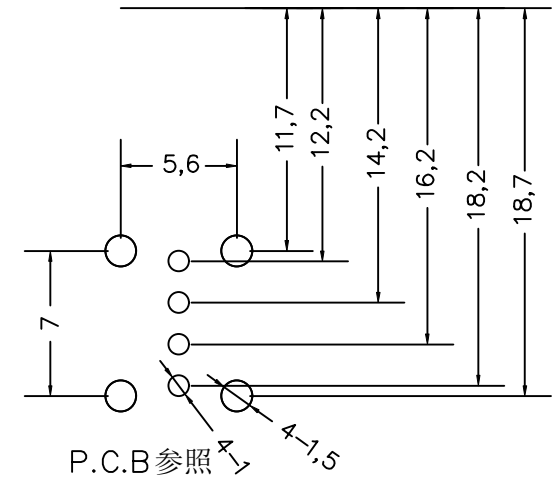
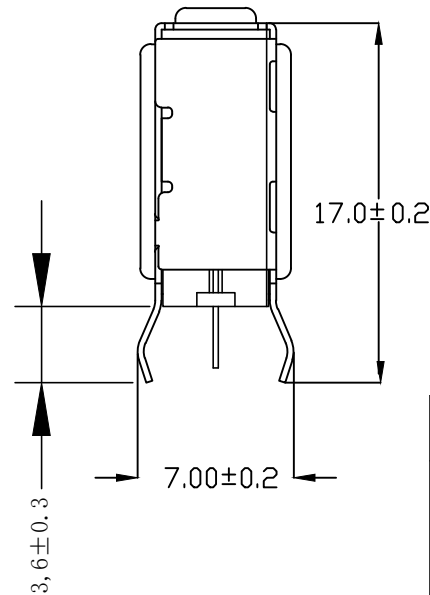
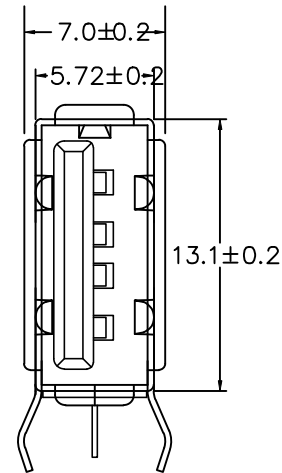
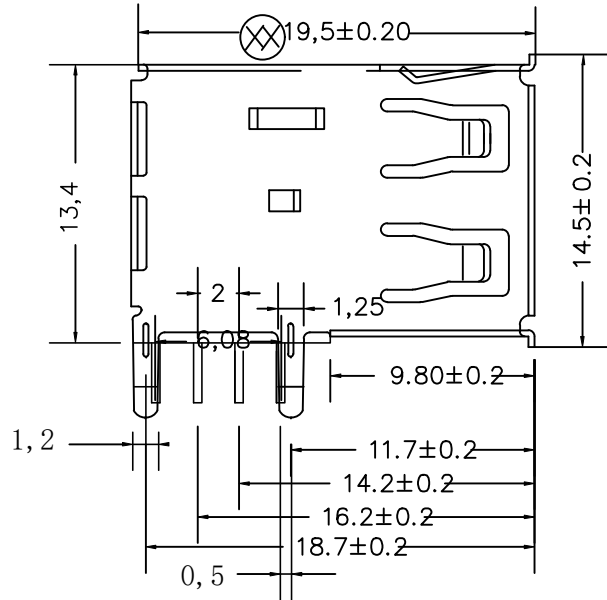
2. ELECTRICAL CHARACTERISTIC:

- 1) INSULATION RESISTANCE: 1000MΩ MIN.
- 2) CONTACT RESISTANCE: 30mΩ MAX.
- 3) WITHSTANDING VOLTAGE: 500V AC.

3. MECHANICAL CHARACTERISTICS:

- 1) INSERTION FORCE: 3.57Kgf MAX.
- 2) EXTRACTION FORCE: 1.02Kgf MIN.

ORDERING INFORMATION



UNLESS OTHERWISE SPECIFIED TOLERANCES

DECIMALS: ANGLES:  
 X :±0.30 X :±2°  
 X.X :±0.20 X.X :±1°  
 X.XX :±0.10



东莞市汉博电子科技有限公司  
 DONGGUAN HANBO TECHNOLOGY CO., LTD

TITLE	USB 侧插长体19.6卷边		
DWN	xiong	PART NO.	USB-U263-BJS
CHKD	lee	SCALE:1:1	UNIT: mm
APVD	wang	SIZE: A4	SHEET:1OF 1

CUSTOMER COPY