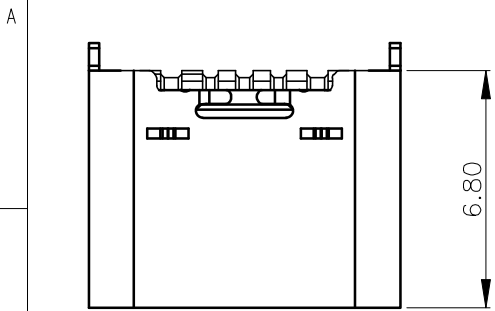
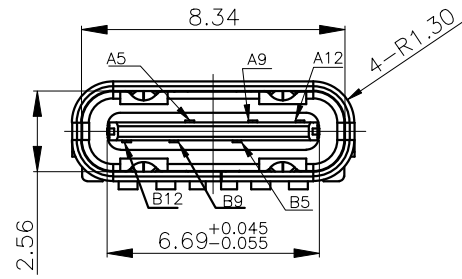
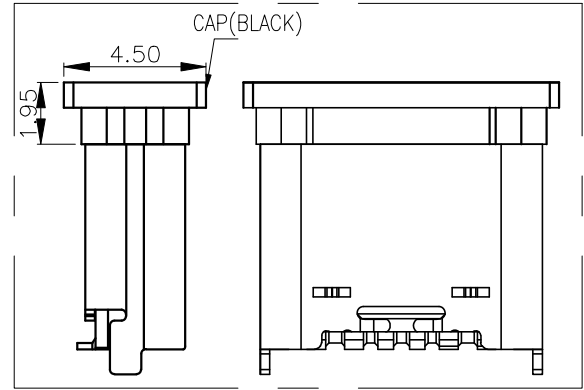
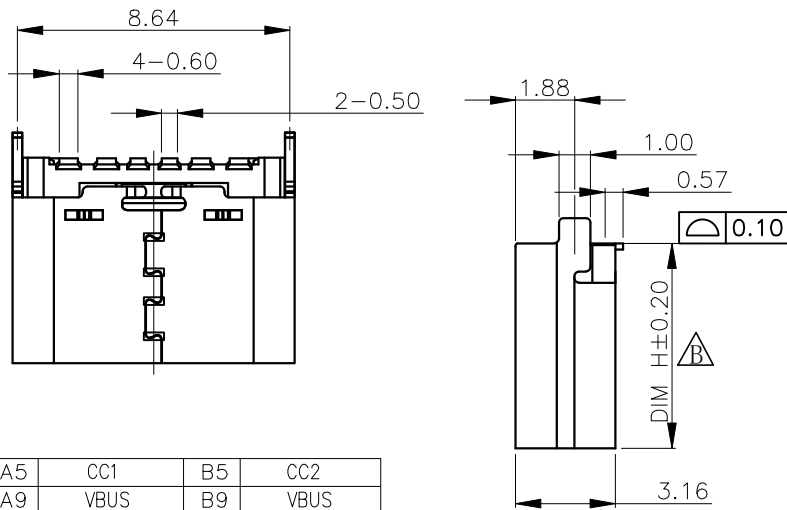




REV.	ECN NO OR DESCRIPTION	REVISED	DATE



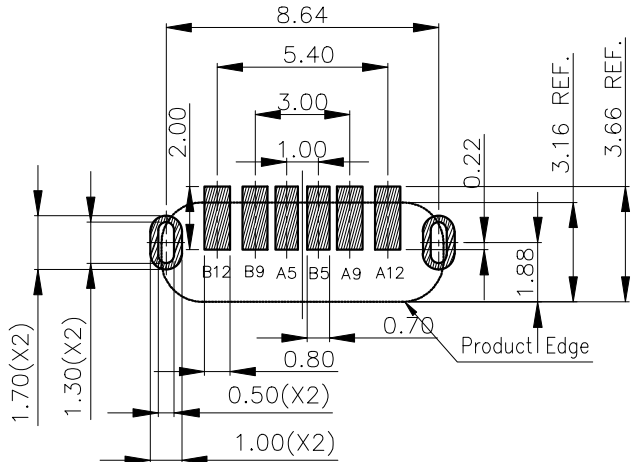
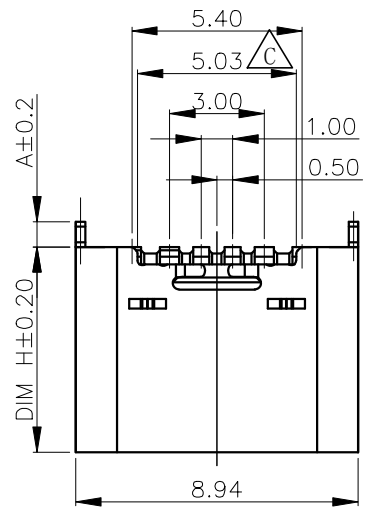
H=6.80



A5	CC1	B5	CC2
A9	VBUS	B9	VBUS
A12	GND	B12	GND
PIN	SIGNAL NAME	PIN	SIGNAL NAME

SPECIFICATION:

- Material:
 - HOUSING&MOLDING:LCP, UL94 V-0
 - CONTACTS:C5191R-H
 - SHELL:SUS, T=0.30
- Mechanical:
 - 2.1. Mating force: 5~20Nf Max. ;
 - 2.2. Unmating force: 6~20Nf Min. ;
 - 2.3. Durability: 3000 Cycles;
- Electrical:
 - 3.1. Current Rating: 3A Max. ;
 - 3.2. Voltage Rating: 20V Max. ;
 - 3.3. Dielectric Withstanding volage: 100VAc;
 - 3.4. Contact resistance: 40m Ohms Max. ;
 - 3.5. Insulation Resistance: 100M Ohms Min. ;
- Environmental:
 - 4.1. Operating temperature: -40° C~+85° C;
 - 4.2. Wetting Temperature: 265±5° C, 5±0.5s



Recommend PCB Layout
(Tol.:±0.05,T=1.0±0.05mm)

UNLESS OTHERWISE SPECIFIED TOLERANCES

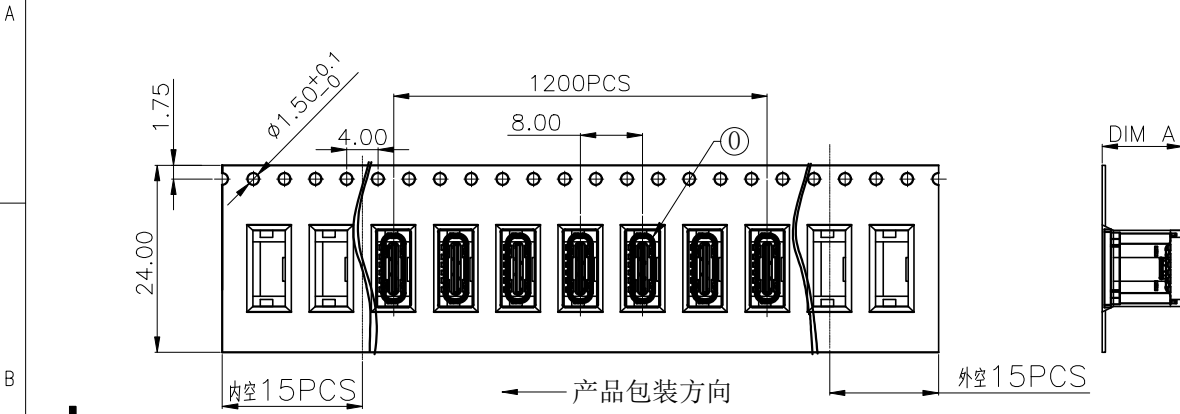
DECIMALS:	ANGLES:
X±0.50	X :±2°
.X±0.35	X.X :±1°
.XX±0.25	
.XXX±0.15	

东莞市汉博电子科技有限公司
DONGGUAN HANBO TECHNOLOGY CO., LTD

TITLE	USB TYPE C 6PIN SMT 立贴		
DWN	xiong	PART NO. MC-306LS	
CHKD	lee	SCALE:1:1	UNIT: mm
APVD	wang	SIZE: A4	SHEET:10F 1
REV: A4			
CUSTOMER COPY			

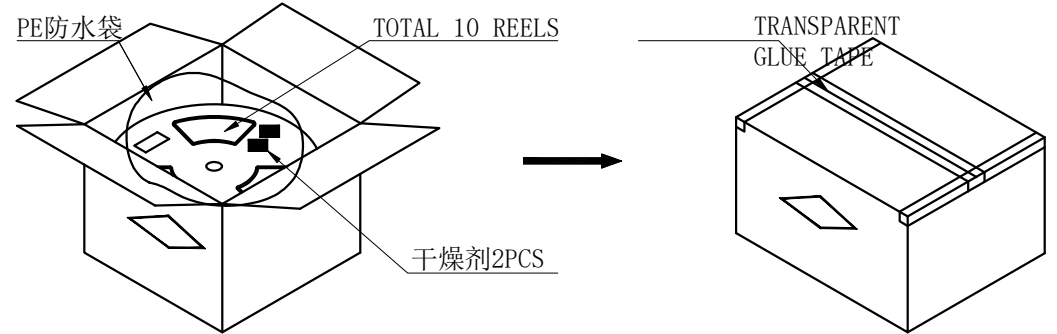
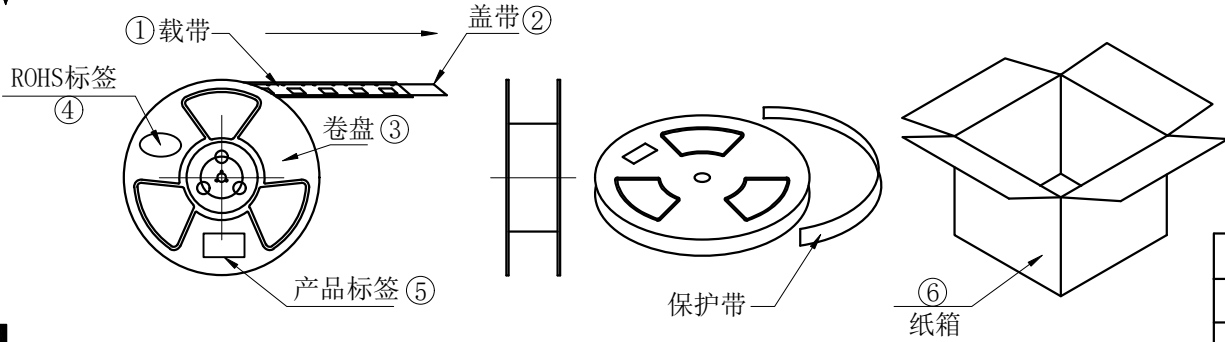


REV.	ECN NO OR DESCRIPTION	REVISED	DATE



说明:

1. 每卷前后各空15PCS, 尾部用美纹胶纸封住;
2. 将产品放满盘后, 再卷一圈保护带, 用美纹胶纸将其封住, 并贴上1Pcs物料标签;
3. 每10卷盘一叠共12000Pcs装入1个外箱内;
4. 在搬运过程中要轻拿轻放;
5. 在运输中不可堆放过多(1.8M最高), 不可重压;
6. 跌落测试条件:
成品箱从1.2米高度自由落体(一角三棱六面):
a. 产品不可跑出下带凹槽;
b. 产品不可有摔伤, 变形;
c. 内包装材料不可严重破损.



NO.	NAME	SPEC	Q' TY
①	TYPE C 6P母座成品		12000PCS/箱
②	载带	W=24mm, T=0.40mm	1200PCS/盘
③	盖带	W=21.3mm	
④	卷盘	380*100*24.4mm	10PCS/箱
⑤	ROHS标签		10PCS/箱
⑥	产品标签		10PCS/箱
⑦	纸箱	390*390*310mm	12000PCS/箱

UNLESS OTHERWISE SPECIFIED TOLERANCES

东莞市汉博电子科技有限公司
DONGGUAN HANBO TECHNOLOGY CO., LTD

DECIMALS: X±0.50 .X±0.35 .XX±0.25 .XXX±0.15	ANGLES: X :±2° X.X :±1°	TITLE USB TYPE C 6PIN SMT 立贴	DWN xiong	PART NO. MC-306LS	CHKD lee	SCALE: 1:1	UNIT: mm	APVD wang	SIZE: A4	SHEET: 1OF 1	REV: A4
CUSTOMER COPY											