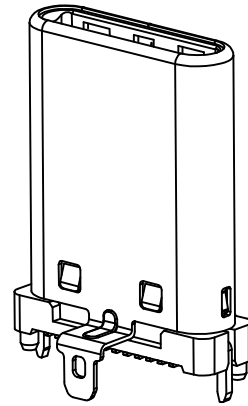
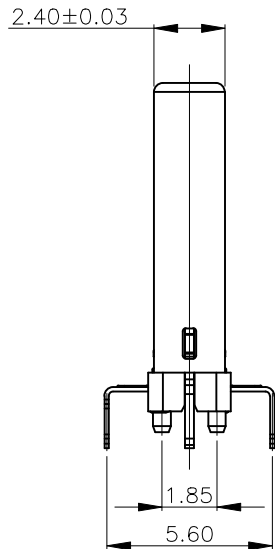
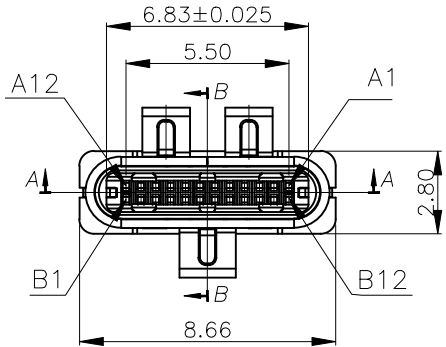


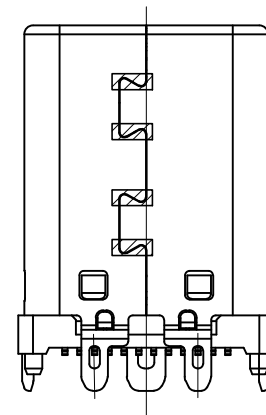
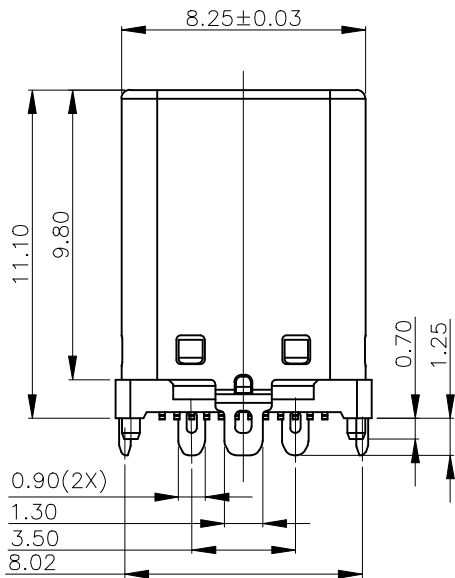


REV.	ECN NO OR DESCRIPTION	REVISED	DATE

A

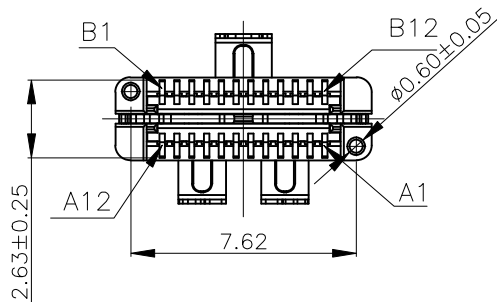


B



C

D



NOTE:

1. MATERIAL SPECIFICATION:

- 1. HOUSING&PICKUP COVER: LCP, UL94 V-0. BLACK
- 2. CONTACTS: SEE TABLE 1
- 3. LATCH: STAINLESS STEEL (SUS301)
- 4. SPRING: STAINLESS STEEL (SUS304)
- 5. FRONT SHELL: STAINLESS STEEL (SUS304)

2. PLATING SPECIFICATION:

- 2-1. CONTACTS:
 - Ni 50u" MIN. UNDER PLATED OVER ALL.
 - Au PLATED ON THE FUNCTIONAL AREA OF CONTACT.
 - (GOLD PLATING THICKNESS FOLLOW THE P/N)
 - PLATING SPECIFICATIONS OF THE SOLDER AREA FOLLOW THE P/N

2-2. FRONT SHELL:

- Ni 30u" MIN. UNDER PLATED OVER ALL.

2-3. LATCH:

- Ni 50u" MIN. UNDER PLATED OVER ALL.
- 80u" MIN. TIN PLATED ON SOLDER AREA.

2-4. SPRING:

CLEAR ONLY

3. MECHANICAL PERFORMANCE:

- 3-1. INSERTION FORCE: 0.5~2.0kgf.
- 3-2. REMOVAL FORCE: 0.8kgf~2.0kgf.
- 3-3. DURABILITY: 10000 CYCLES.

4. ELECTRICAL PERFORMANCE:

- 4-1. CURRENT RATING: SEE TABLE 1
- VOLTAGE RATING: 5.0V
- 4-2. LLCR:
 - VBUS & GND PINS AND OTHER PINS: 40mΩ/PIN MAX.
 - SHIELD: 50mΩ/MAX.
 - LLCR MAX. CHANGE OF ALL PINS: 10mΩ.
- 4-3. INSULATION RESISTANCE: 100MΩ MIN
- 4-4. DIELECTRIC WITHSTAND VOLTAGE, AC 100V FOR 1 MINUTE.

5. ENVIRONMENTAL PERFORMANCE:

OPERATING TEMPERATURE: -25° C~+85° C.

6. IR REFLOW:

THE PEAK TEMPERATURE ON THE BOARD SHALL BE MAINTAINED FOR 10 SECONDS AT 260° C.

UNLESS OTHERWISE SPECIFIED TOLERANCES

DECIMALS:	ANGLES:
X : ±0.30	X : ±2°
X.X : ±0.20	X.X : ±1°
X.XX : ±0.10	



东莞市汉博电子科技有限公司
DONGGUAN HANBO TECHNOLOGY CO., LTD

TITLE	USB CM VERTICAL TYPE HIGHT=11.1			
DWN	xiong	PART NO. MC-239		
CHKD	lee	SCALE:1:1	UNIT: mm	⊕ ≡
APVD	wang	SIZE: A4	SHEET:10F 1	REV: A4

CUSTOMER COPY

1

2

3

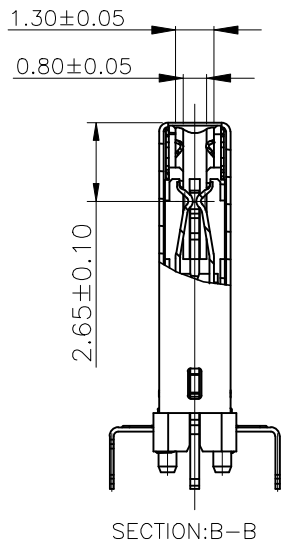
4

5

6

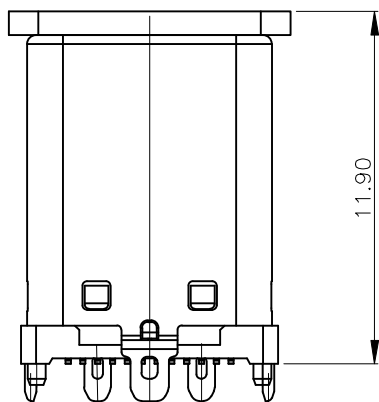
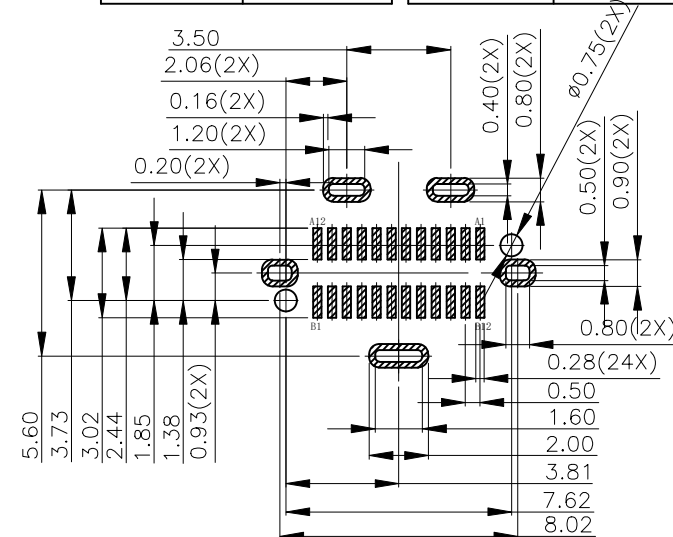
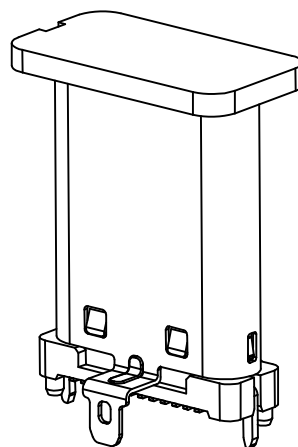
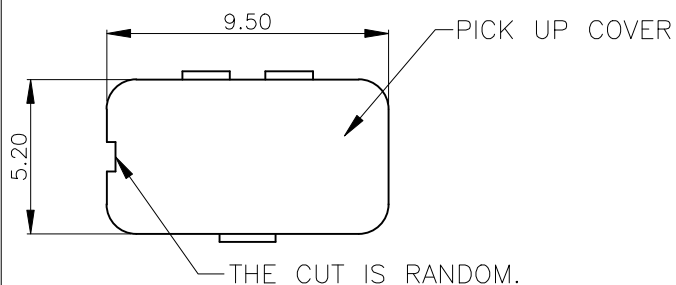
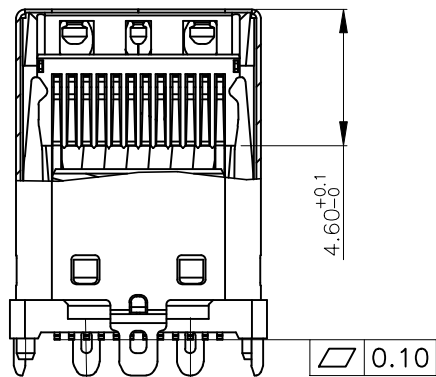


REV.	ECN NO OR DESCRIPTION	REVISED	DATE



USB TYPE-C PIN ASSIGNMENTS

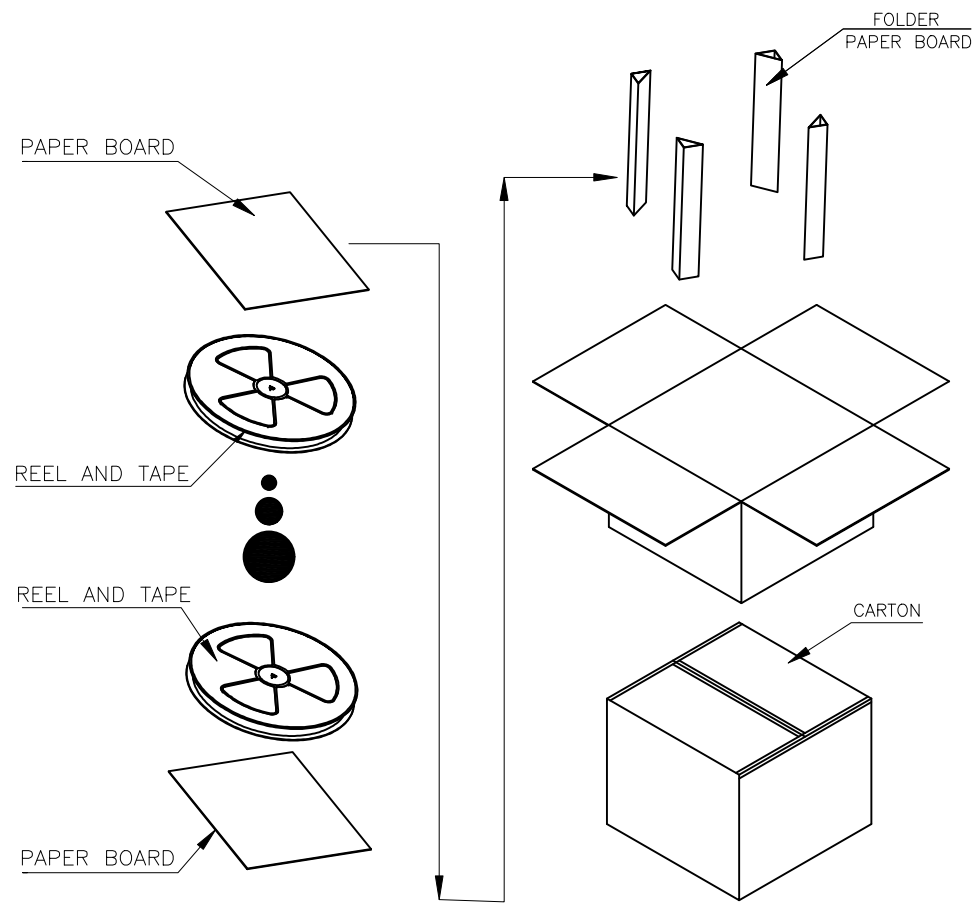
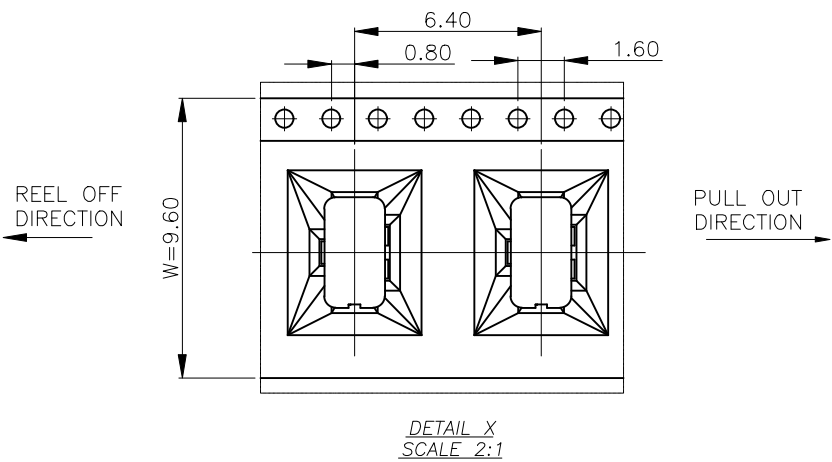
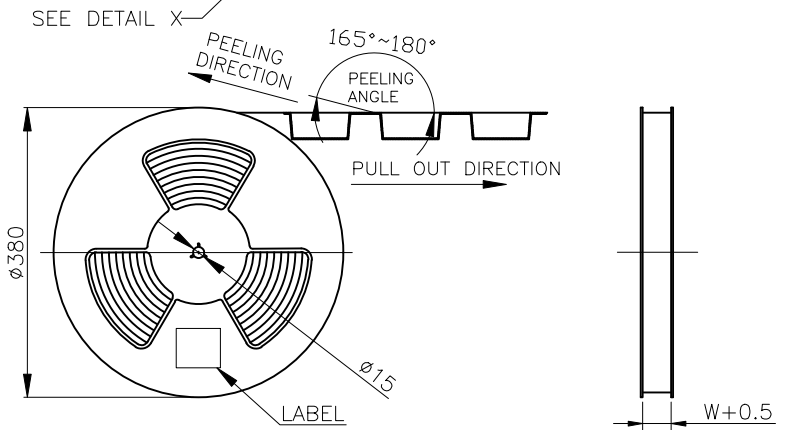
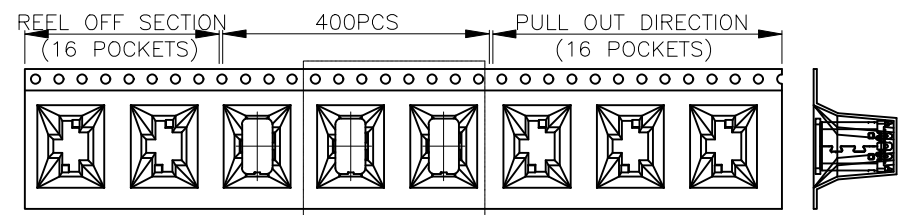
PIN NUMBER	SIGNAL NAME	PIN NUMBER	SIGNAL NAME
A1	GND	B12	GND
A2	SSTXp1	B11	SSRXp1
A3	SSTXn1	B10	SSRXn1
A4	Vbus	B9	Vbus
A5	CC1	B8	SBU2
A6	Dp1	B7	Dn2
A7	Dn1	B6	Dp2
A8	SBU1	B5	CC2
A9	Vbus	B4	Vbus
A10	SSRXn2	B3	SSTXn2
A11	SSRXp2	B2	SSTXp2
A12	GND	B1	GND



UNLESS OTHERWISE SPECIFIED TOLERANCES		东莞市汉博电子科技有限公司 DONGGUAN HANBO TECHNOLOGY CO., LTD			
DECIMALS:	ANGLES:	TITLE USB CM VERTICAL TYPE HIGHT=11.1			
X :±0.30	X :±2°	DWN	xiong	PART NO. MC-239	
X.X :±0.20	X.X :±1°	CHKD	lee	SCALE:1:1	UNIT: mm
X.XX :±0.10		APVD	wang	SIZE: A4	SHEET:10F 1
		REV: A4			
CUSTOMER COPY					



REV.	ECN NO OR DESCRIPTION	REVISED	DATE



		REEL/TRAY	CARTON		
CONNECTOR (PCS)		400	4000		
UNLESS OTHERWISE SPECIFIED TOLERANCES		东莞市汉博电子科技有限公司 DONGGUAN HANBO TECHNOLOGY CO., LTD			
DECIMALS:	ANGLES:	TITLE USB CM VERTICAL TYPE HIGHT=11.1			
X :±0.30	X :±2°	DWN	xiong	PART NO. MC-239	
X.X :±0.20	X.X :±1°	CHKD	lee	SCALE:1:1	UNIT: mm
X.XX :±0.10		APVD	wang	SIZE: A4	SHEET:10F 1
REV: A4					
CUSTOMER COPY					