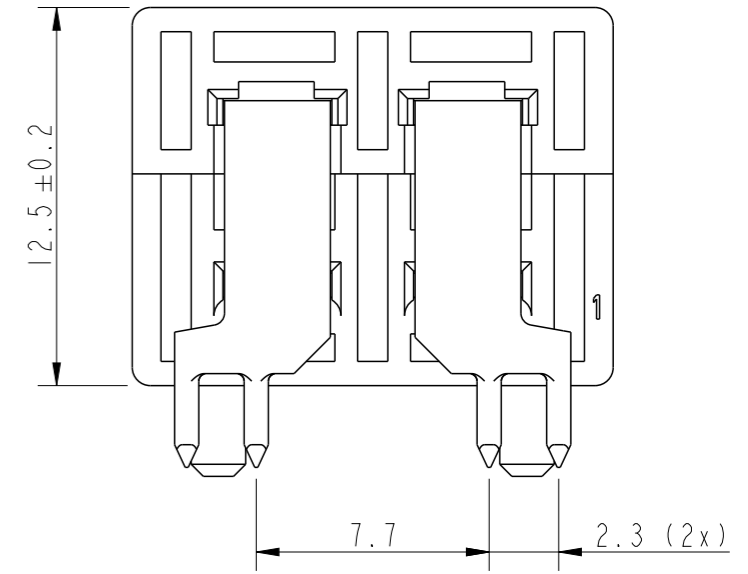
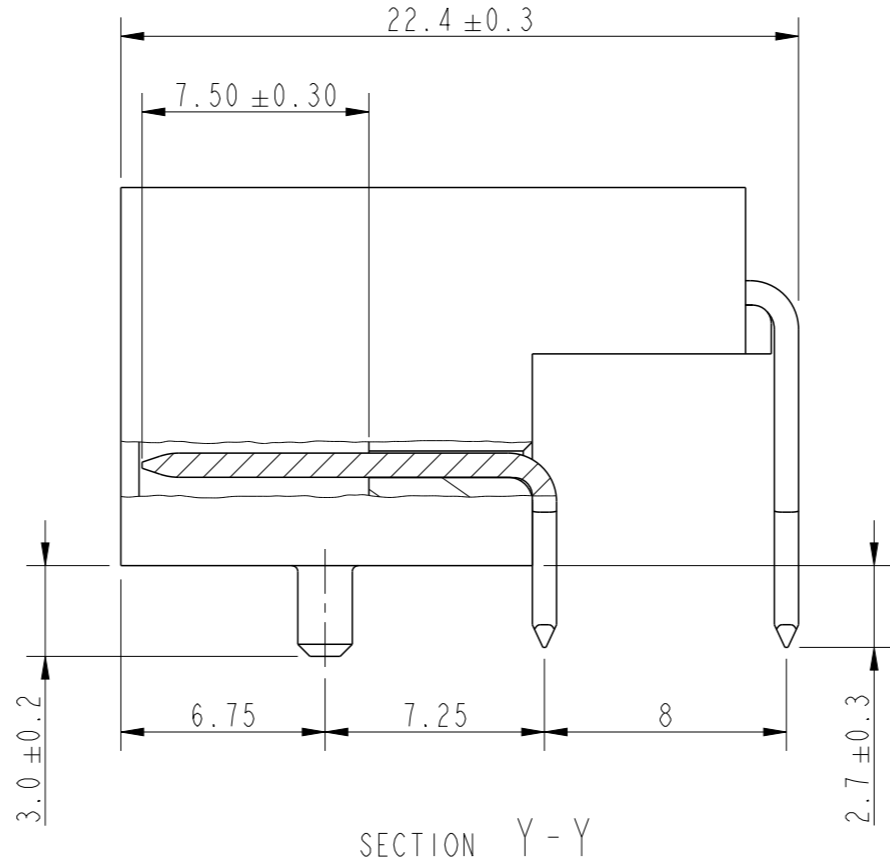
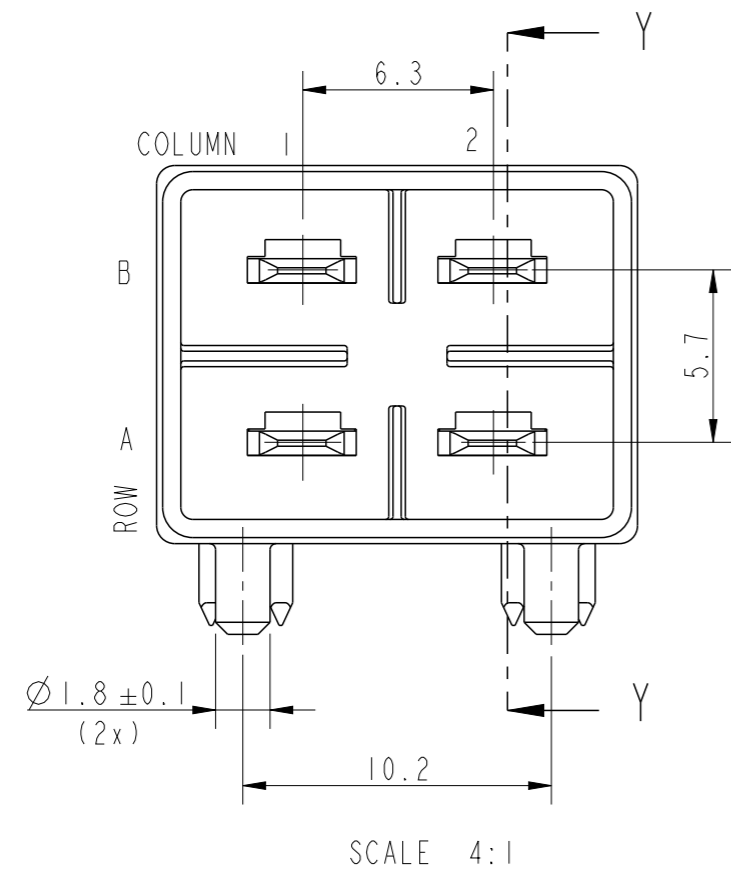


PRODUCT NUMBER  
SEE TABLE ON THIS PAGE



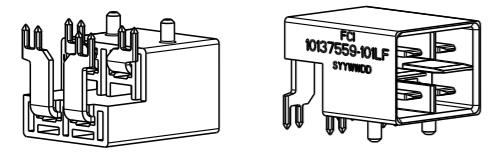
PART NO.	ROW	COLUMN	
		1	2
10137559-101LF	B	X	X
	A	X	X
10137559-102LF	B	X	-
	A	X	X
10137559-103LF	B	-	X
	A	X	X

'X' INDICATES CONTACT LOADING POSITION



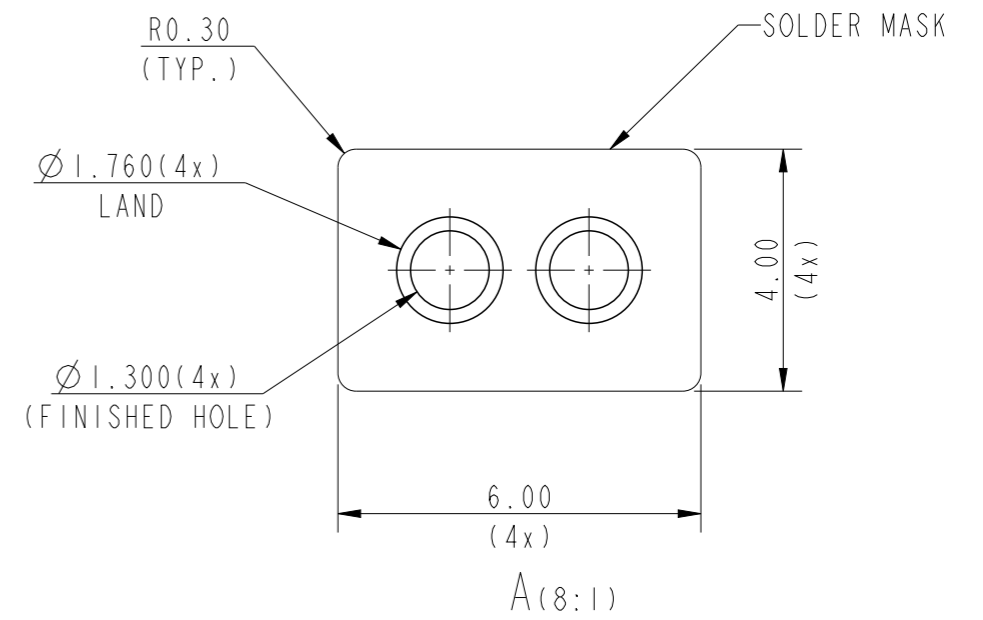
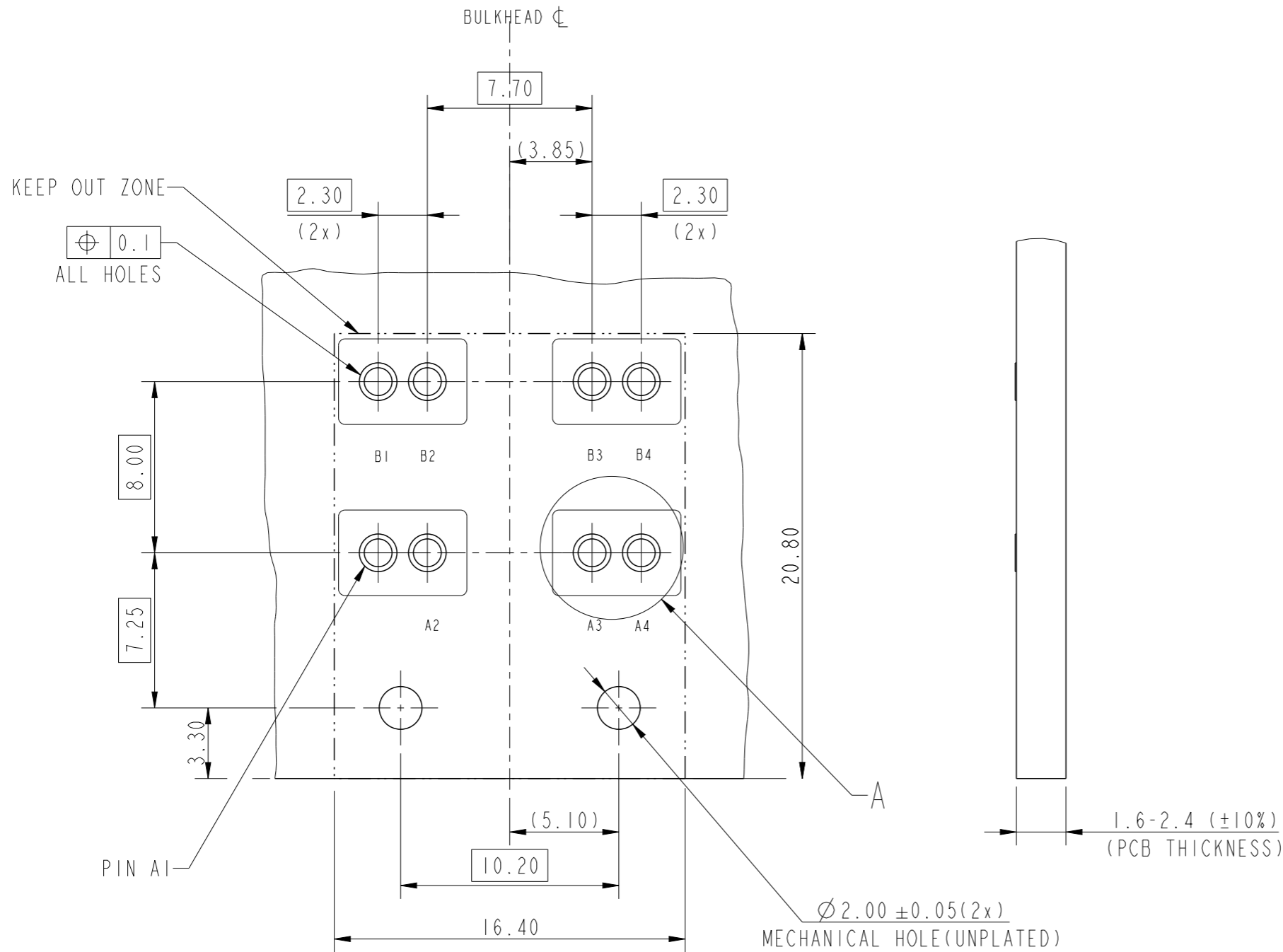
Amphenol  
FCi

© 2016 AFCI



spec ref	-	dr	Jibin John	2016/11/04	projection	mm	size	A3	scale	2:1		
tolerance std	ISO 406 ISO 1101	eng	Varghese, Bone	2018/05/07			ecn no	ELX-I-30092-1	rel level	Released		
TOLERANCES UNLESS OTHERWISE SPECIFIED		chr	-	2018/05/07							product family	OCTIS
surface	linear	0.X	±0.3	<b>Amphenol FCi</b>	title POWER RIGHT ANGLE 2X2 BOARD CONNECTOR WITH PIP TERMINATION	dwg no 10137559	rev E					
		0.XX	±0.13					cat. no.	-	Product - Customer Drw	sheet 1 of 4	
	angular	0°	±2°									

# VIEW FROM COMPONENT SIDE



## NOTES:

- MATERIAL :  
- RESIN - LCP, GLASS FILLED, FLAME RETARDANT ACC  
FLAMMABILITY CLASSIFICATION - UL94-V0  
- POWER CONTACTS - COPPER ALLOY
- PLATING :  
- PURE TIN ON POWER CONTACTS
- PRODUCT SPECIFICATION: GS-12-1413 & GS-12-1339
- APPLICATION SPECIFICATION: GS-20-0454
- PACKAGING - TAPE & REEL
- UNDER PLATING FOR CONTACTS IS 1.27µm NICKEL.
- PRODUCT WILL WITHSTAND EXPOSURE TO 260° FOR 60 SECONDS IN A CONVECTION, INFRA RED OR VAPOUR PHASE REFLOW OVEN
- PRODUCT WHERE THE PARTNUMBER ENDS IN LF MEETS EUROPEAN DIRECTIVES AND OTHER COUNTRY REGULATIONS AS DESCRIBED IN GS-47-0004.

1.6-2.4 (±10%)  
(PCB THICKNESS)

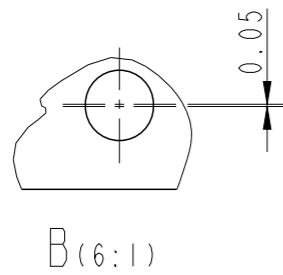
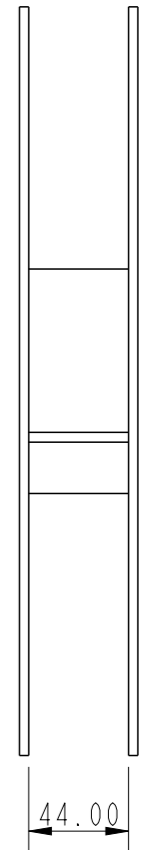
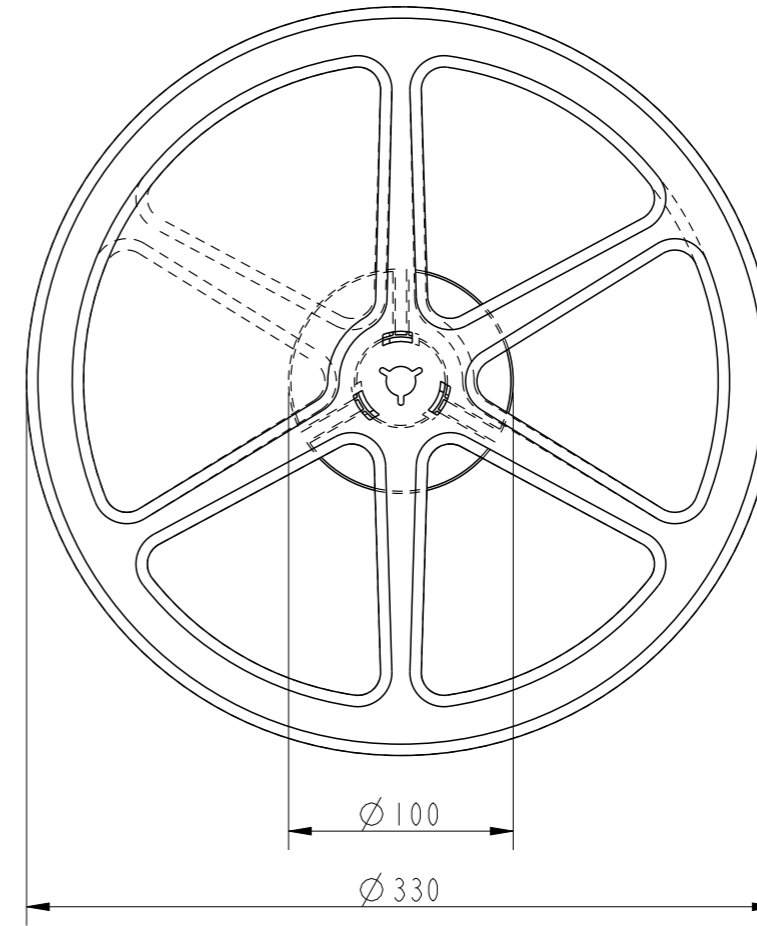
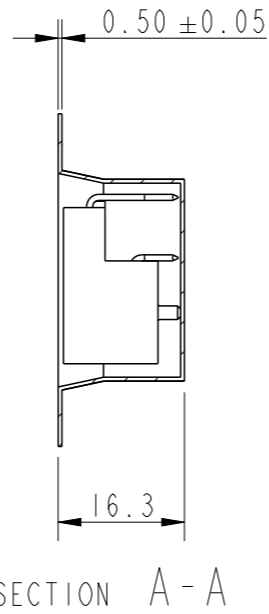
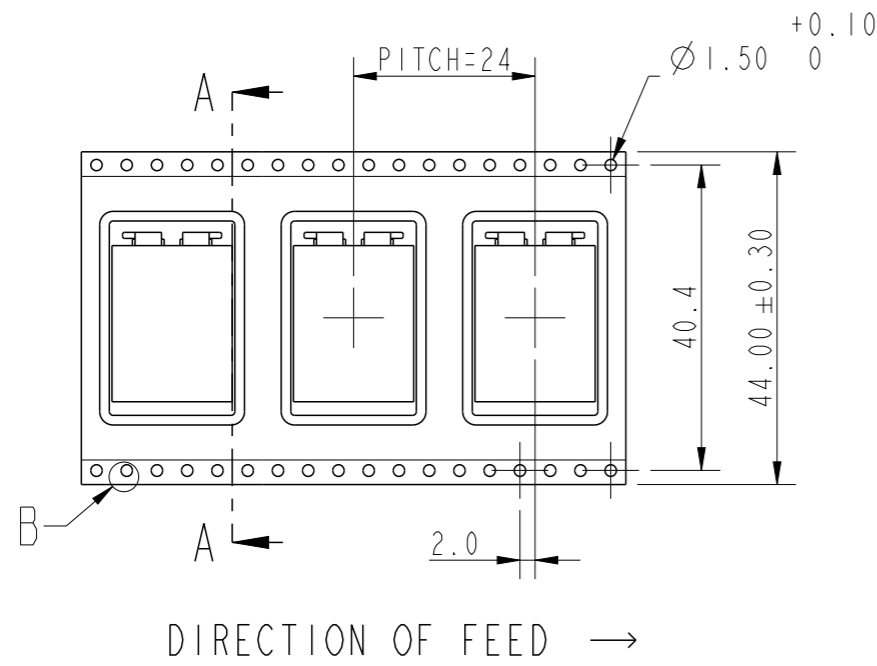
SCALE 4:1

NOTE: ABOVE PCB IS FOR P/N 10137559-101LF  
FOR 10137559-102LF, REMOVE THE HOLES B3, B4  
FOR 10137559-103LF, REMOVE THE HOLES B1, B2

POWER PTH DETAILS	
DRILLED HOLE	1.37-1.42mm
COPPER PLATING	25-50µm
TIN PLATING	0.8-1.2µm
FINISHED HOLE DIA	1.25-1.35mm

spec ref	-	dr	Jibin John	2016/11/04	projection	mm	size	A3	scale	2:1
tolerance std	ISO 406 ISO 1101	eng	Varghese, Bone	2018/05/07			ecn no	ELX-I-30092-1	rel level	Released
TOLERANCES UNLESS OTHERWISE SPECIFIED		chr	-	2018/05/07						
surface	linear	0.X	±0.3		POWER RIGHT ANGLE 2X2 BOARD CONNECTOR WITH PIP TERMINATION	dwg no	10137559	rev	E	
		0.XX	±0.13							
		0.XXX	±0.050							
	angular	0°	±2°	cat. no.	-	Product - Customer Drw	sheet 2 of 4			

# PACKAGING SPECIFICATION



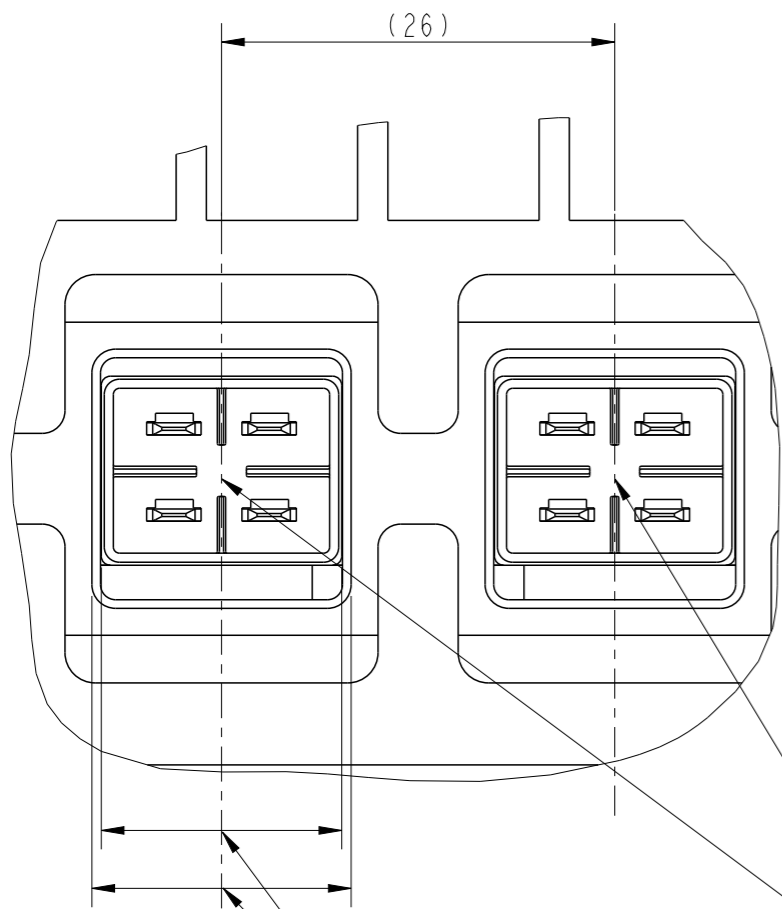
## TAPE & REEL PACKING DETAILS

### NOTES:

1. PACKAGING DETAILS AS PER EIA-481 STD.
2. PACKING SHOULD BE ANTISTATIC.
3. MATERIAL :  
CARRIER TAPE : POLYSTYRENE  
COVER TAPE : POLYSTYRENE

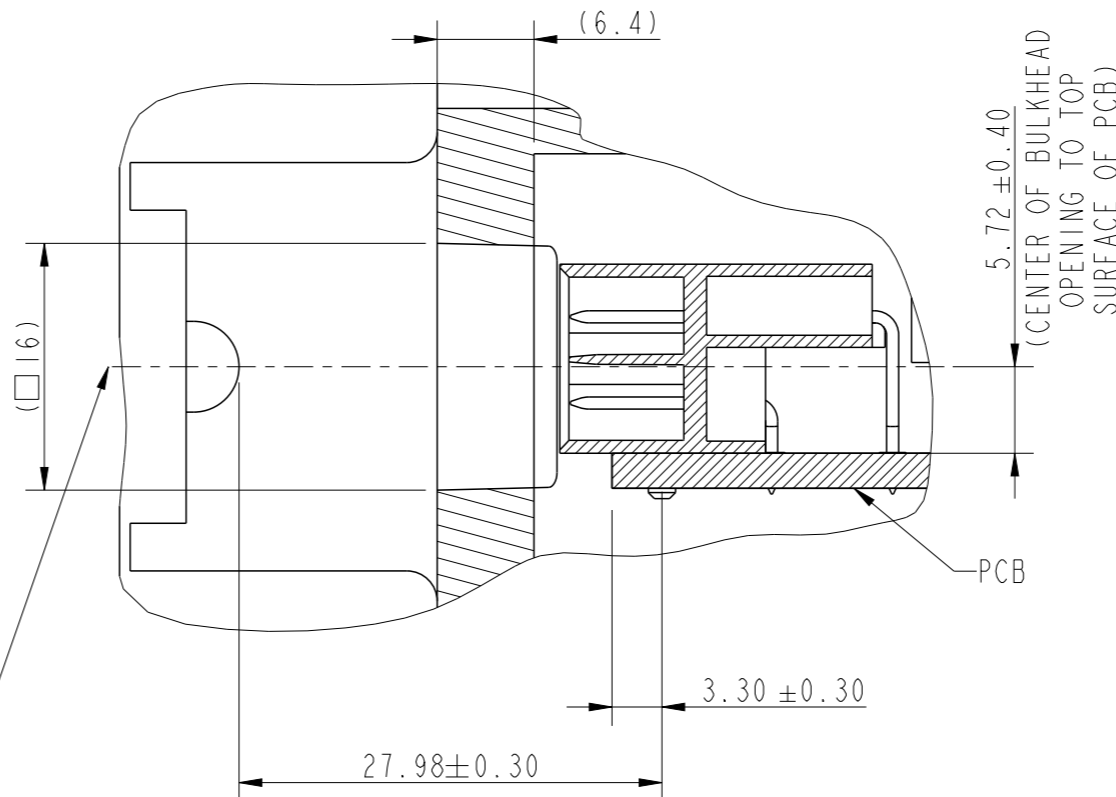
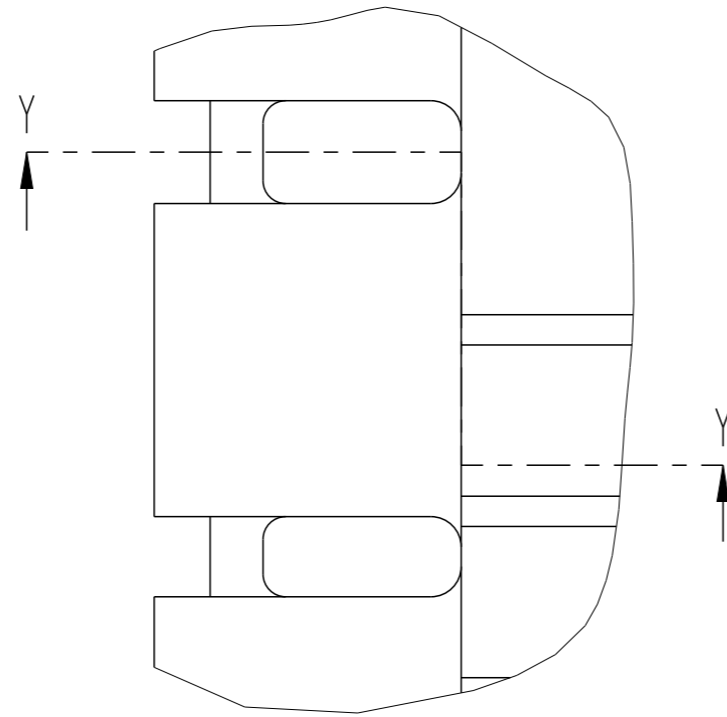
spec ref	-			dr	Jibin John	2016/11/04	projection	mm	size	A3	scale	2:1
tolerance std	TOLERANCES UNLESS OTHERWISE SPECIFIED			eng	Varghese, Bone	2018/05/07			ecn no		ELX-I-30092-1	
ISO 406				chr	-					rel level		Released
ISO 1101				appr	K-Paul Biju	2018/05/07	product family		OCTIS			
surface		linear	0.X	±0.3		POWER RIGHT ANGLE 2X2 BOARD CONNECTOR WITH PIP TERMINATION	cat. no. -	Product - Customer Drw	dwg no 10137559	rev E		
			0.XX	±0.13								
ISO 1302	angular	0°	±2°									
sheet 3 of 4												

BOARD CONNECTOR  
WITH BULKHEAD

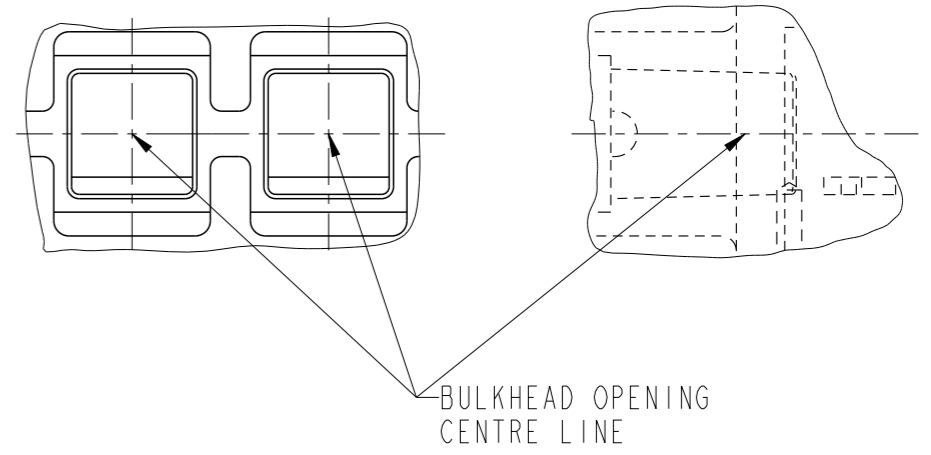


±0.60  
CENTERING OF THE BOARD  
CONNECTOR WITH BULKHEAD  
CAVITY

BULKHEAD OPENING  
CENTRE LINE



SECTION Y-Y



BULKHEAD OPENING

BULKHEAD OPENING  
CENTRE LINE

spec ref	-	dr	Jibin John	2016/11/04	projection	mm	size	A3	scale	2:1
tolerance std	ISO 406 ISO 1101	eng	Varghese, Bone	2018/05/07			ecn no	ELX-I-30092-1		
TOLERANCES UNLESS OTHERWISE SPECIFIED		chr	-	-			product family	OCTIS	rel level	Released
surface	linear	0.X	±0.3	<b>Amphenol FCi</b>	POWER RIGHT ANGLE 2X2 BOARD CONNECTOR WITH PIP TERMINATION		rel level	Released		
		0.XX	±0.13				cat. no.	-	Product - Customer Drw	sheet 4 of 4
	angular	0°	±2°				dwg no	10137559	rev	E