

INCH-POUND

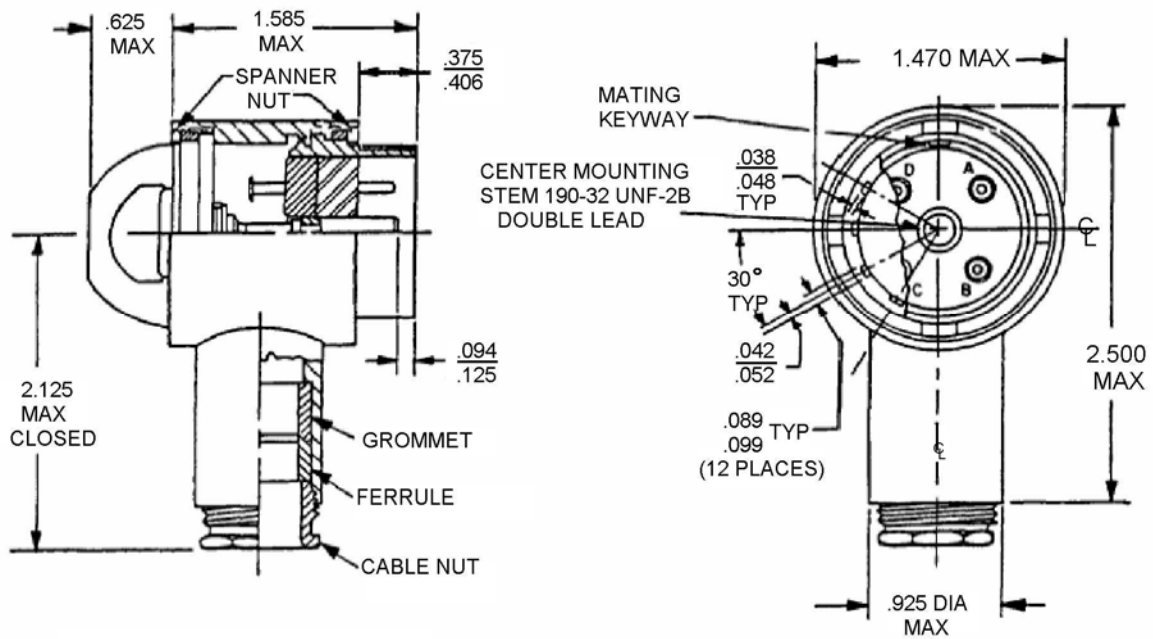
MIL-DTL-55181/3D
10 March 2008
SUPERSEDING
MIL-C-55181/3C
23 June 1986

DETAIL SPECIFICATION SHEET

CONNECTOR, PLUG, ELECTRICAL, WATERPROOF,
4 PIN CONTACTS, SOLDER TURRET, 35 AMP

This specification is approved for use by all Departments and Agencies of the Department of Defense.

The requirements for acquiring the product described herein shall consist of this specification sheet and MIL-DTL-55181.



CONNECTOR ASSEMBLY

FIGURE 1. Dimensions and configuration.

AMSC N/A

FSC 5935

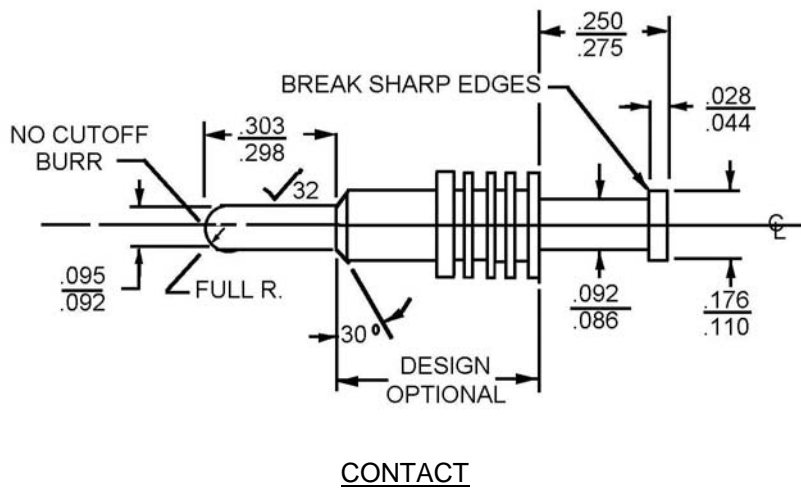
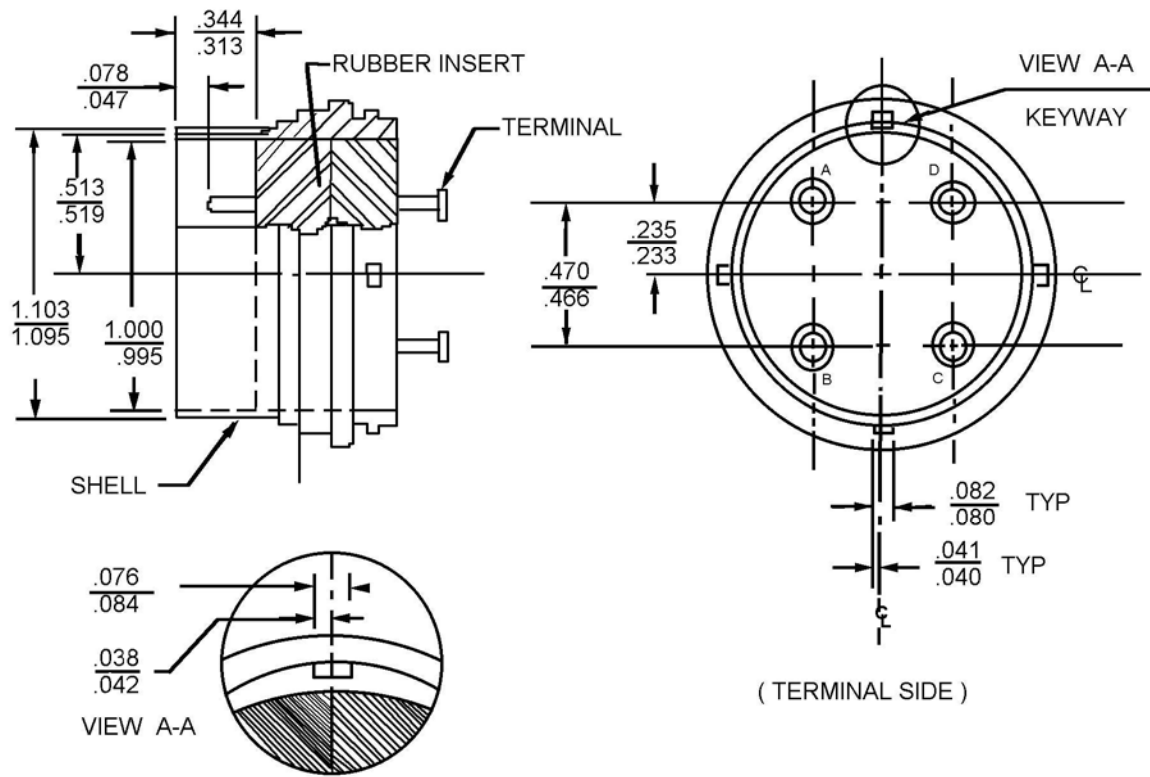


FIGURE 1. Dimensions and configuration - Continued.

MIL-DTL-55181/3D

Inches	mm	Inches	mm	Inches	mm	Inches	mm
.028	0.71	.082	2.08	.235	5.97	.519	13.18
.038	0.96	.084	2.13	.250	6.35	.625	15.87
.040	1.01	.086	2.18	.275	6.99	.925	23.49
.041	1.04	.089	2.26	.298	7.57	.995	25.27
.042	1.06	.092	2.34	.303	7.70	1.000	25.40
.044	1.12	.094	2.39	.313	7.95	1.095	27.81
.047	1.19	.095	2.41	.344	8.74	1.103	28.01
.048	1.22	.099	2.51	.375	9.52	1.470	37.34
.052	1.32	.110	2.79	.406	10.31	1.585	40.26
.076	1.93	.125	3.17	.466	11.83	2.125	53.97
.078	1.98	.176	4.47	.470	11.94	2.500	63.50
.080	2.03	.233	5.92	.513	13.03		

NOTES:

1. Dimensions are in inches.
2. Metric equivalents are given for information only.
3. Unless otherwise specified tolerances are ± 0.005 (0.13 mm) inch for three place decimals and ± 0.1 (0.3 mm) inch for two place decimals.
4. Angular tolerances shall be ± 30 minutes unless otherwise specified.
5. See table I for cable size accommodations.

FIGURE 1. Dimensions and configuration - Continued.

REQUIREMENTS:

Dimensions and configurations: See figure 1 and table I.

Contacts: 35 ampere contact rating, 12 AWG.

Part or Identifying Number (PIN): The PIN shall consist of M55181/3 - (dash number as specified in table I).

TABLE I. Dash numbers, cross reference and mating connector table.

PIN	Type designator ^{1/}	Cable size accommodation		Mating connector	
		MIN	MAX	PIN	Type designator ^{1/}
M55181/3-01	MW10M(M)A11	.292 (7.42)	.343 (8.71)	M55181/4-01	MW20F(M)A00
M55181/3-02	MW10M(M)A13	.323 (8.20)	.406 (10.31)	M55181/4-01	MW20F(M)A00
M55181/3-03	MW10M(M)A17	.448 (11.38)	.531 (13.48)	M55181/4-01	MW20F(M)A00
M55181/3-04	MW10M(M)A19	.511 (12.98)	.593 (15.06)	M55181/4-01	MW20F(M)A00
M55181/3-05	MW10M(M)A15	.386 (9.80)	.468 (11.88)	M55181/4-01	MW20F(M)A00

^{1/} This type designator shall not be referenced for procurement purposes.

MIL-DTL-55181/3D

Changes from previous issue. The margins of this specification are marked with vertical lines to indicate where changes from the previous issue were made. This was done as a convenience only and the Government assumes no liability whatsoever for any inaccuracies in these notations. Bidders and contractors are cautioned to evaluate the requirements of this document based on the entire content irrespective of the marginal notations and relationship to the last previous issue.

CONCLUDING MATERIAL

Custodians:

Army - CR
Navy - EC
Air Force - 11
DLA - CC

Preparing activity:

DLA - CC

(Project 5935-2007-123)

Review activity:

Air Force - 99

NOTE: The activities listed above were interested in this document as of the date of this document. Since organizations and responsibilities can change, you should verify the currency of the information above using the ASSIST Online database at <http://assist.daps.dla.mil>.