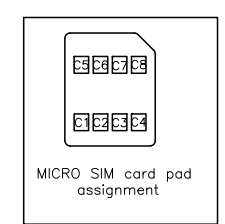
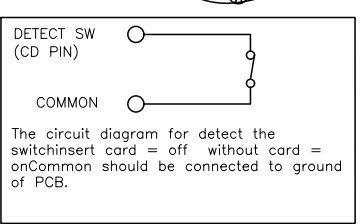
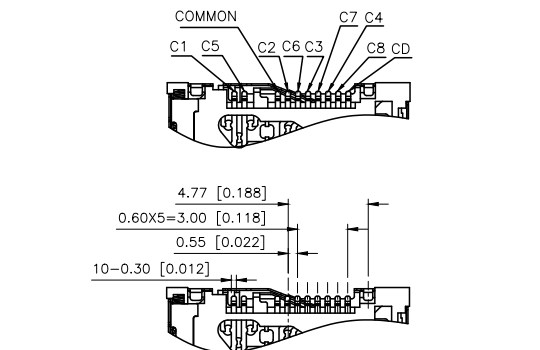
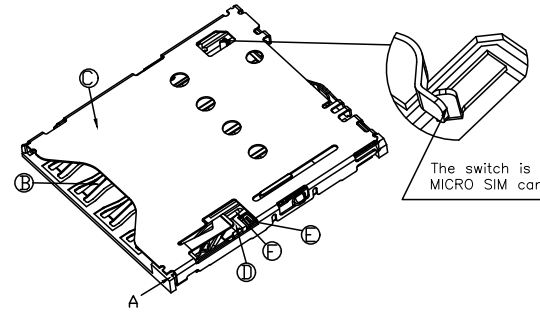
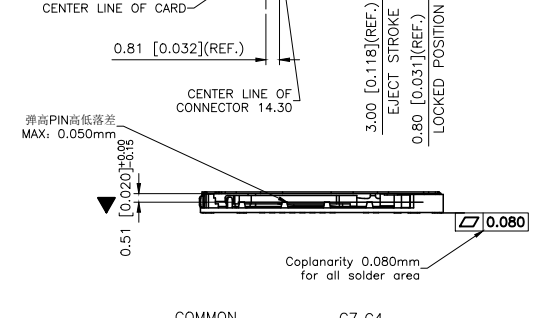
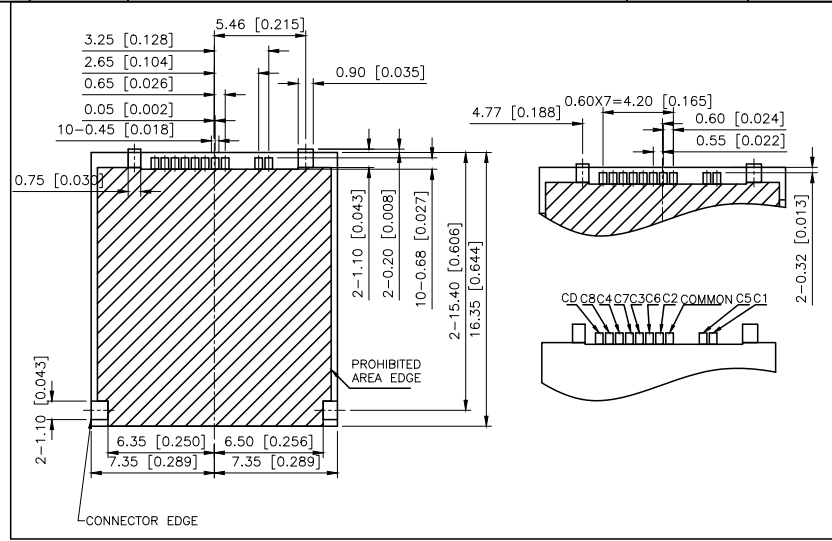
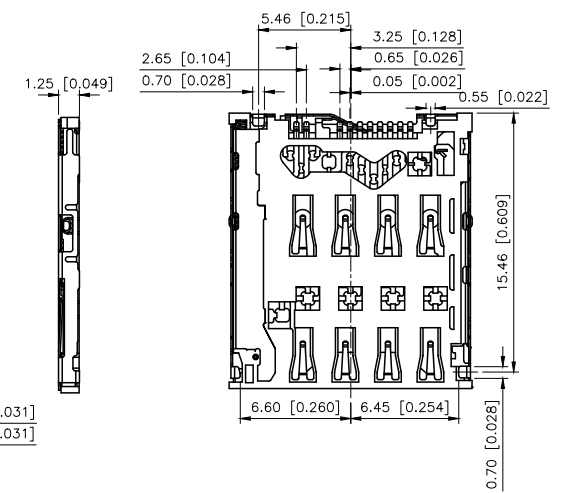
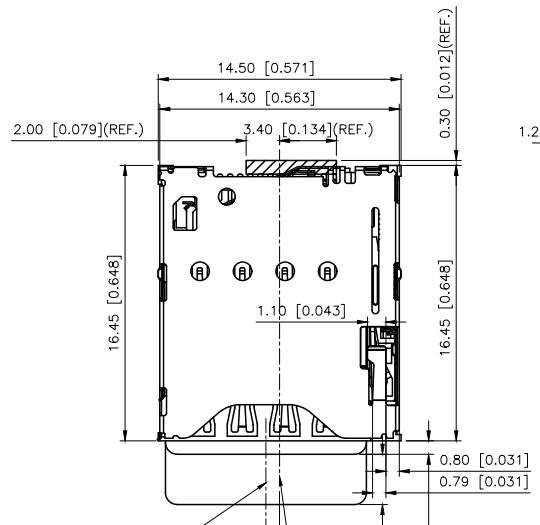


REVISIONS					
REV.	ECN NO.	LOCATION	DESCRIPTION	DATE	DESIGN
A0	N/A		INITIAL RELEASE	/	/
A1	N/A		图面升级整理图面	2025.05.16	阿树



- 规格 SPECIFICATIONS:
- 电气特性 ELECTRICAL CHARACTERISTICS:
 - 1-1. 额定电流 CURRENT RATING: 1A
 - 1-2. 接触电阻 CONTACT RESISTANCE:
 - 1-2-1. 100mΩ MAX. (INITIAL) (FOR C1/C2/C3/C4/C5/C6/C7/C8)
 - 1-2-2. 500mΩ MAX. (INITIAL) (FOR CD/COMMON)
 - 1-3. 绝缘耐压 DIELECTRIC WITHSTANDING VOLTAGE: 500V AC FOR ONE MINUTE.
 - 1-4. 绝缘电阻 INSULATION RESISTANCE: 100MΩ MIN. BY 500V DC.
 - 机械特性 MECHANICAL CHARACTERISTICS:
 - 2-1. 寿命测试 LIFE TEST: 5000 CYCLES MIN.
 - 环境特性 ENVIRONMENTAL CHARACTERISTICS:
 - 3-1. 盐雾试验 SALT MIST TEST CONDITION: PER IEC 68-2-52, SEVERITY(3)
 - 3-2. 工作温度 OPERATING TEMPERATURE: -30°~+80°
 - 3-3. TO CONFORM TO SINGATRON HAZARDOUS SUBSTANCE FREE SPEC.
 - 3-4. RoHS COMPLIANT PRODUCT.
 - 3-5. HALOGEN FREE PRODUCT IDENTIFICATION MARK:
 - 3-6. HALOGEN FREE PRODUCT IDENTIFICATION LABEL ON PACKAGING:

PIN NO.	PIN ASSIGNMENT
C1	SUPPLY VOLTAGE(VCC)
C2	RESET(RST)
C3	CLOCK(CLK)
C4	RESERVED FOR FUTURE USE(RFU)
C5	GROUND(GND)
C6	PROGRAMMING VOLTAGE(VPP)
C7	I/O
C8	RESERVED FOR FUTURE USE(RFU)

F	LINK	1	STAINLESS STEEL T=0.10	N/A
E	SPRING	1	SWP	NICKEL PLATING
D	SLIDE	1	HIGH TEMP.THERMOPLASTIC, UL94V-0 AND STAINLESS STEEL	BLACK
C	SHELL	1	SUS 301 1/2H T=0.1	NICKEL PLATING
B	CONTACT	1	C5210 EH T=0.10 4SM2019-002002	3U" GOLD PLATING ONCONTACT AREA AND SOLDER AREA,50U" MIN NICKEL UNDER PLATING
A	HOUSING	1	LCP+35%GF S475 UL94V-0	BLACK

AuGLAR	±5°
X.	±0.40
X.x	±0.30
X.xx	±0.20
X.xxx	±0.15
UNSPECIFIED TOLERANCES	



DESIGN	阿树	VIEW:		MODEL TYPE:	SIM CARD CONN
CHECKED		UNIT:	mm/in	PART NO.:	XKSIM-1161
APPROVED		SIZE:	A4	DWG NO.:	