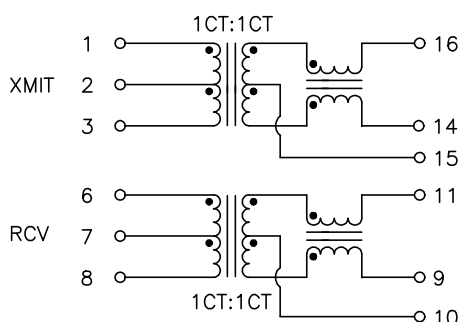


HR641680E

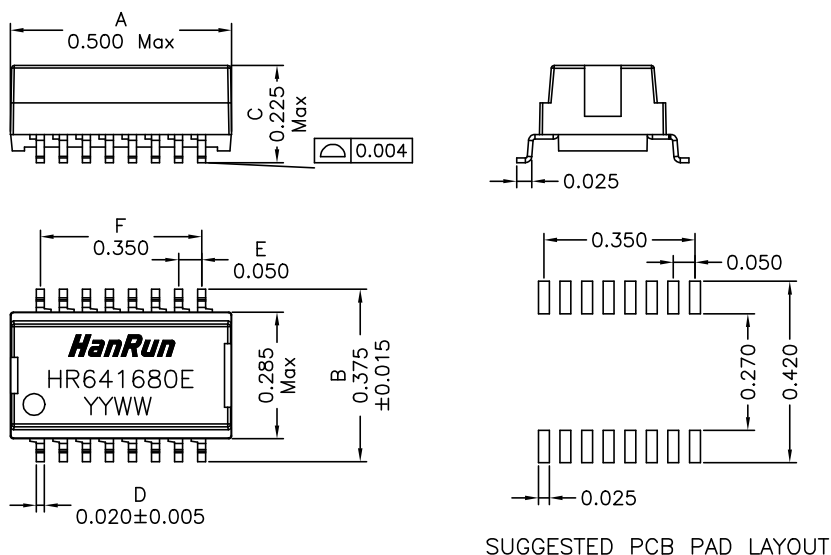
Electrical Specification @25°C

RoHS Compliant (PB Free)
 Operating Temperature Range: -40°C ~ +85°C
 Storage Temperature Range: -40°C ~ +85°C
 Isolation: 1500Vrms 0.5mA 60sec (Primary to Secondary)
 OCL: 350uH Minimum @100KHz 100mV with 8mADC
 Turns Ratio: 1 : 1 ±2% (Primary : Secondary)
 Insertion Loss: -1.0dB Maximum @300KHz ~ 100MHz
 Return Loss: -18dB Minimum @1MHz ~ 30MHz / -14dB Minimum @30MHz ~ 60MHz
 -12dB Minimum @60MHz ~ 80MHz
 -10dB Minimum @80MHz ~ 100MHz
 CMR: -30dB Minimum @1MHz ~ 100MHz
 Crosstalk: -35dB Minimum @1MHz ~ 30MHz / -30dB Minimum @60MHz ~ 100MHz

Schematics



Mechanical Dimensions



Dimensions in inches

Unless otherwise specified, Tolerance: .xxx ±0.010

REV.: 01