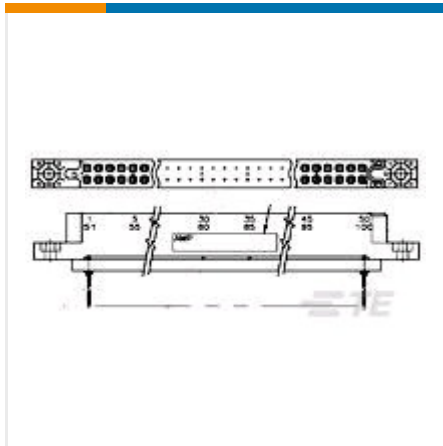




CONNECTORS

BOARD-TO-BOARD HEADERS & RECEPTACLES



✓ Active

TE CONNECTIVITY (TE)

BOX RECP 30 POS STAG

AMP | STA

2-583584-4

TE Internal Number: 2-583584-4

Not EU RoHS Compliant

EU ELV Compliant with Exemptions

Connector Style Receptacle

Number of Positions 30

Centerline (Pitch) 2.54 mm [.1 in]

Packaging Method Package

Contact Mating Area Plating Material Gold

↓ **PRODUCT DRAWING**
English

↓ **3D PDF**

DOCUMENTATION

Product Drawings

RECP ASSY, 1000 SERIES BOX, WITH MOUNTING HOLES, FLOW SOLDER, SOLDER EYELETS, AND 10X20 POSTED CONTACTS

PDF (TIFF AVAILABLE)

English

CAD Files

3D PDF

PDF

3D

Customer View Model

2D_DXF.ZIP

English

Customer View Model

3D_IGS.ZIP

English

Customer View Model

3D_STP.ZIP

English

Product Specifications

Application Specification

Box Header Assemblies And Receptacle Connectors With Contacts On 1.90 Mm [.075 In] And 2.54 Mm [.100 In.] Centerlines

PDF

English

Product Specification

Connectors Using Box Type Contacts

PDF

English

FEATURES



Please review product documents or [contact us](#) for the latest agency approval information.

Please Note: Use the Product Drawing for all design activity.

Product Type Features

Connector Style Receptacle

Sealable No

Connector & Contact Terminates To Wire & Cable

Type II

Gasket Without

Stabilizers Without

PCB Mounting Orientation Vertical

Connector Type Connector Assembly

Boss Without

Hybrid No

Strain Relief Without

Product Type Connector

Configuration Features

Stackable No

Number of Positions 30

Number of Rows 2

Body Features

Post Size .76 x 1.02 mm [.03 x .04 in]

Post Styles Solder Eyelet

Color Blue

Contact Features

Solder Tail Contact Plating Material Tin-Lead over Nickel
Contact Protection Without
Contact Mating Area Plating Material Gold
Contact Mating Area Plating Thickness (µin) 30
Solder Tail Contact Plating Thickness (µin) 100
Contact Base Material Copper-Nickel-Silicon
Contact Type Socket

Termination Features

Termination Method to PC Board Through Hole
Termination Post Length 5.59 mm [.22 in]

Mechanical Attachment

PCB Mount Retention Without

Housing Features

Centerline (Pitch) 2.54 mm [.1 in]
Housing Material Diallyl Phthalate
Housing Color Blue

Dimensions

Height 10.16 mm [.4 in]
Tail Length 5.5 mm [.22 in]
PCB Thickness (Recommended) 2.4 mm [.096 in]

Usage Conditions

Operating Temperature Range (°C) -65 – 125

Operation/Application

Assembly Process Feature None
Pick and Place Cover Without
For Use With Mates with Headers

Industry Standards

Industry Standard Configuration None

Packaging Features

Packaging Method Package
Packaging Quantity 4

PRODUCT COMPLIANCE



Statement of Compliance

Statement of Compliance

PDF
