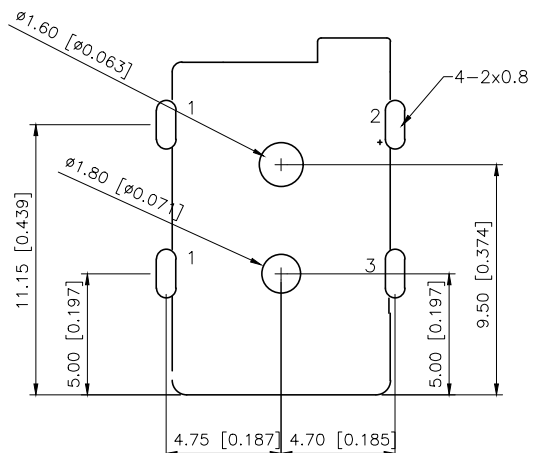
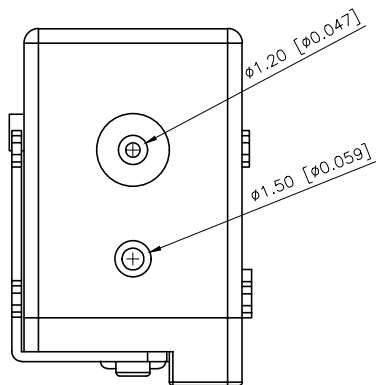
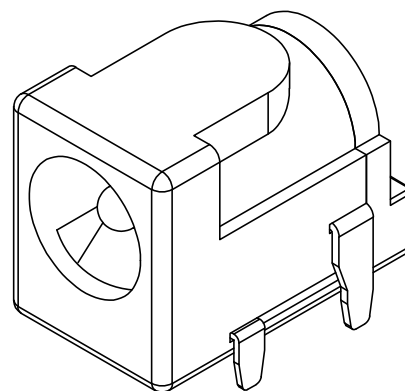
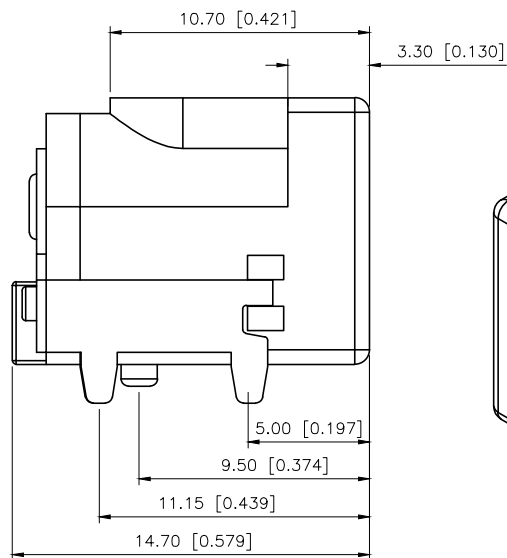
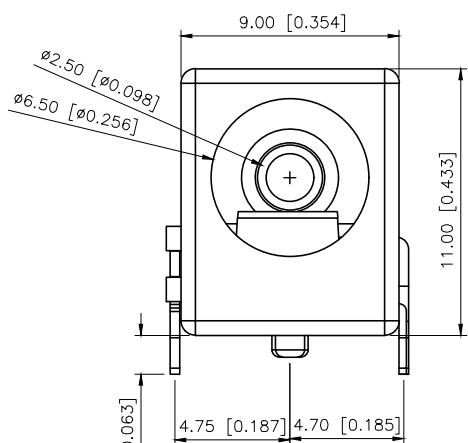


REVISIONS					
REV.	ECN NO.	LOCATION	DESCRIPTION	DATE	DESIGN
A0	N/A		INITIAL RELEASE	/	/
A1	N/A		图面升级整理图面	2025.06.30	阿树



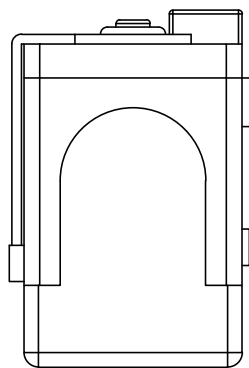
PCB LAYOUT

- 1. Rated load : 12V 5A ;
- 2. Contact Resistance :  $\leq 30m\Omega$ ;
- 3. Insulation Resistance :  $\geq 100M\Omega$ ;
- 4. Voltage withstand : AC500V(50Hz)/min;
- 5. Insertion force : 3~20N;
- 6. life: 5,000次.



SCHEMATIC	1
	2
	3
Model	DC-005D-5A
Center Pin	$\phi 2.0$ mm
	$\phi 2.5$ mm

PART NAME	MATERIAL	PLATING
Plastic	PA9T	
Terminal 3	Brass	Ag
Terminal 2	Phosphor Bronze	Ag
Terminal 1	Brass	Ag
Center pin	Brass	CuSn



AuGLAR	TOLERANCE
X.	$\pm 5^\circ$
X.x	$\pm 0.40$
X.xx	$\pm 0.30$
X.xxx	$\pm 0.20$
UNSPECIFIED TOLERANCE	$\pm 0.15$



DESIGN	阿树	VIEW:		MODEL TYPE:	DC POWER JACK
CHECKED		UNIT:	mm/in	PART NO.:	DC-005D-5A-2.0
APPROVED		SIZE:	A4	DWG NO.:	