

Ordering Information:  
 C4201WVD-F-XP - \*\*\* - \*\* - \*\*\*  
 1 2 3 4

1.Part NO.

2.Material:

(blank): Nylon 66,UL94V-2 (Natural)

V0: Nylon 66,UL94V-0 (White)

GWT: Nylon 66,UL94V-0 (Beige),IEC 60335-1,  
 5th Edition Glow Wire Capable.

46: Nylon 46,UL94V-0 (Beige)

9T: Nylon 9T,UL94V-0 (Beige)

LCP: LCP,UL94V-0 (Beige)

3.Color:

(blank): see section 2 Material

BK:Black RD:Red

YL:Yellow BL:Blue

GN:Green

4.Finish:

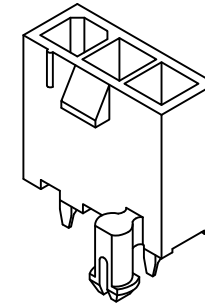
(blank):Tin over Nickel

G:Gold over Nickel(Au:1u")

G3:Gold over Nickel(Au:3u",Mateing area)

G15:Gold over Nickel(Au:15u",Mateing area)

G30:Gold over Nickel(Au:30u",Mateing area)

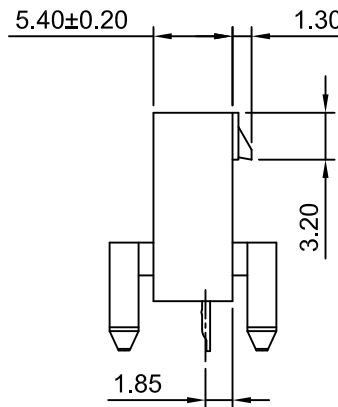


**SPECIFICATIONS:**

Current Rating: 9A AC,DC(Max)  
 Voltage Rating: 600V AC,DC  
 Temperature Range: -40°C ~ +105°C  
 Contact Resistance: 10mΩ Max  
 Insulation Resistance: 1000MΩ Min  
 Withstanding Voltage: 1500V AC/minute  
 Pin Material: Brass

**Ordering Information & Dimensions**

Part NO.	Dimensions(mm)	
	A	B
C4201WVD-F-3P	8.40	13.80
C4201WVD-F-4P	12.60	18.00
C4201WVD-F-5P	16.80	22.20
C4201WVD-F-6P	21.00	26.40



**CJTconn** CHANGJIANG CONNECTORS CO.,LTD.

Unit	Scale	Sheet	TITLE  4.20mm PITCH VERTICAL SINGLE ROW WAFER WITH FOOT - WITHOUT DRAIN HOLES
mm	2:1	1 of 1	
DRWN	CHK'D	APPR	
Dengchun Yi	Dlankul Wan	Jack Yin	DRAWING NO.  C4201WVD-F-XP
General Tolerances			THIRD ANGLE PROJECTION
A1	MODIFY DRAWING	2020.05.13	REV A1
A0	NEW RELEASE	2005.05.10	
REV	DESCRIPTION	DATE	