

Sensor/actuator cable - SAC-3P- 5,0-PUO/A-1L-Z OD - 1407289

Please be informed that the data shown in this PDF Document is generated from our Online Catalog. Please find the complete data in the user's documentation. Our General Terms of Use for Downloads are valid (<http://phoenixcontact.com/download>)




Sensor/actuator cable, 3-position, PUR halogen-free, black RAL 9005, free cable end, on Valve connector A, with 1 LED, connected with Z diode, cable length: 5 m, for outdoor applications, With stainless steel central screw and additional silicone seal (red)

Your advantages

- ✓ Easy and safe: 100% electrically tested plug-in components
- ✓ Robust valve connector with Zener diode as protective circuit
- ✓ Corrosion protection for all exposed metal parts, thanks to the use of stainless steel type 1.4404
- ✓ Robust throughout: resistant to oil, UV, and ozone, withstands temperatures from -20°C to +85°C
- ✓ Convenient: increased machine availability thanks to quick and easy diagnostics

Key Commercial Data

Packing unit	1 pc
GTIN	 4 046356 774079
GTIN	4046356774079

Technical data

Dimensions

Length of cable	5 m
Central screw valve connector	M3 x 29

Ambient conditions

Ambient temperature (operation)	-40 °C ... 85 °C (valve plug)
Degree of protection	IP65
	IP66K (Observe tightening torque)
	IP67
	IP68

General

Rated current at 40°C	4 A
Rated voltage	24 V AC

Sensor/actuator cable - SAC-3P- 5,0-PUO/A-1L-Z OD - 1407289

Technical data

General

	24 V DC
Number of positions	3
Color handle area	black
Insulation resistance	≥ 100 MΩ
Standards/regulations	Valve connector EN 175301-803
Status display	1 LED
Protective circuit/component	Z diode
Overvoltage category	III
Degree of pollution	3
Torque	0.6 Nm ... 0.8 Nm (Valve connector)
Tightening torque	0.8 Nm for IP66K

Material

Flammability rating according to UL 94	V0
Valve plug contact material	CuSn
Valve plug contact surface material	Sn
Valve plug contact insert material	PA 6.6
Material housing valve plug	TPU
Sealing material	TPU (Seal molded)
	Silicon (Seal snapped in)

Standards and Regulations

Standard designation	Valve connector
Standards/regulations	EN 175301-803
Flammability rating according to UL 94	V0

Cable

Cable type	PUR halogen-free black
Cable type (abbreviation)	PUO
Cable abbreviation	Li9Y11Y
Conductor cross section	3x 0.5 mm ²
AWG signal line	20
Conductor structure signal line	16x 0.20 mm
Core diameter including insulation	2 mm ±0.05 mm
Wire colors	black 1, black 2, green/yellow
Overall twist	3 wires, twisted
External sheath, color	black RAL 9005
External cable diameter D	5.9 mm ±0.1 mm
Minimum bending radius, fixed installation	10 x D
Minimum bending radius, flexible installation	15 x D
Outer sheath, material	PUR
Material conductor insulation	PP

Sensor/actuator cable - SAC-3P- 5,0-PUO/A-1L-Z OD - 1407289

Technical data

Cable

Conductor material	Tin-plated Cu litz wires
Insulation resistance	70 GΩ*km
Conductor resistance	≤ 40.1 Ω/km
Nominal voltage, cable	300 V
Test voltage Core/Core	3000 V (Spark test)
Halogen-free	in accordance with DIN VDE 0472 part 815
	According to EN 50267-2-1
Resistance to oil	According to DIN EN 50306
	According to DIN EN 60811-2-1, 138 h at 100°C
Other resistance	UV resistant
	hydrolysis and microbe resistant
	Good resistance to aggressive media
Ambient temperature (operation)	-40 °C ... 105 °C (cable, fixed installation)
	-15 °C ... 105 °C (cable, flexible installation)

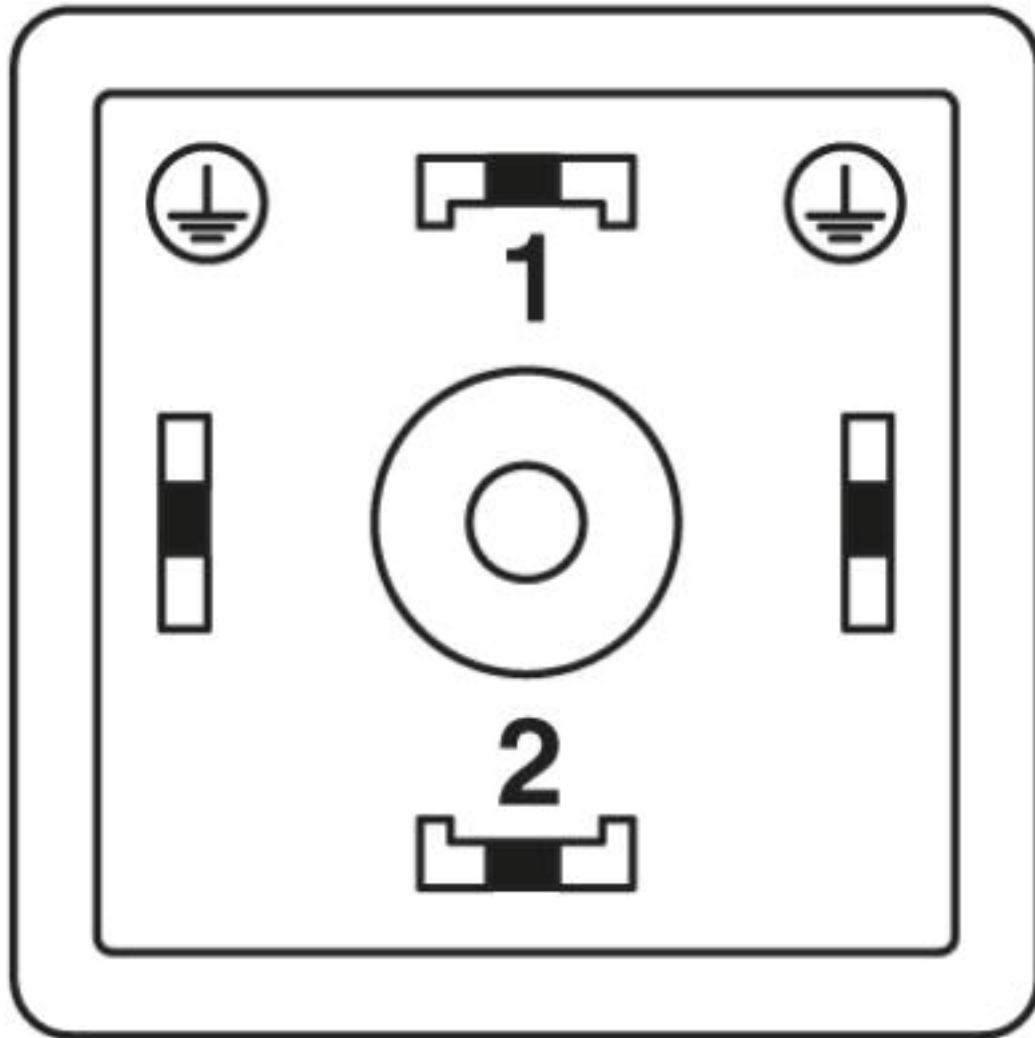
Environmental Product Compliance

China RoHS	Environmentally Friendly Use Period = 50
	For details about hazardous substances go to tab "Downloads", Category "Manufacturer's declaration"

Drawings

Sensor/actuator cable - SAC-3P- 5,0-PUO/A-1L-Z OD - 1407289

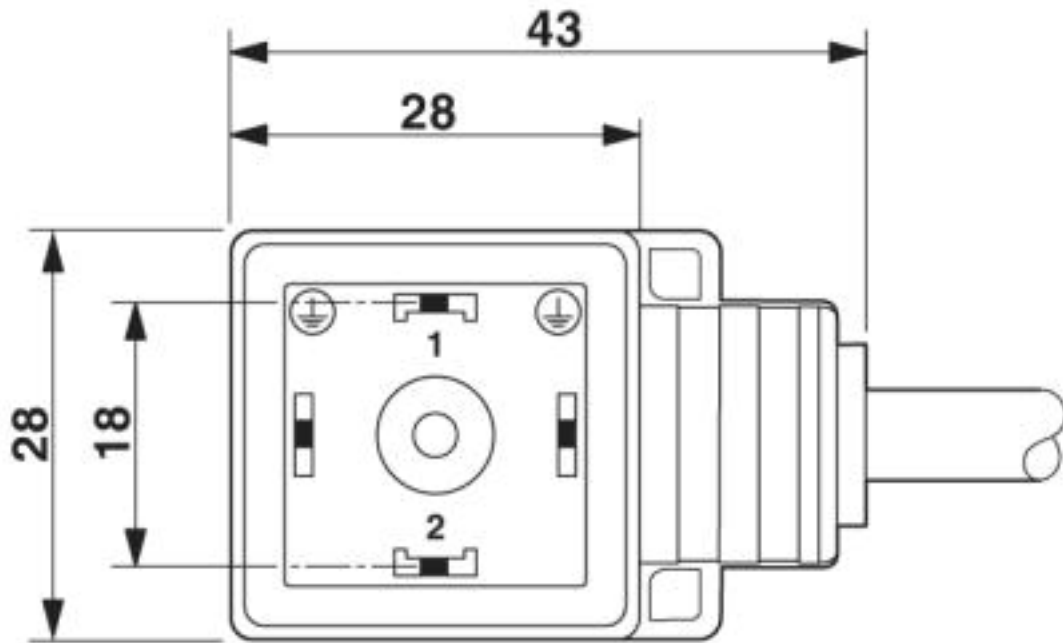
Schematic diagram



Valve connector pin assignment, type A

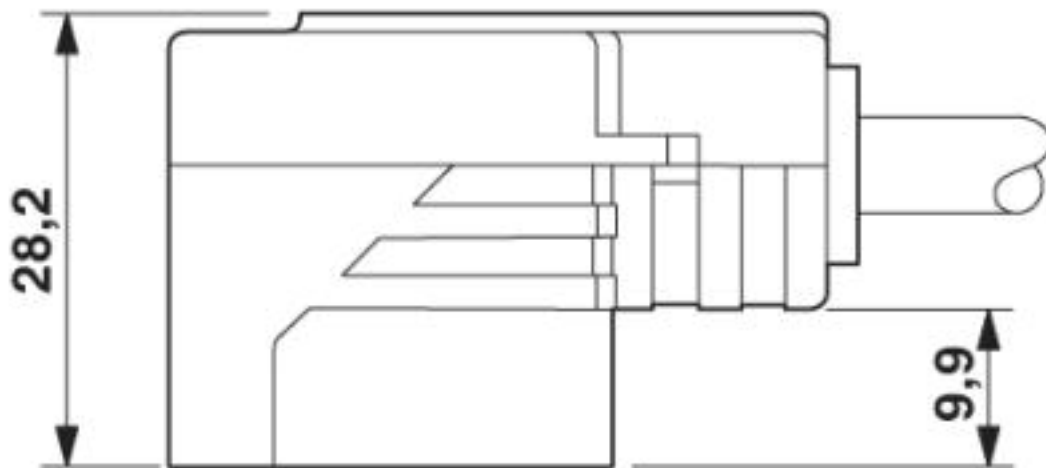
Sensor/actuator cable - SAC-3P- 5,0-PUO/A-1L-Z OD - 1407289

Dimensional drawing



Valve connector, type A

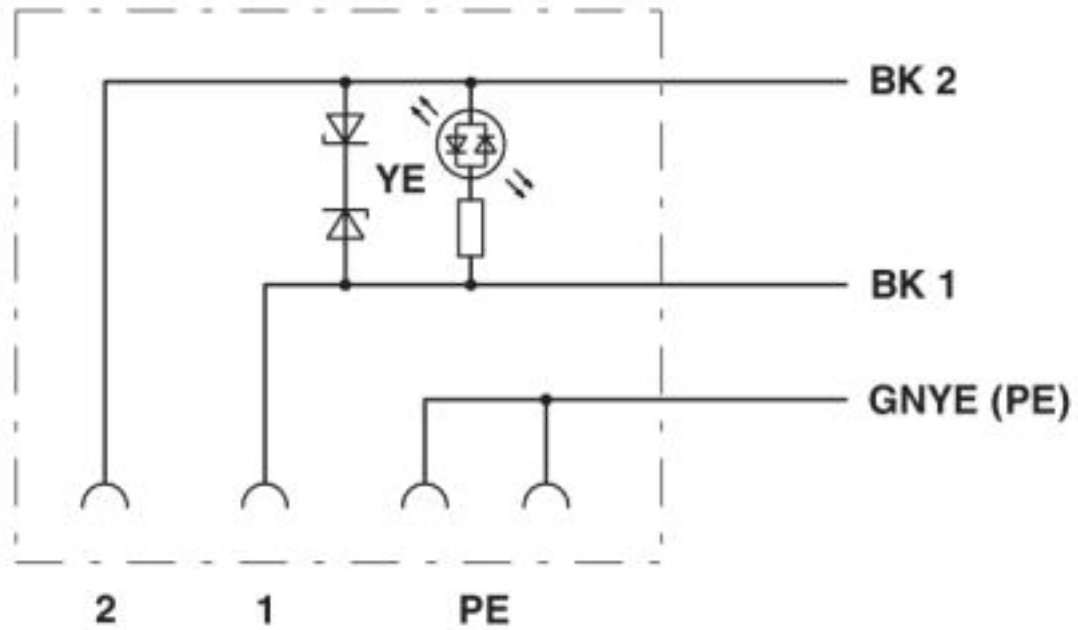
Dimensional drawing



Valve connector, type A, side view

Sensor/actuator cable - SAC-3P- 5,0-PUO/A-1L-Z OD - 1407289

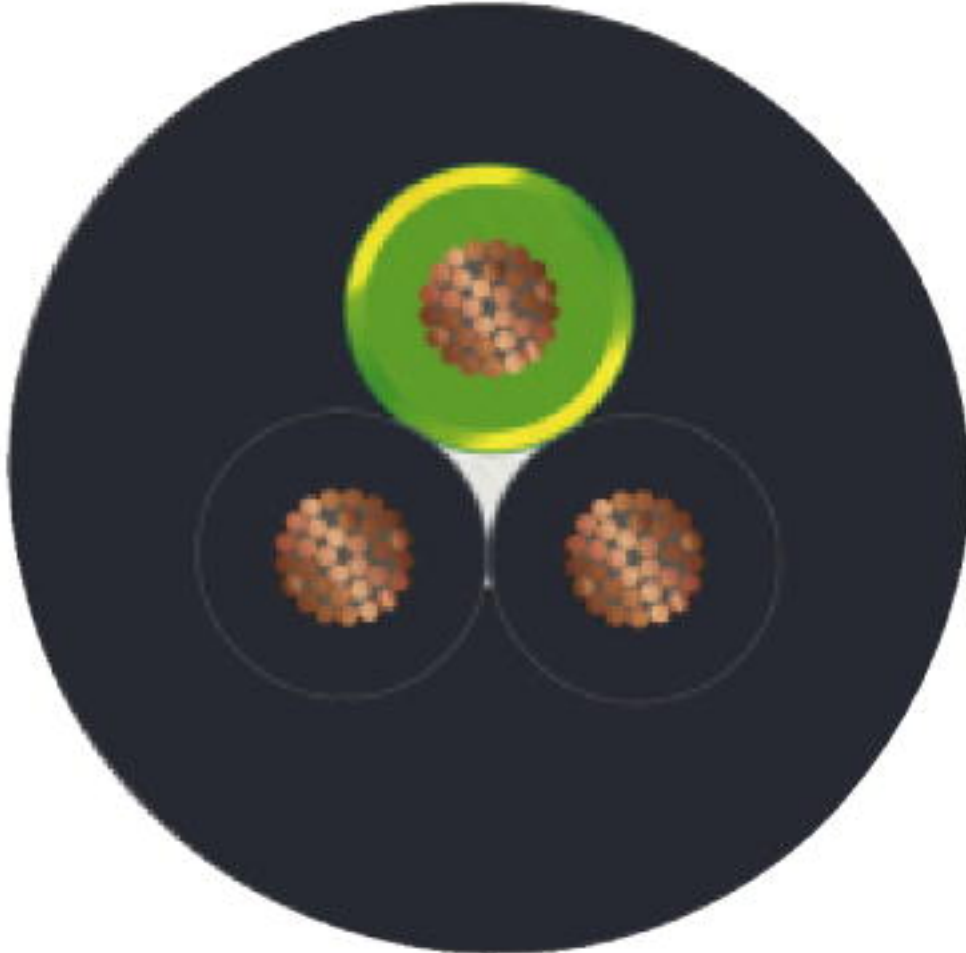
Circuit diagram



Contact assignment of the valve plug

Sensor/actuator cable - SAC-3P- 5,0-PUO/A-1L-Z OD - 1407289

Cable cross section



PUR halogen-free black [PUO]

Approvals

Approvals

Approvals


CSAus / EAC

Ex Approvals

Approval details

Sensor/actuator cable - SAC-3P- 5,0-PUO/A-1L-Z OD - 1407289

Approvals

CSAus		http://www.csagroup.org/services-industries/product-listing/	13631
Nominal voltage UN		24 V	
Nominal current IN		4 A	

EAC		RU C- DE.BL08.B.00286
-----	---	--------------------------

Phoenix Contact 2019 © - all rights reserved
<http://www.phoenixcontact.com>

PHOENIX CONTACT GmbH & Co. KG
Flachsmarktstr. 8
32825 Blomberg
Germany
Tel. +49 5235 300
Fax +49 5235 3 41200
<http://www.phoenixcontact.com>