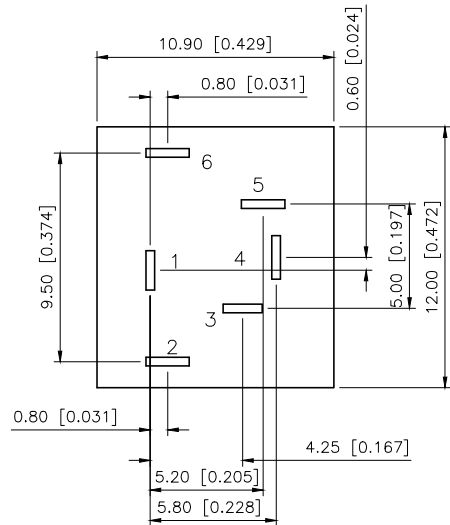
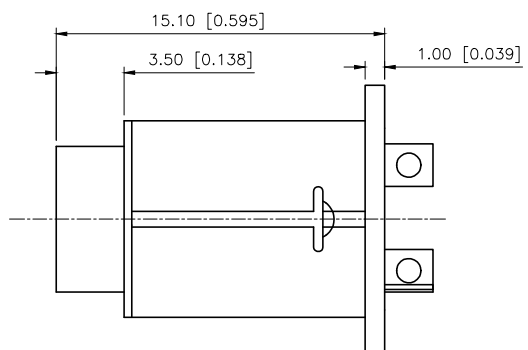
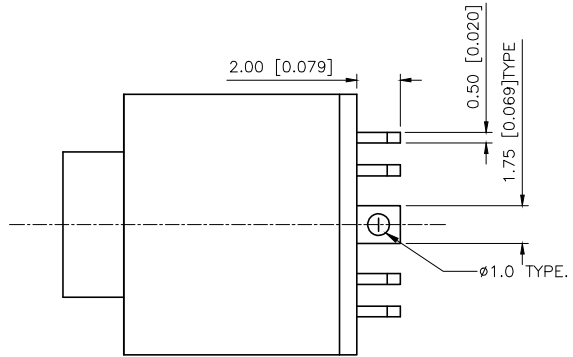
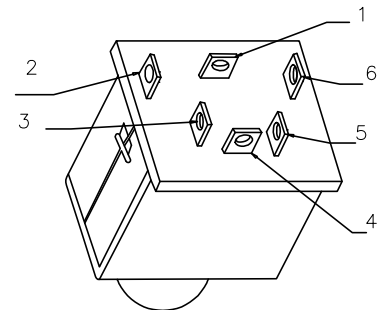
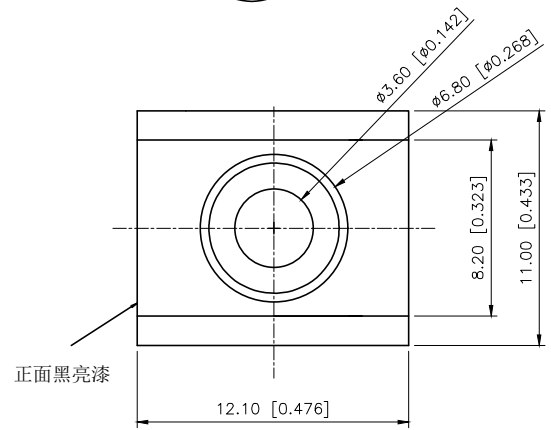
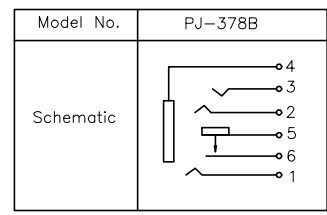


REVISIONS					
REV.	ECN NO.	LOCATION	DESCRIPTION	DATE	DESIGN
A0	N/A		INITIAL RELEASE	/	/
A1	N/A		图面升级整理图面	2025.06.26	阿树

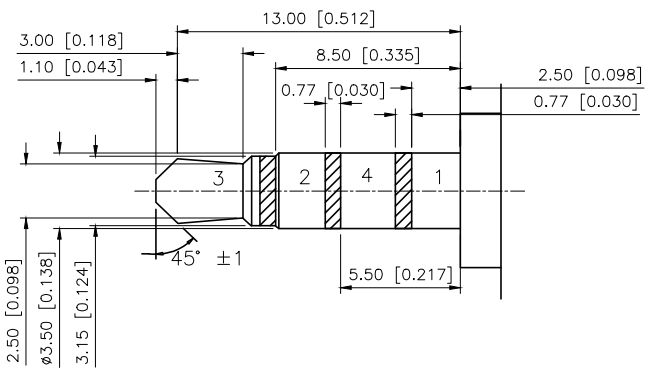
NOTES:
 1.0 Rating
 1.1 Temperature: -25°C TO +75°C;
 2.1 Insulation resistance: 100M AT 500V DC
 2.2 Dielectric strength: AC 500V, 60Hz FOR 1MINUTE;
 3.0 MATERIALS
 3.1 Housing: Thermoplastic;
 3.2 Contact: Copper alloy
 4.0 Insertion & extraction force
 4.1 Insertion & extraction: 1.0 TO 2.5kgf;
 After life test: 0.3 TO 2.5 kgf;



PCB Layout



正面黑亮漆



	Plastic	PBT	
Terminal 6	Phosphor Bronze	tin	
Terminal 5	Phosphor Bronze	tin	
Terminal 4	Phosphor Bronze	tin	
Terminal 3	Phosphor Bronze	tin	
Terminal 2	Phosphor Bronze	tin	
PAPT NAMF	MATERIAL	PLATING	

AuGLAR	±5°
X.	±0.40
X.x	±0.30
X.xx	±0.20
X.xxx	±0.15
UNSPECIFIED TOLERAUCES	



DESIGN	阿树
CHECKED	
APPROVED	

VIEW:

UNIT: mm/in

SIZE: A4

MODEL TYPE:	3.5 PHONE JACK
PART NO.:	PJ-378B
DWG NO.:	