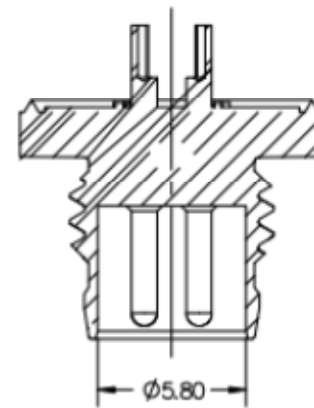
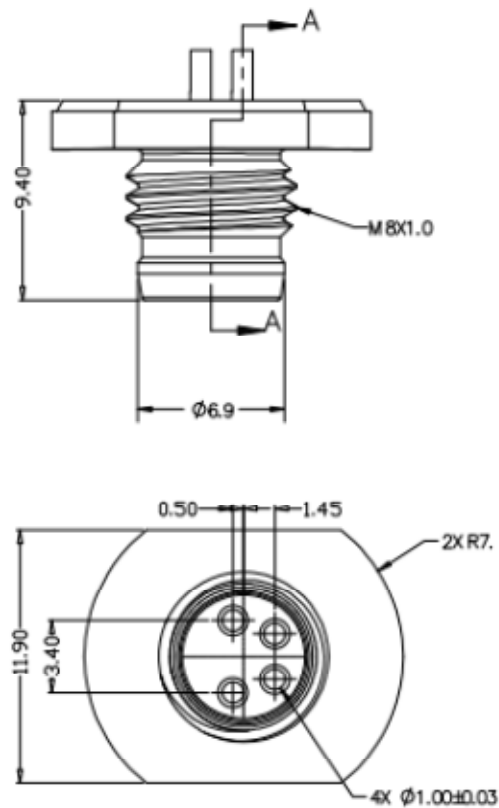
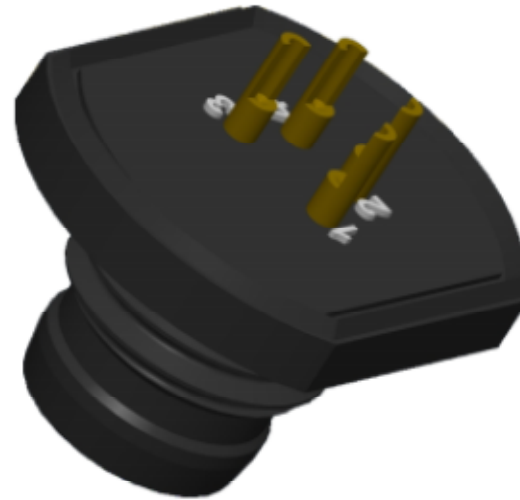


Materials

Terminal: Brass/Phosphor Bronze
Plastic: PA46/LCP



SECTION A-A