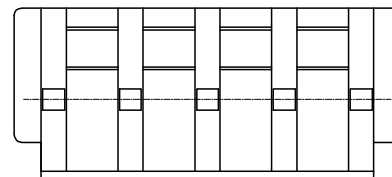
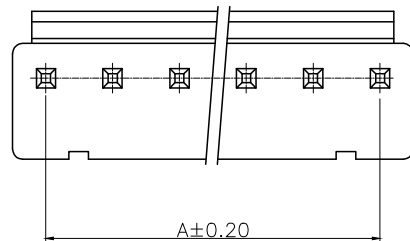
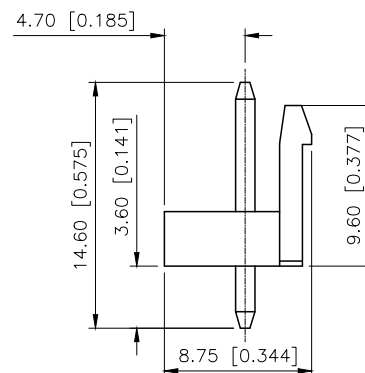
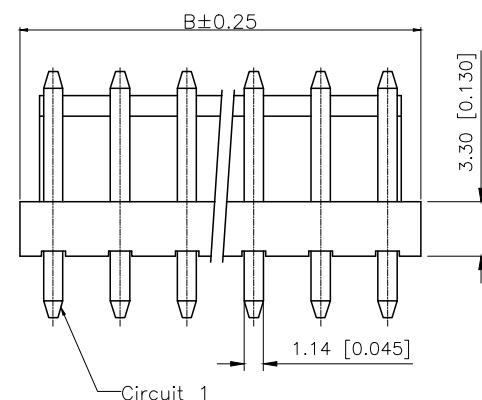


REVISIONS					
REV.	ECN NO.	LOCATION	DESCRIPTION	DATE	DESIGN
A0	N/A		INITIAL RELEASE		
A1	N/A		图面升级整理图面	2024.08.22	阿树



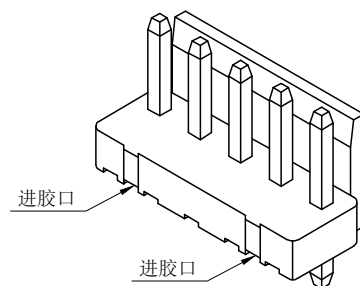
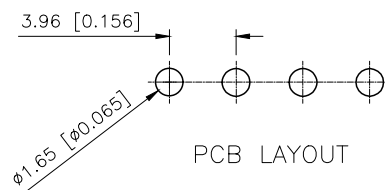
■ SPECIFICATIONS

- Voltage rating: 250V AC/DC
- Current rating: 7A AC/DC
- Withstanding Voltage: 1500V AC/minute
- Temperature range: -40°C ~ +125°C
- Insulation resistance: ≥ 1000MΩ
- Contact resistance: ≤ 10mΩ



X9396 W V-XX-46 v01  
① ② ③ ④ ⑤ ⑥

1. Series No
2. Category: W-Wafer
3. Welding Board Angle: V-Stright 180°
4. Row No. Pin No: XX-02~15 Pin
5. Material: 46-PA46 UL94V-0
6. Plating: V01-Gold 1u"



Poles	Dimensions(mm)		Poles	Dimensions(mm)	
	A	B		A	B
02	3.96	7.92	09	31.68	35.64
03	7.92	11.88	10	35.64	39.60
04	11.88	15.84	11	39.60	43.56
05	15.84	19.80	12	43.56	47.52
06	19.80	23.76	13	47.52	51.48
07	23.76	27.72	14	51.48	55.44
08	27.72	31.68	15	55.44	59.40

X9396WV-XX-46V01	PA46	Brass	Gold 1u"	X2581H
PART NO	Material	Material(Pin)	Finish	Suitable XKB Housing

ANGLAR	±5°
X.	±0.40
X.x	±0.30
X.xx	±0.20
X.xxx	±0.15
UNSPECIFIED TOLERANCES	



DESIGN	阿树	VIEW:		MODEL TYPE:	3.96mm Crimp Style Connectors
CHECKED		UNIT:	mm/in	PART NO.:	X9396WV-XX-46V01
APPROVED		SIZE:	A4	DWG NO.:	