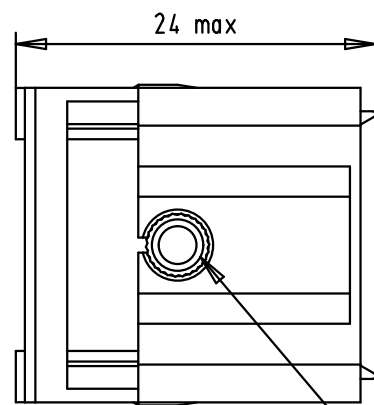
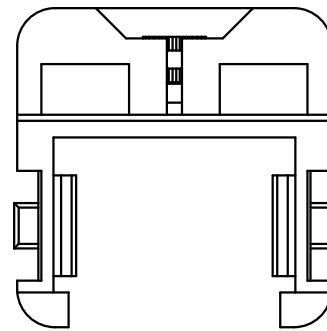
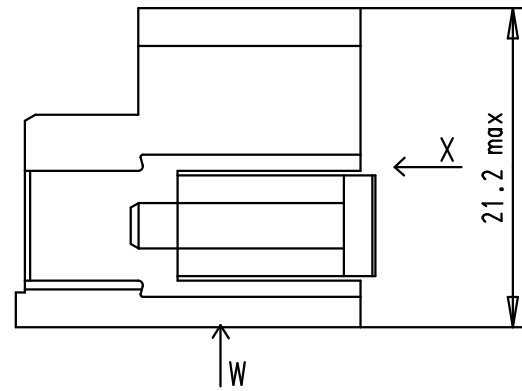
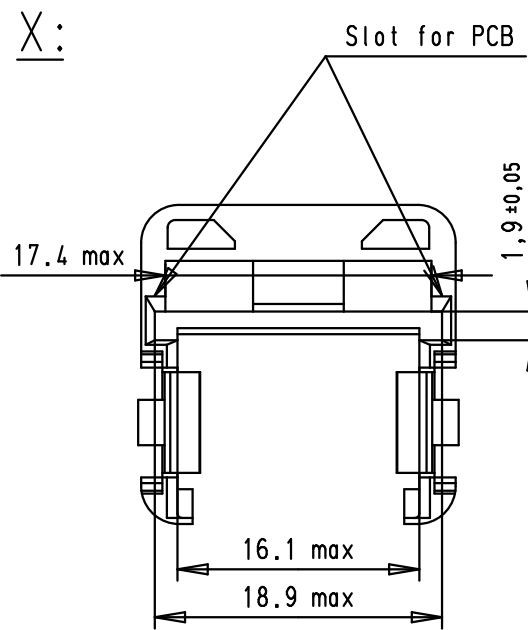


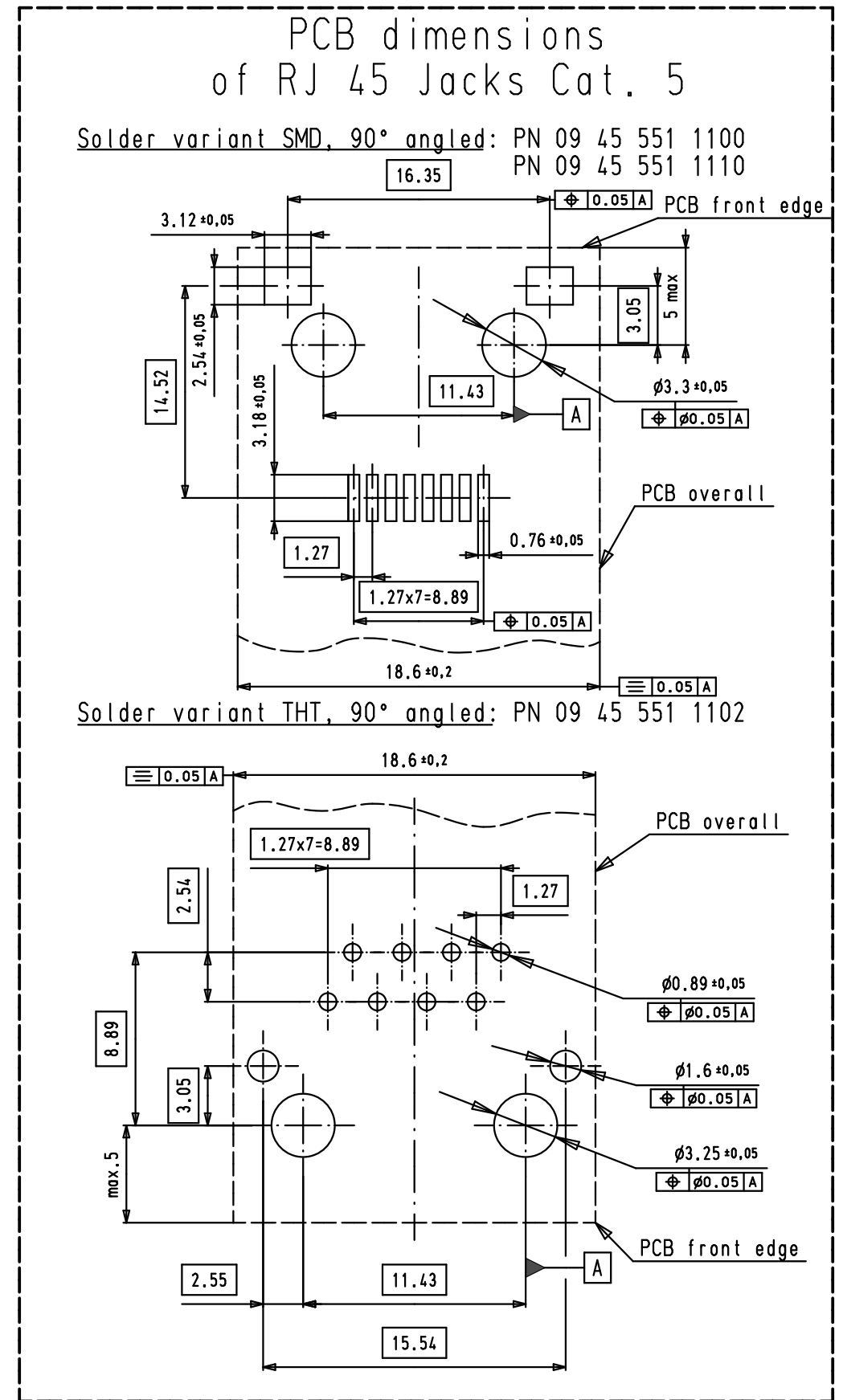
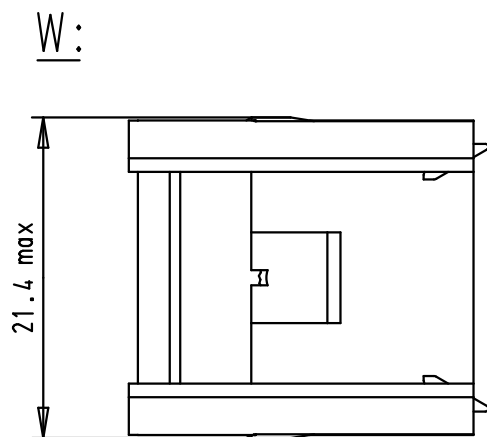
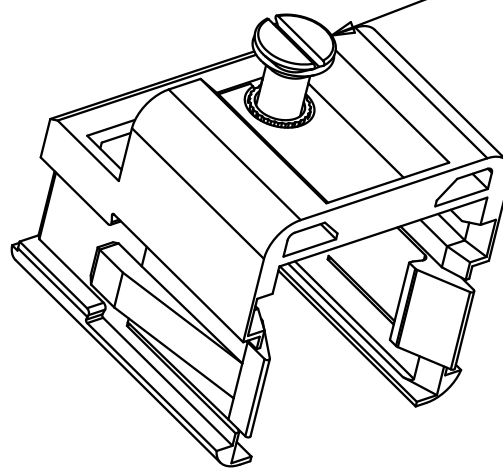
Alle Rechte vorbehalten/ All rights reserved



Hole with knurled nut



The adapter is delivered with screw + seal



			Det.	Name	 All Dim. in mm Orig. Size DIN A3	Han 3A RJ 45 Adapter for fixing of RJ45 fixed female with fixing clip for Han3A receptacle housing	Maßstab/ Scale 2:1	
			Detail.	06/06/08				AB
			Insp.					
			Stand.					
35060	24/06/08	AB	HARTING EURL F-95972 Paris			TB 09 45 515 0020	Blatt/ Page 1 / 1	
35054	06/06/08	AB						
Mod.	Det.	Name						

# Mouser Electronics

Authorized Distributor

Click to View Pricing, Inventory, Delivery & Lifecycle Information:

[HARTING:](#)

[09455150020](#)