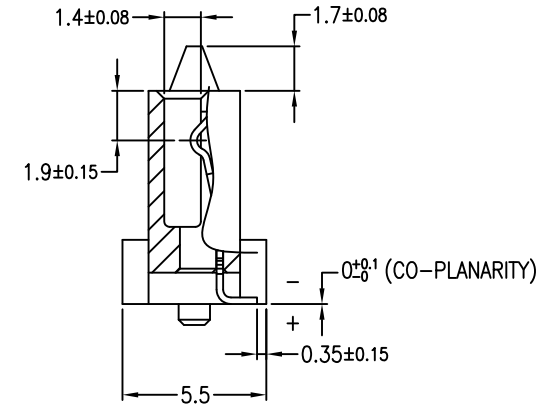
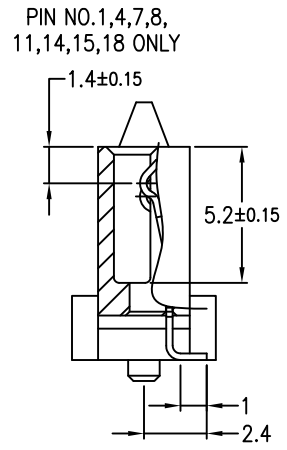
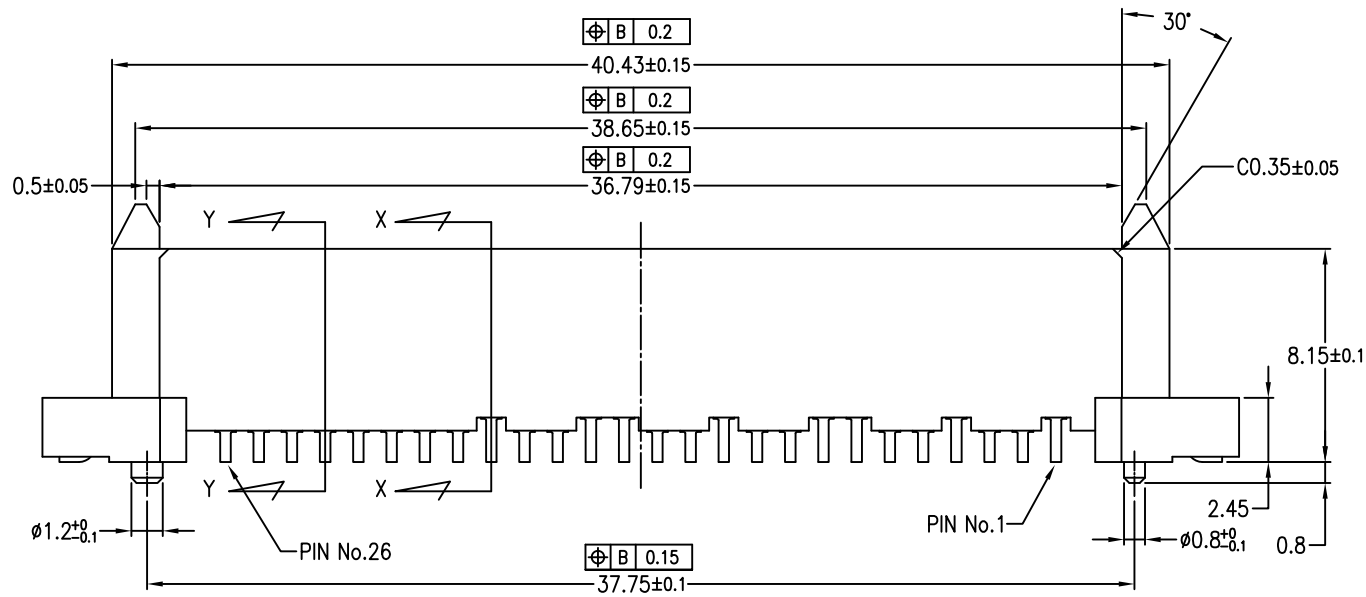
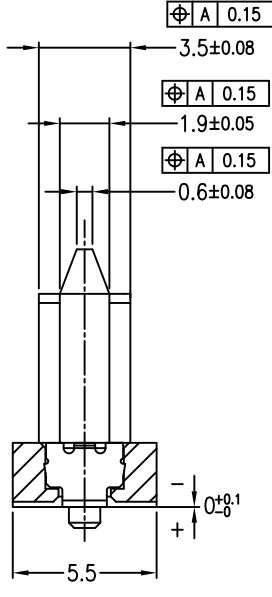
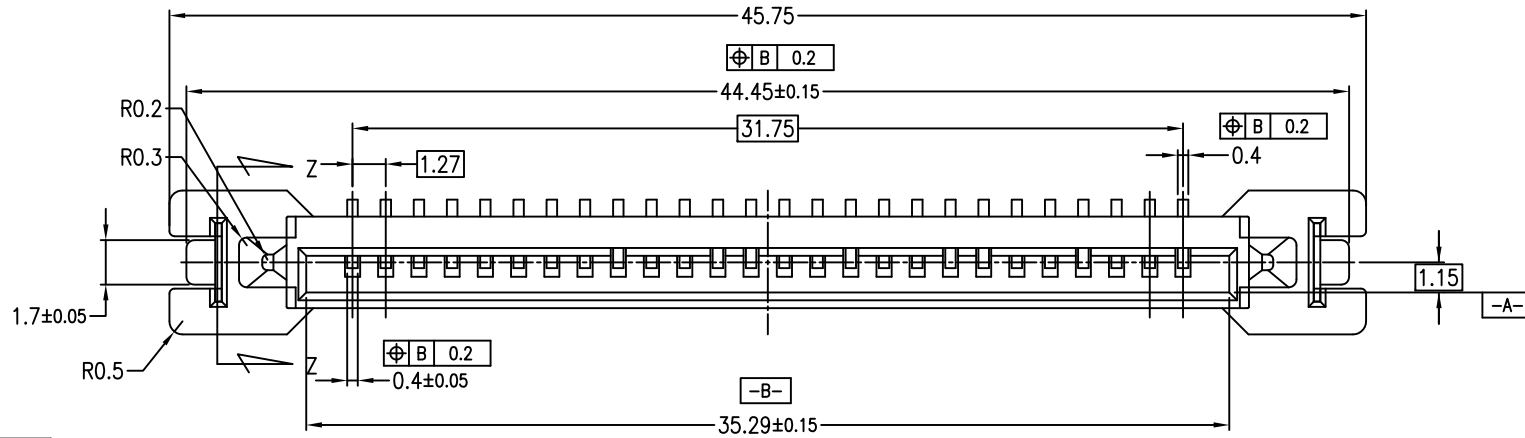


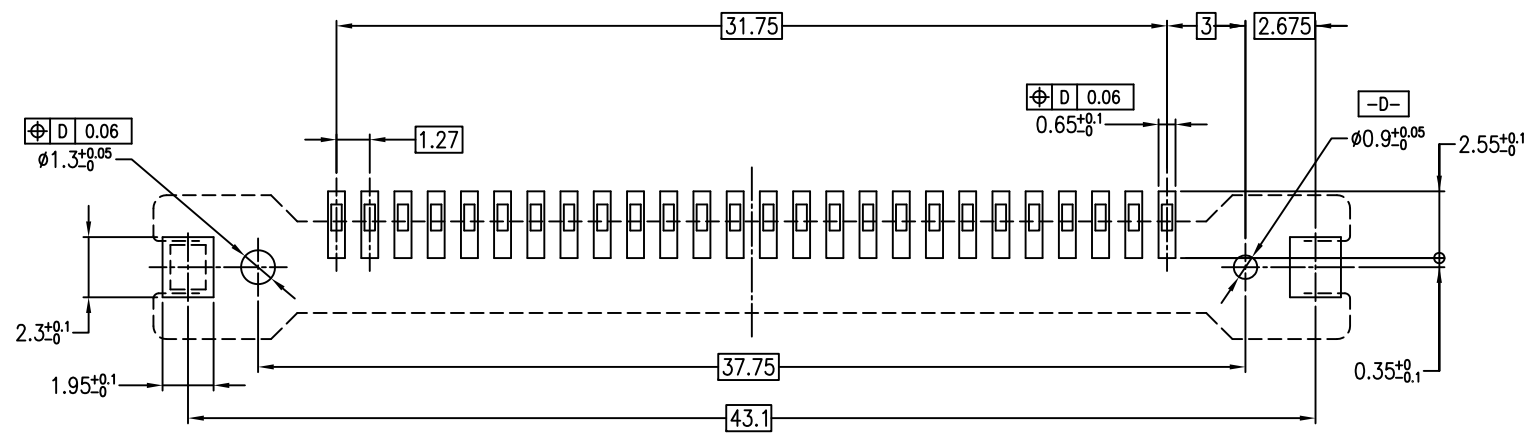
PRODUCT NO.
10034273-001LF



SECT.Z-Z

SECT.X-X

SECT.Y-Y



RECOMMENDED MOUNTING LAYOUT
TOLERANCE UNLESS OTHERWISE:±0.1

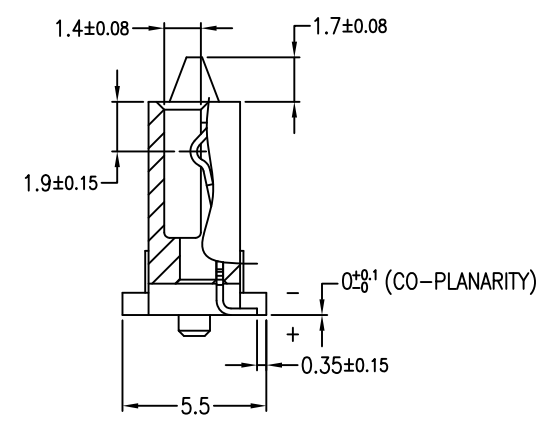
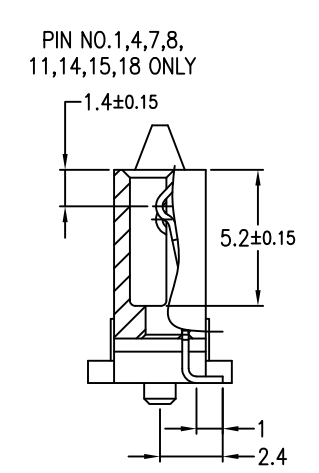
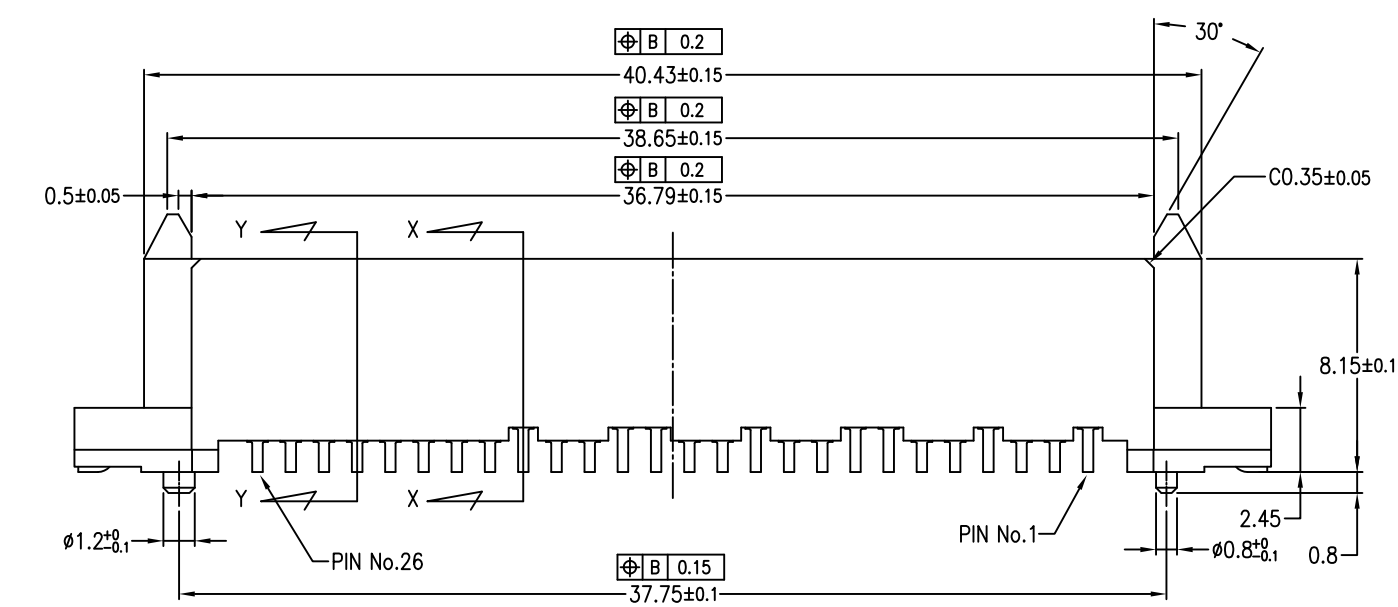
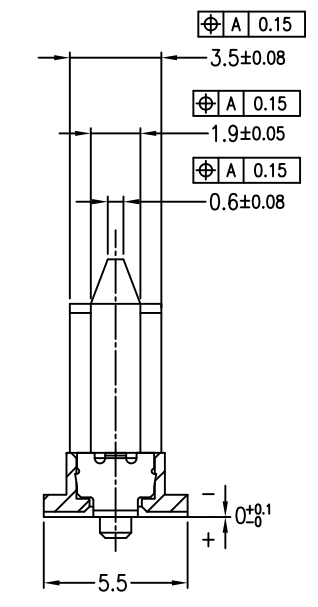
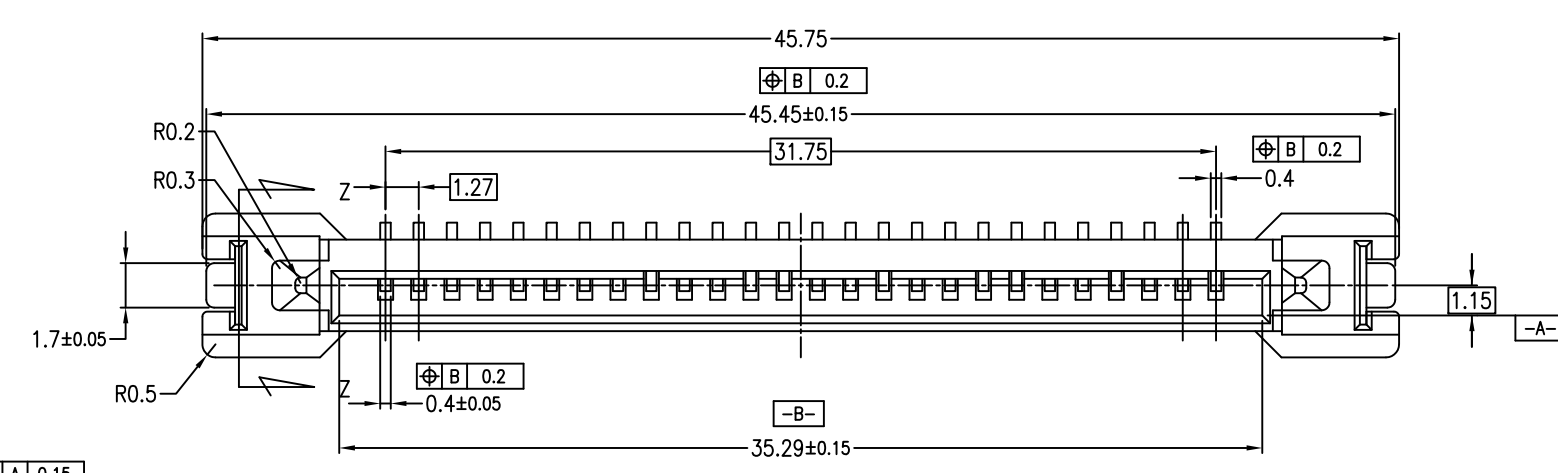
NOTE
1.MATERIAL
1) HOUSING : HIGH TEMPERATURE THERMOPLASTIC,BLACK, UL94V-0
2) TERMINAL : COPPER ALLOY
2.FINISH
1) TERMINAL : ALL OVER Ni 1.27μm MIN.
CONTACT POINT Au PLATING 0.3μm MIN.
SOLDER TAIL SEE TABLE
3.RoHS
THIS PRODUCT MEETS EUROPEAN UNION DIRECTIVES AND OTHER
COUNTRY REGULATIONSAS DESCRIBED IN GS-22-008

mat'l. code		surface		tolerance		projection		product family		CODE	
---		ISO 1302		ISO 406 ISO 1101		MM		55SF Removable HDD		JP	
description		ecn no		dr		date		title		sheet 1 of 2 size	
A RELEASED		J05-0383		Y.K		6/23/05		ASSEMBLY		5	
B Change of P/N		J07-0464		Y.K		2007-9-13		S-iVDR COMB RECE.		A2	
C REVISED		J10-0361		Y.K		2010-12-17		SMT VERT TYPE		5	
D REVISED		EX-J-012831		Y.K		2012-09-13		10034273		5	
sheet index		revision sheet		D		D		type		Rev.	
1		1 2		D		D		Product Customer Drawing		D	



Copyright FCI

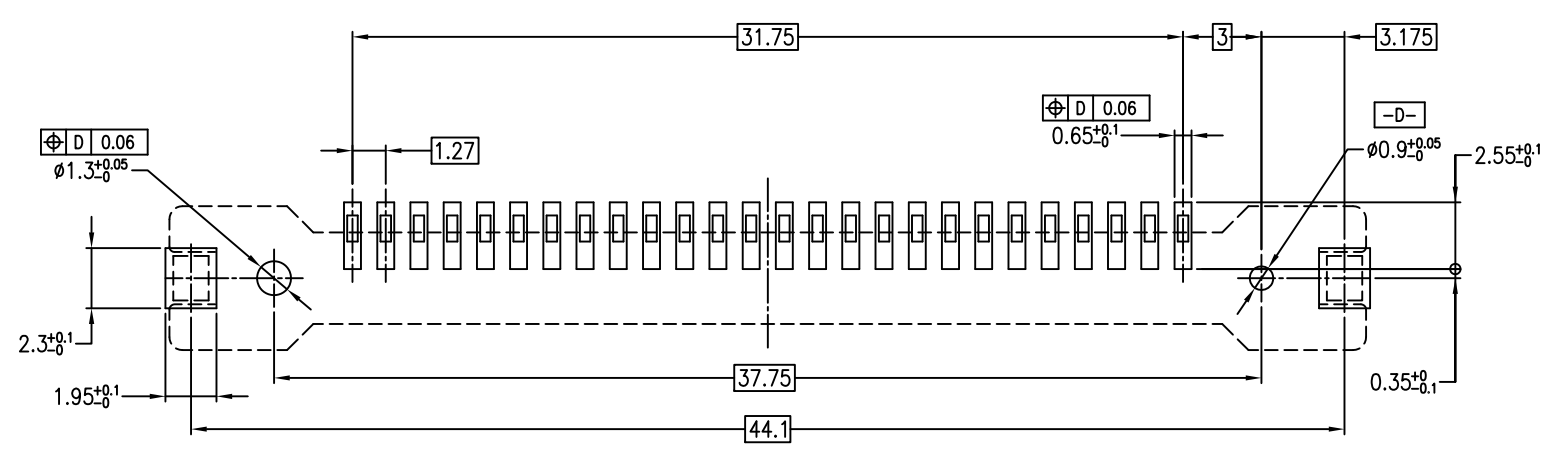
PRODUCT NO.
10034273-002LF



SECT.Z-Z

SECT.X-X

SECT.Y-Y



RECOMMENDED MOUNTING LAYOUT
TOLERANCE UNLESS OTHERWISE: ±0.1

NOTE
 1. THIS PRODUCT MEETS THE iVDR-HWSPEC (2.5-inch, 1.8-inch Serial type)
 2. MATERIAL
 1) HOUSING : HIGH TEMPERATURE THERMOPLASTIC, BLACK, UL94V-0
 2) TERMINAL : COPPER ALLOY
 3. FINISH
 1) TERMINAL : ALL OVER Ni 1.27μm MIN.
 CONTACT POINT Au PLATING 0.3μm MIN.
 SOLDER TAIL SEE TABLE
 4. RoHS
 THIS PRODUCT MEETS EUROPEAN UNION DIRECTIVES AND OTHER
 COUNTRY REGULATIONS AS DESCRIBED IN GS-22-008

mat'l. code		surface		tolerance		projection		product family		CODE	
---		ISO 1302		ISO 406 ISO 1101		MM		55SF Removable HDD		JP	
ltr	description	ecn no	dr	date	tolerances unless otherwise specified	MM		title			
C	RELEASED	J10-0361	Y.K	2010-12-17	0.X ±0.3	MM		ASSEMBLY			
D	REVISED	EX-J-012831	Y.K	2012-09-13	0.XX ±0.3	MM		S-iVDR COMB RECE. SMT VERT TYPE			
					0°±2'	scale 5:1		dwg no			
					dr	Y.KAMEDA 2010-12-17		sheet 2 of 2 size			
					enr	Y.KAMEDA 2010-12-17		10034273			
					chr	H.SUZUKI 2012-09-13		A2			
					appd	M.KAJIURA 2012-09-13		type			
sheet index		revision sheet						Product Customer Drawing		Rev.	
										D	

FCJ
 FCJconnect.com
 Copyright FCJ