

Network Module ▾

> WIZ850io

> WIZ550io

> WIZ820io

> WIZ830MJ

> WIZ810MJ

> WIZ811MJ

> WIZ812MJ

> NM7010B+

e-Brochure

Environment Policy

Follow Us



WIZ550io

Overview

WIZ550io is an auto configurable Ethernet controller that includes a W5500 (TCP/IP hardwired chip and PHY embedded), a transformer and RJ45.

It has a unique official MAC address and configures the network setting automatically. When powered on, WIZ550io initializes itself with embedded MAC and sets the default IP address (192.168.1.2) and it can be pinged. Therefore, users are not required to write MAC and network information like IP address, Subnet mask and Gateway address. The WIZ550io is an ideal product for users who want to develop their Internet enabling systems rapidly.

Key Features

- ✓ Plug-in Network Module
- ✓ Usable without H/W design for W5500, transformer & RJ-45
- ✓ Fast evaluation for W5500 & MCU in the target board
- ✓ Built-in MAC Address (48bit Global Unique ID)
- ✓ Auto-Network configuration with default IP address
- ✓ No MCU programming for PING check
- ✓ Provide binary to edit default IP address
- ✓ Support 8 independent hardware sockets
- ✓ Support high speed SPI interface
- ✓ Support interface board for Arduino, TI's MSP 430 LaunchPad & Renesas's GR-Kurumi boards



Technical Docs

WIZ550io WiKi

Technical Support

WIZnet FORUM

Buy Now

WIZnet e-Shop (US) \$

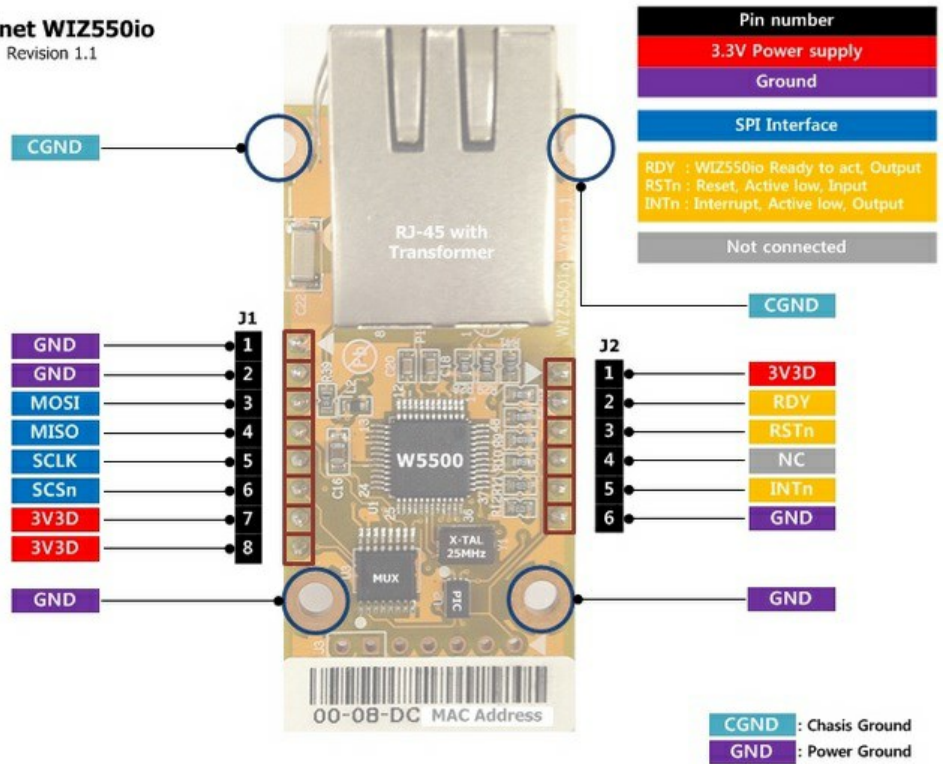
WIZnet e-Shop (EU) €

WIZnet e-shop (KR) ₩

WIZnet e-shop Hong Kong

Pin Assignment

WIZnet WIZ550io
Revision 1.1



Download

[WIZ550io WiKi](#)

WIZ550io WiKi

- Latest Information about WIZ550io
- Hardware Pins
- SPI Operation
- Timing Diagram
- Block Diagram & Schematic
- Dimension

[Hardware Guide](#)

WIZ550io Hardware Guide

- WIZ550io Schematic
- WIZ550io Part List

[Utility](#)

AX1

- AX1 Loopback Test Program, Install version

Please Share This

[Tweet](#)
[Like](#)
[Plus one](#)
[Pin It](#)
[Share](#)

Technology

Technology



Product

- IOP
- iEthernet
- Network Module
- Serial to Ethernet
- Application Module
- WizFi Module
- OSHW

About WIZnet

- About WIZnet
- Contact Us
- News
- Newsletter
- Distributor

Family Site

- Wiki
- Forum
- WIZnetian (WIZnet Community)
- Museum
- Academy (Kr)

[Old Homepage](#)

