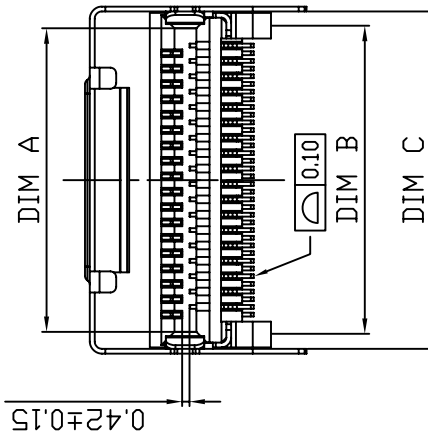
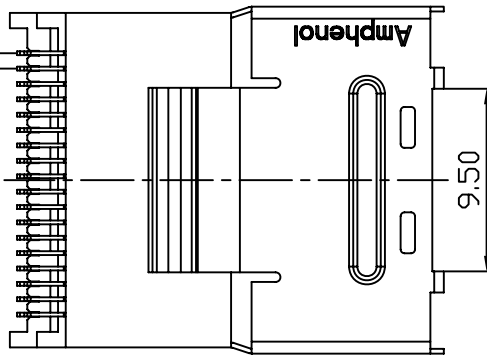
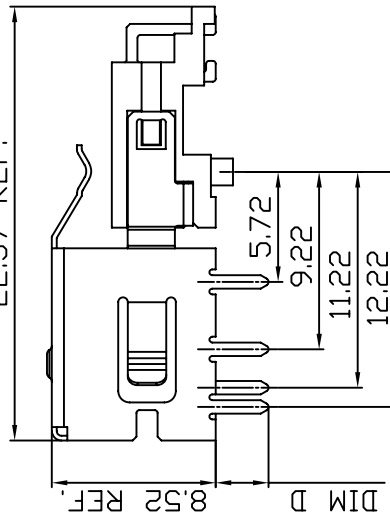


This document is the property of Amphenol Corporation and is delivered on the express condition that it is not to be disclosed, reproduced or used in whole or in part for manufacture or sale by anyone other than Amphenol Corporation without its written consent. No right is granted to disclose or to use any information in this document.

0.80±0.10 TYP.

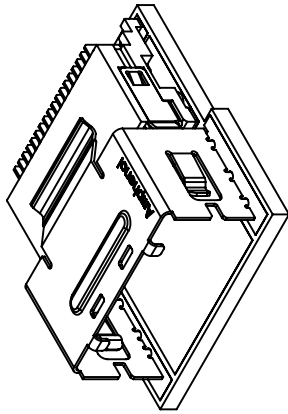


22.57 REF.



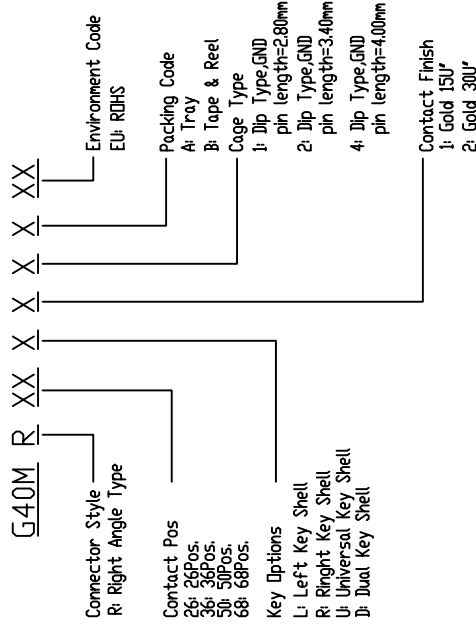
# CUSTOMER DRAWING

CAGE TYPE: DIP



POSITION	DIM A	DIM B	DIM C	DIM D
26	11.80	12.00	13.55	2.80/3.40/4.00
36	15.80	16.00	17.55	2.80/3.40/4.00
50	21.40	21.60	23.15	2.80/3.40/4.00
68	28.60	28.80	30.35	2.80/3.40/4.00

- NOTE:**
- MATERIAL:**  
CONTACT: PHOSPHOR BRONZE  
HOUSING: LCP UL-94V-0 RATED, BLACK COLOR  
SHELL: COPPER ALLOY
  - CONTACT FINISH:**  
CONTACT AREA: Au 15u" MIN.  
SOLDER AREA: MATT PURE TIN 120u"  
UNDERPLATING: NI 50u" MIN OVERALL.
  - COPLANARITY:** 0.10MM MAX.
  - PRODUCT SPEC REFER TO PS-7326**
  - PART NUMBER SYSTEM REFER TO PNS-G40M**
  - THIS PRODUCT DOESN'T CONTAIN ENVIRONMENTAL HAZARDOUS MATERIALS PER DIRECTIVE 2002/95/EC/ FOR ROHS**



## REVISIONS

SYM	ECN No.	DESCRIPTION	DATE	APPROVED
A		UNRELEASE PRODUCT	01/16/2007	HC
B	NE-07310	ADD SHELL LENGTH DIM	06/23/2007	HANK HSU

TOLERANCE m/m		APPROVALS		DATE		TITLE	
x.	±0.30	<small>DRAWN</small> Danel Hsieh		06/23/2007	MINI SAS COMBO TYPE		
xx	±0.25	<small>DESIGNED</small> Danel Hsieh		06/23/2007	B/M R/A CONNECTOR		
xxx	±0.15	<small>CHECKED</small> Chenny Yeh		06/23/2007	SCALE NA SHEET 1 OF 5		
xxxx	±0.08	<small>APPROVED</small> Hank Hsu		06/23/2007	DRAWING NO. T 441-G40MRXXXXXEU		
ANGULAR	±2°				REV. B		
UNLESS OTHERWISE SPECIFIED					PART NO. G40MRXXXXXEU		
					SIZE A4		
					UNIT MM		

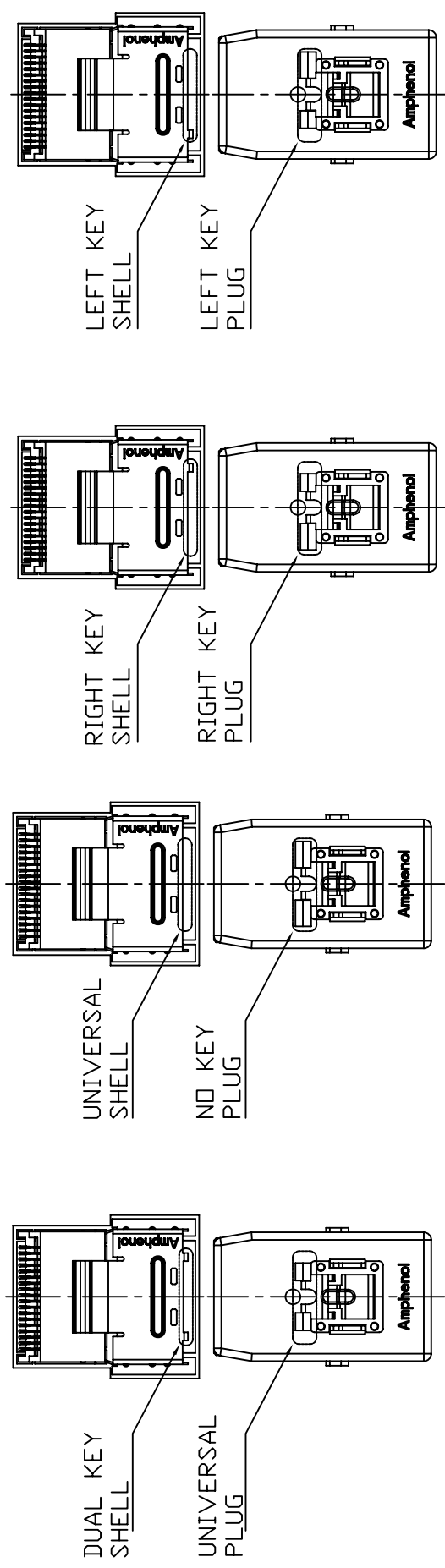
**Amphenol®**  
**Amphenol Corporation**  
**Amphenol Taiwan Corporation**

REVISIONS		DATE	APPROVED
SYM	ECN No.	UNRELEASE PRODUCT	HC
A			
B	NE-07310	ADD SHELL LENGTH DIM	HANK HSU

# CUSTOMER DRAWING

This document is the property of Amphenol Corporation and is delivered on the express condition that it is not to be disclosed, reproduced or used, in whole or in part, for manufacture or sale by anyone other than Amphenol Corporation without its prior consent, and that no right is granted to disclose or to use any information in this document.

## KEYING OPTIONS



POSITION	RIGHT KEY PLUG	LEFT KEY PLUG	UNIVERSAL PLUG	DUAL KEY SHELL
NO KEY PLUG	NO	NO	YES	NO
LEFT KEY PLUG	NO	YES	YES	NO
RIGHT KEY PLUG	YES	NO	YES	NO
UNIVERSAL PLUG	YES	YES	YES	YES

TOLERANCE	m/m
x	±0.30
x-x	±0.25
x-xx	±0.15
x-xxx	±0.08
ANGULAR	±2°

APPROVALS	DATE
DRAWN: Daniel Hsieh	06/23/2007
DESIGNED: Daniel Hsieh	06/23/2007
CHECKED: Chenny Yeh	06/23/2007
APPROVED: Hank Hsu	06/23/2007

TITLE	SIZE	PART NO.	SCALE	NA	SHEET	DF	REV.
MINI SAS COMBO TYPE B/M R/A CONNECTOR	A4	G40MRXXXXXXEU	1:1		2	5	B

**Amphenol®**  
**Amphenol Corporation**  
**Amphenol Taiwan Corporation**

CUSTOMER DRAWING

This document is the property of Amphenol Corporation and is delivered on the express condition that it is not to be disclosed, reproduced or used in whole or in part for manufacture or sale by any one other than Amphenol Corporation without its written consent. No right is granted to disclose or to use any information in this document.

REVISIONS

SYM	ECN No.	DESCRIPTION	DATE	APPROVED
A		UNRELEASE PRODUCT	01/16/2007	HC
B	NE-07310	ADD SHELL LENGTH DIM	06/23/2007	HMK HSU

MINI SAS											
Type	Plug or Receptacle	Position	Connector Type	Cage Type	Keying (optional)	Shell Tail (Length)	Plating	P/N			
R/A		26-pos.	SMT	DIP	Right Key	2.8 mm	15u"	G40MR26R11XEU	Universal shell No Key Plug	36-pos.	
						3.4 mm	30u"	G40MR26R22XEU			
						4.0 mm	30u"	G40MR26R24XEU			
						2.8 mm	15u"	G40MR26U11XEU			
						3.4 mm	30u"	G40MR26U21XEU			
						4.0 mm	30u"	G40MR26U22XEU			
	Receptacle					Dual Key Shell Universal Plug	2.8 mm	15u"	G40MR26D11XEU	Dual Key Shell Universal Plug	
							3.4 mm	30u"	G40MR26D21XEU		
							4.0 mm	30u"	G40MR26D12XEU		
							2.8 mm	15u"	G40MR26D14XEU		
							3.4 mm	30u"	G40MR26D22XEU		
							4.0 mm	30u"	G40MR26D24XEU		

MINI SAS											
Type	Plug or Receptacle	Position	Connector Type	Cage Type	Keying (optional)	Shell Tail (Length)	Plating	P/N			
R/A		36-pos.	SMT	DIP	Left Key	2.8 mm	15u"	G40MR36L11XEU	Universal shell No Key Plug	36-pos.	
						3.4 mm	30u"	G40MR36L21XEU			
						4.0 mm	30u"	G40MR36L22XEU			
						2.8 mm	15u"	G40MR36R11XEU			
						3.4 mm	30u"	G40MR36R21XEU			
						4.0 mm	30u"	G40MR36R22XEU			
	Receptacle					Dual Key Shell Universal Plug	2.8 mm	15u"	G40MR36D11XEU	Dual Key Shell Universal Plug	
							3.4 mm	30u"	G40MR36D21XEU		
							4.0 mm	30u"	G40MR36D12XEU		
							2.8 mm	15u"	G40MR36D14XEU		
							3.4 mm	30u"	G40MR36D22XEU		
							4.0 mm	30u"	G40MR36D24XEU		

TOLERANCE	m/m
x.	±0.30
x.x	±0.25
x.xx	±0.15
x.xxx	±0.08
ANGULAR	±2°

APPROVALS	DATE
DRAWN Daniel Hsieh	06/23/2007
DESIGNED Daniel Hsieh	06/23/2007
CHECKED Chenny Yeh	06/23/2007
APPROVED Hank Hsu	06/23/2007

TOLERANCE		APPROVALS		DATE		TITLE	
UNLESS OTHERWISE SPECIFIED				06/23/2007		MINI SAS COMBO TYPE B/M R/A CONNECTOR	
DRAWING NO. T 441-G40MRXXXXXEU		PART NO. G40MRXXXXXEU		SIZE A4		SCALE NA SHEET 3 OF 5	
REV. B		REV. B		REV. B		REV. B	

**Amphenol®**  
**Amphenol Corporation**  
**Amphenol Taiwan Corporation**

**CUSTOMER DRAWING**

**REVISIONS**

SYM	ECN No.	DESCRIPTION	DATE	APPROVED
A		UNRELEASE PRODUCT	07/16/2007	HC
B	INE-07310	ADD SHELL LENGTH DIM	06/23/2007	HANK HSU

SYMBOL	DESCRIPTION
A	UNRELEASE PRODUCT
B	INE-07310



MINI SAS	Type	Plug or Receptacle	Position	Connector Type	Cage Type	Keying (optional)	Shell Tail (Length)	Plating	P/N	
MINI SAS	R/A		50-pos.	SMT	DIP	Left Key	2.8 mm	15u"	G40MR50L11XEU	
							3.4 mm	30u"	G40MR50L21XEU	
							4.0 mm	15u"	G40MR50L12XEU	
								30u"	G40MR50L22XEU	
							2.8 mm	15u"	G40MR50L14XEU	
							3.4 mm	30u"	G40MR50L24XEU	
	R/A	Receptacle					Right Key	2.8 mm	15u"	G40MR50R11XEU
								3.4 mm	30u"	G40MR50R21XEU
								4.0 mm	15u"	G40MR50R12XEU
									30u"	G40MR50R22XEU
								2.8 mm	15u"	G40MR50U11XEU
								3.4 mm	30u"	G40MR50U21XEU
R/A	Receptacle					Universal shell No Key Plug	2.8 mm	15u"	G40MR50U11XEU	
							3.4 mm	30u"	G40MR50U12XEU	
							4.0 mm	15u"	G40MR50U22XEU	
								30u"	G40MR50U14XEU	
							2.8 mm	15u"	G40MR50D11XEU	
							3.4 mm	30u"	G40MR50D21XEU	
R/A	Receptacle					Dual Key Shell Universal Plug	2.8 mm	15u"	G40MR50D11XEU	
							3.4 mm	30u"	G40MR50D12XEU	
							4.0 mm	15u"	G40MR50D22XEU	
								30u"	G40MR50D14XEU	
							2.8 mm	15u"	G40MR68U11XEU	
							3.4 mm	30u"	G40MR68U21XEU	

MINI SAS	Type	Plug or Receptacle	Position	Connector Type	Cage Type	Keying (optional)	Shell Tail (Length)	Plating	P/N	
MINI SAS	R/A		68-pos.	SMT	DIP	Left Key	2.8 mm	15u"	G40MR68L11XEU	
							3.4 mm	30u"	G40MR68L21XEU	
							4.0 mm	15u"	G40MR68L12XEU	
								30u"	G40MR68L22XEU	
							2.8 mm	15u"	G40MR68L14XEU	
							3.4 mm	30u"	G40MR68L24XEU	
	R/A	Receptacle					Right Key	2.8 mm	15u"	G40MR68R11XEU
								3.4 mm	30u"	G40MR68R21XEU
								4.0 mm	15u"	G40MR68R12XEU
									30u"	G40MR68R22XEU
								2.8 mm	15u"	G40MR68U11XEU
								3.4 mm	30u"	G40MR68U21XEU
R/A	Receptacle					Universal shell No Key Plug	2.8 mm	15u"	G40MR68U11XEU	
							3.4 mm	30u"	G40MR68U12XEU	
							4.0 mm	15u"	G40MR68U22XEU	
								30u"	G40MR68U14XEU	
							2.8 mm	15u"	G40MR68D11XEU	
							3.4 mm	30u"	G40MR68D21XEU	
R/A	Receptacle					Dual Key Shell Universal Plug	2.8 mm	15u"	G40MR68D11XEU	
							3.4 mm	30u"	G40MR68D12XEU	
							4.0 mm	15u"	G40MR68D22XEU	
								30u"	G40MR68D14XEU	
							2.8 mm	15u"	G40MR68U11XEU	
							3.4 mm	30u"	G40MR68U21XEU	

MINI SAS	Type	Plug or Receptacle	Position	Connector Type	Cage Type	Keying (optional)	Shell Tail (Length)	Plating	P/N	
MINI SAS	R/A		68-pos.	SMT	DIP	Left Key	2.8 mm	15u"	G40MR68L11XEU	
							3.4 mm	30u"	G40MR68L21XEU	
							4.0 mm	15u"	G40MR68L12XEU	
								30u"	G40MR68L22XEU	
							2.8 mm	15u"	G40MR68L14XEU	
							3.4 mm	30u"	G40MR68L24XEU	
	R/A	Receptacle					Right Key	2.8 mm	15u"	G40MR68R11XEU
								3.4 mm	30u"	G40MR68R21XEU
								4.0 mm	15u"	G40MR68R12XEU
									30u"	G40MR68R22XEU
								2.8 mm	15u"	G40MR68U11XEU
								3.4 mm	30u"	G40MR68U21XEU
R/A	Receptacle					Universal shell No Key Plug	2.8 mm	15u"	G40MR68U11XEU	
							3.4 mm	30u"	G40MR68U12XEU	
							4.0 mm	15u"	G40MR68U22XEU	
								30u"	G40MR68U14XEU	
							2.8 mm	15u"	G40MR68D11XEU	
							3.4 mm	30u"	G40MR68D21XEU	
R/A	Receptacle					Dual Key Shell Universal Plug	2.8 mm	15u"	G40MR68D11XEU	
							3.4 mm	30u"	G40MR68D12XEU	
							4.0 mm	15u"	G40MR68D22XEU	
								30u"	G40MR68D14XEU	
							2.8 mm	15u"	G40MR68U11XEU	
							3.4 mm	30u"	G40MR68U21XEU	

MINI SAS	Type	Plug or Receptacle	Position	Connector Type	Cage Type	Keying (optional)	Shell Tail (Length)	Plating	P/N	
MINI SAS	R/A		68-pos.	SMT	DIP	Left Key	2.8 mm	15u"	G40MR68L11XEU	
							3.4 mm	30u"	G40MR68L21XEU	
							4.0 mm	15u"	G40MR68L12XEU	
								30u"	G40MR68L22XEU	
							2.8 mm	15u"	G40MR68L14XEU	
							3.4 mm	30u"	G40MR68L24XEU	
	R/A	Receptacle					Right Key	2.8 mm	15u"	G40MR68R11XEU
								3.4 mm	30u"	G40MR68R21XEU
								4.0 mm	15u"	G40MR68R12XEU
									30u"	G40MR68R22XEU
								2.8 mm	15u"	G40MR68U11XEU
								3.4 mm	30u"	G40MR68U21XEU
R/A	Receptacle					Universal shell No Key Plug	2.8 mm	15u"	G40MR68U11XEU	
							3.4 mm	30u"	G40MR68U12XEU	
							4.0 mm	15u"	G40MR68U22XEU	
								30u"	G40MR68U14XEU	
							2.8 mm	15u"	G40MR68D11XEU	
							3.4 mm	30u"	G40MR68D21XEU	
R/A	Receptacle					Dual Key Shell Universal Plug	2.8 mm	15u"	G40MR68D11XEU	
							3.4 mm	30u"	G40MR68D12XEU	
							4.0 mm	15u"	G40MR68D22XEU	
								30u"	G40MR68D14XEU	
							2.8 mm	15u"	G40MR68U11XEU	
							3.4 mm	30u"	G40MR68U21XEU	

MINI SAS	Type	Plug or Receptacle	Position	Connector Type	Cage Type	Keying (optional)	Shell Tail (Length)	Plating	P/N	
MINI SAS	R/A		68-pos.	SMT	DIP	Left Key	2.8 mm	15u"	G40MR68L11XEU	
							3.4 mm	30u"	G40MR68L21XEU	
							4.0 mm	15u"	G40MR68L12XEU	
								30u"	G40MR68L22XEU	
							2.8 mm	15u"	G40MR68L14XEU	
							3.4 mm	30u"	G40MR68L24XEU	
	R/A	Receptacle					Right Key	2.8 mm	15u"	G40MR68R11XEU
								3.4 mm	30u"	G40MR68R21XEU
								4.0 mm	15u"	G40MR68R12XEU
									30u"	G40MR68R22XEU
								2.8 mm	15u"	G40MR68U11XEU
								3.4 mm	30u"	G40MR68U21XEU
R/A	Receptacle					Universal shell No Key Plug	2.8 mm	15u"	G40MR68U11XEU	
							3.4 mm	30u"	G40MR68U12XEU	
							4.0 mm	15u"	G40MR68U22XEU	
								30u"	G40MR68U14XEU	
							2.8 mm	15u"	G40MR68D11XEU	
							3.4 mm	30u"	G40MR68D21XEU	
R/A	Receptacle					Dual Key Shell Universal Plug	2.8 mm	15u"	G40MR68D11XEU	
							3.4 mm	30u"	G40MR68D12XEU	
							4.0 mm	15u"	G40MR68D22XEU	
								30u"	G40MR68D14XEU	
							2.8 mm	15u"	G40MR68U11XEU	
							3.4 mm	30u"	G40MR68U21XEU	

MINI SAS	Type	Plug or Receptacle	Position	Connector Type	Cage Type	Keying (optional)	Shell Tail (Length)	Plating	P/N	
MINI SAS	R/A		68-pos.	SMT	DIP	Left Key	2.8 mm	15u"	G40MR68L11XEU	
							3.4 mm	30u"	G40MR68L21XEU	
							4.0 mm	15u"	G40MR68L12XEU	
								30u"	G40MR68L22XEU	
							2.8 mm	15u"	G40MR68L14XEU	
							3.4 mm	30u"	G40MR68L24XEU	
	R/A	Receptacle					Right Key	2.8 mm	15u"	G40MR68R11XEU
								3.4 mm	30u"	G40MR68R21XEU
								4.0 mm	15u"	G40MR68R12XEU
									30u"	G40MR68R22XEU
								2.8 mm	15u"	G40MR68U11XEU
								3.4 mm	30u"	G40MR68U21XEU
R/A	Receptacle					Universal shell No Key Plug	2.8 mm	15u"	G40MR68U11XEU	
							3.4 mm	30u"	G40MR68U12XEU	
							4.0 mm	15u"	G40MR68U22XEU	
								30u"	G40MR68U14XEU	
							2.8 mm	15u"	G40MR68D11XEU	
							3.4 mm	30u"	G40MR68D21XEU	
R/A	Receptacle					Dual Key Shell Universal Plug	2.8 mm	15u"	G40MR68D11XEU	
							3.4 mm	30u"	G40MR68D12XEU	
							4.0 mm	15u"	G40MR68D22XEU	
								30u"	G40MR68D14XEU	
							2.8 mm	15u"	G40MR68U11XEU	
							3.4 mm	30u"	G40MR68U21XEU	

MINI SAS	Type	Plug or Receptacle	Position	Connector Type	Cage Type	Keying (optional)	Shell Tail (Length)	Plating	P/N	
MINI SAS	R/A		68-pos.	SMT	DIP	Left Key	2.8 mm	15u"	G40MR68L11XEU	
							3.4 mm	30u"	G40MR68L21XEU	
							4.0 mm	15u"	G40MR68L12XEU	
								30u"	G40MR68L22XEU	
							2.8 mm	15u"	G40MR68L14XEU	
							3.4 mm	30u"	G40MR68L24XEU	
	R/A	Receptacle					Right Key	2.8 mm	15u"	G40MR68R11XEU
								3.4 mm	30u"	G40MR68R21XEU
								4.0 mm	15u"	G40MR68R12XEU
									30u"	G40MR68R22XEU
								2.8 mm	15u"	G40MR68U11XEU
								3.4 mm	30u"	G40MR68U21XEU
R/A	Receptacle					Universal shell No Key Plug	2.8 mm	15u"	G40MR68U11XEU	
							3.4 mm	30u"	G40MR68U12XEU	
							4.0 mm	15u"	G40MR68U22XEU	
								30u"	G40MR68U14XEU	
							2.8 mm	15u"	G40MR68D11XEU	
							3.4 mm	30u"	G40MR68D21XEU	
R/A	Receptacle					Dual Key Shell Universal Plug	2.8 mm	15u"	G40MR68D11XEU	
							3.4 mm	30u"	G40MR68D12XEU	
							4.0 mm	15u"	G40MR68D22XEU	
								30u"	G40MR68D14XEU	
							2.8 mm	15u"	G40MR68U11XEU	
							3.4 mm	30u"	G40MR68U21XEU	

This document is the property of Amphenol Corporation and is delivered on the express condition that it is not to be disclosed, reproduced or used, in whole or in part, for manufacture or sale by anyone other than Amphenol Corporation without its prior consent, and that no right is granted to disclose or to use any information in this document.

Amphenol Corporation  
Amphenol Taiwan Corporation

MINI SAS COMBO TYPE  
B/M R/A CONNECTOR

APPROVALS: Danel Hsieh (DATE: 06/23/2007), Danel Hsieh (DATE: 06/23/2007), Cherry Yeh (DATE: 06/23/2007), Hank Hsu (DATE: 06/23/2007)

TOLERANCE: X: ±0.30, XX: ±0.25, XXX: ±0.15, XXXX: ±0.08, ANGULAR: ±2°

UNLESS OTHERWISE SPECIFIED

SCALE: NA, SHEET 4 OF 5, DRAWING NO. T441-G40MRXXXXXXEU, REV. B

Amphenol®  
Amphenol Corporation  
Amphenol Taiwan Corporation

MINI SAS COMBO TYPE  
B/M R/A CONNECTOR

APPROVALS: Danel Hsieh (DATE: 06/23/2007), Danel Hsieh (DATE: 06/23/2007), Cherry Yeh (DATE: 06/23/2007), Hank Hsu (DATE: 06/23/2007)

TOLERANCE: X: ±0.30, XX: ±0.25, XXX: ±0.15, XXXX: ±0.08, ANGULAR: ±2°

UNLESS OTHERWISE SPECIFIED

SCALE: NA, SHEET 4 OF 5, DRAWING NO. T441-G40MRXXXXXXEU, REV. B

Amphenol®  
Amphenol Corporation  
Amphenol Taiwan Corporation

MINI SAS COMBO TYPE  
B/M R/A CONNECTOR

APPROVALS: Danel Hsieh (DATE: 06/23/2007), Danel Hsieh (DATE: 06/23/2007), Cherry Yeh (DATE: 06/23/2007), Hank Hsu (DATE: 06/23/2007)

TOLERANCE: X: ±0.30, XX: ±0.25, XXX: ±0.15, XXXX: ±0.08, ANGULAR: ±2°

UNLESS OTHERWISE SPECIFIED

SCALE: NA, SHEET 4 OF 5, DRAWING NO. T441-G40MRXXXXXXEU, REV. B

Amphenol®  
Amphenol Corporation  
Amphenol Taiwan Corporation

MINI SAS COMBO TYPE  
B/M R/A CONNECTOR

APPROVALS: Danel Hsieh (DATE: 06/23/2007), Danel Hsieh (DATE: 06/23/2007), Cherry Yeh (DATE: 06/23/2007), Hank Hsu (DATE: 06/23/2007)

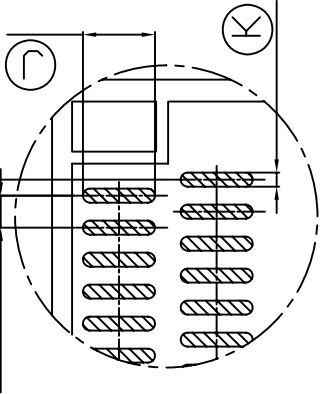
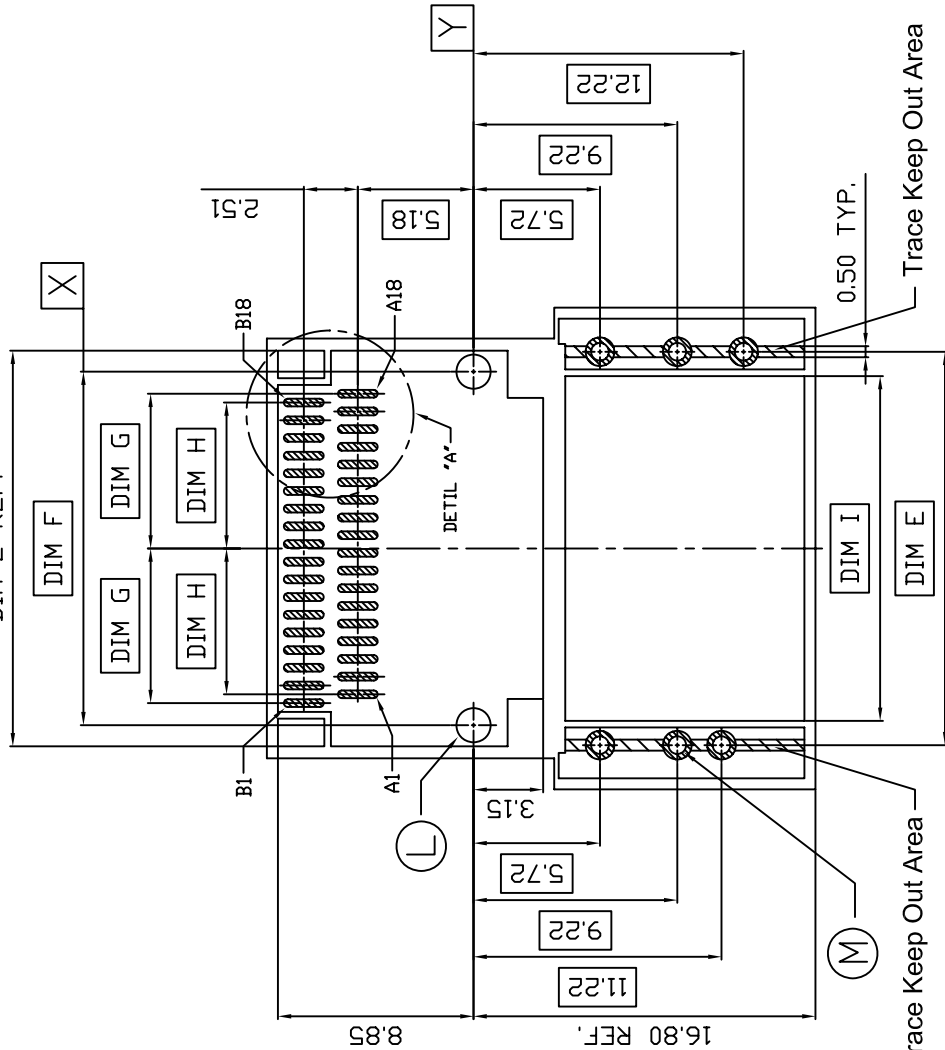
TOLERANCE: X: ±0.30, XX: ±0.25, XXX: ±0.15, XXXX: ±0.08, ANGULAR: ±2°

UNLESS OTHERWISE SPECIFIED

This document is the property of Amphenol Corporation and is delivered on the express condition that it is not to be disclosed, reproduced or used, in whole or in part, for manufacture or sale by anyone other than Amphenol Corporation without its prior consent, and that no right is granted to disclose or to use any information in this document.

# CUSTOMER DRAWING

1  
0.40 TYP.  
0.80 TYP.



DETAIL "A"

Pointed	Dim. (J)	1.80±0.03 TYP.	⊕	∅0.05	⊖	X	Y
	Dim. (K)	0.35±0.03 TYP.	⊕	∅0.05 <td>⊖ <th>X</th> <th>Y</th> </td>	⊖ <th>X</th> <th>Y</th>	X	Y
	Dim. (L)	∅1.55±0.05 (x2)	⊕	∅0.05 <td>⊖ <th>X</th> <th>Y</th> </td>	⊖ <th>X</th> <th>Y</th>	X	Y
	Dim. (M)	∅0.80±0.08 PTH.(x6)	⊕	∅0.05 <td>⊖ <th>X</th> <th>Y</th> </td>	⊖ <th>X</th> <th>Y</th>	X	Y

POSITION	DIM E	DIM F	DIM G	DIM H	DIM I
26	13.80	12.00	5.00	4.60	11.80
36	17.80	16.00	7.00	6.60	15.80
50	23.40	21.60	9.80	9.40	21.40
68	30.60	28.80	13.40	13.00	28.60

RIGHT ANGLE CONNECTOR  
RECOMMEND PCB LAYOUT

TOLERANCE	m/m	APPROVALS	DATE	TITLE
x.	±0.30	<small>DRAWN</small> Danel Hsieh	06/23/2007	<b>Amphenol®</b> <b>Amphenol Corporation</b> <b>Amphenol Taiwan Corporation</b>  MINI SAS COMBO TYPE B/M R/A CONNECTOR
x-x	±0.25	<small>DESIGNED</small> Danel Hsieh	06/23/2007	
x-xx	±0.15	<small>CHECKED</small> Chenny Yeh	06/23/2007	
x-xxx	±0.08	<small>APPROVED</small> Hank Hsu	06/23/2007	
ANGULAR	±2°	<small>UNIT</small> MM		SCALE NA SHEET 5 OF 5 DRAWING NO. T441-G40MRXXXXXEU REV. B

Amphenol®  
Amphenol Corporation  
Amphenol Taiwan Corporation

MINI SAS COMBO TYPE  
B/M R/A CONNECTOR

SCALE NA SHEET 5 OF 5  
DRAWING NO. T441-G40MRXXXXXEU  
REV. B



UNLESS OTHERWISE SPECIFIED

**PART NUMBER SYSTEM** **PNS-G40M Rev. B**

**G40M X XX X X X X X XX**

**Mini SAS Internal Connector  
Combined Type  
Board Mount**

**Environment Code**

LF: Sony GP  
EU: RoHS

**Connector Style**

V: Vertical Type  
R: Right Angle Type

**Variation Code**

Blank: Standard

**Contact Pos**

26: 26 Pos  
36: 36 Pos  
50: 50 Pos  
68: 68 Pos

**Packaging Code**

A: Tray  
B: Tape & Reel

**Cage Type**

1: Dip Type, GND  
pin length= 2.80mm  
2: Dip Type, GND  
pin length= 3.40mm  
3: SMT type  
4: Dip Type, GND  
pin length= 4.00mm

**Key Options**

L: Left Key Shell (for Left Key Plug)  
R: Right Key Shell (for Right Key Plug)  
U: Universal Shell (for No Key Plug)  
D: Dual Key Shell (for Universal Plug)

**Contact Finish**

1: Gold 15 μ"  
2: Gold 30 μ"

- ALL CONTACTS ARE IN 50μ" NICKEL UNDERPLATE
- ALL SPECIFIED NUMBERS ARE MINIMUM THICKNESS OF PLATING.
- THE VARIATION CODE MAY SUPERSEDE SOME MAJOR SPECIFICATIONS DEFINED BY THIS STANDARD PART NUMBER SYSTEM. FOR PART NUMBER WITH A VARIATION CODE. PLEASE REFER TO THE SPECIFIC SET OF DATASHEETS RELEASED FOR THAT VARIATION CODE.

				<b>TITLE</b>		<b>PRODUCT SERIES</b>	
				<b>Mini SAS Connector Part Number</b>		<b>G40M</b>	
						<b>Series</b>	
				This document is the property of Amphenol Corporation and is delivered on the express condition that it is not to be disclosed, reproduced or used, in whole or in part, for manufacture or sale by anyone other than Amphenol Corporation without its prior consent, and that no right is granted to disclose or to use any information in this document.			
B		Hank Hsu	06/23/2007				
A		Edward Wu	08/29/2006				
SYM	ECN NO.	APPROVED	DATE				
PREPARED			DATE	CHECKED		DATE	APPROVED
							DATE