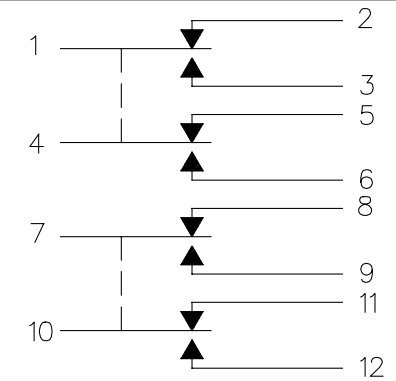


MICRO SWITCH
a Honeywell Division

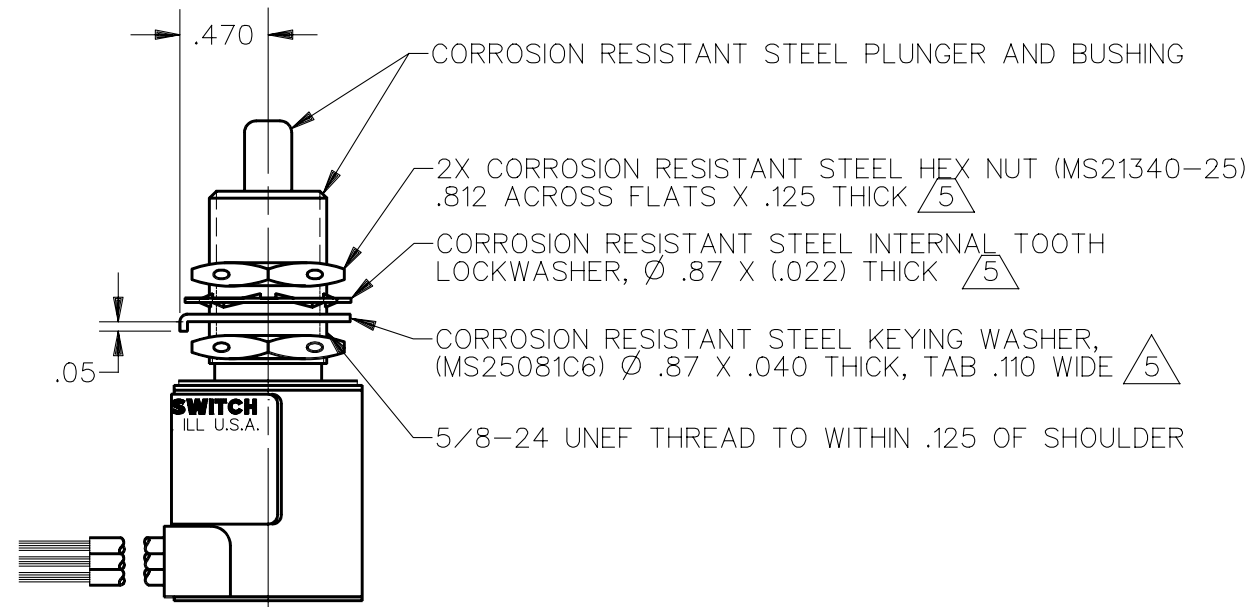
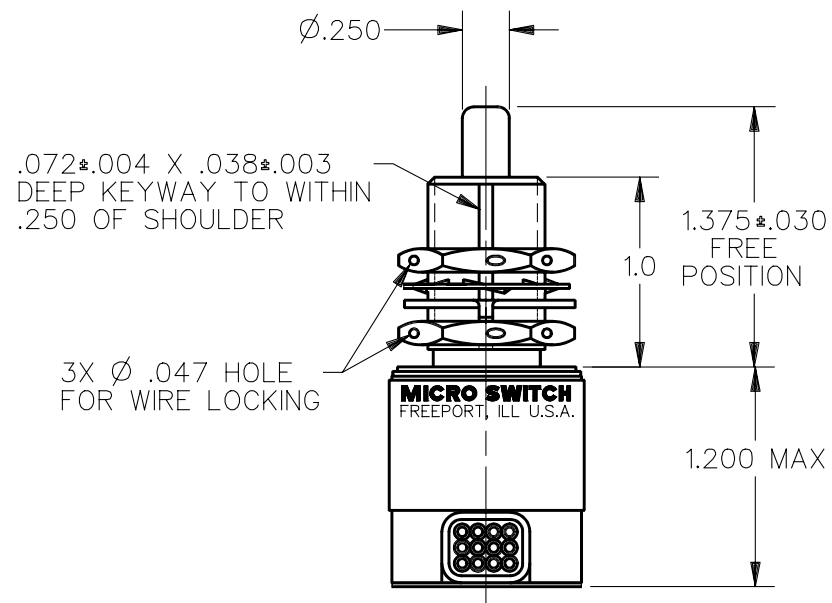
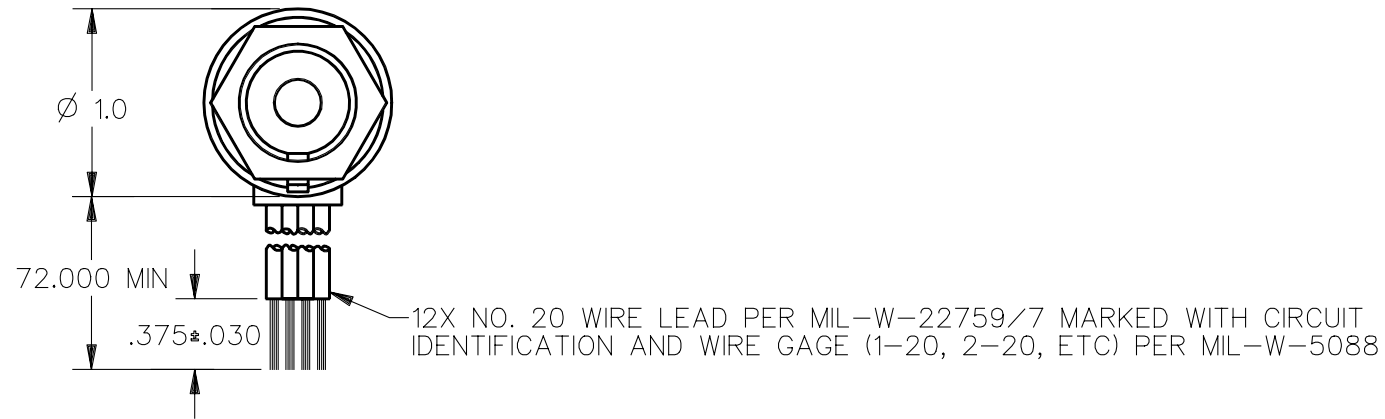
FED. MFG. CODE 91929

SWITCH-ENCLOSED

CATALOG LISTING
404HE2-6

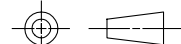


CIRCUIT DIAGRAM



- NOTES
- 1 - CORROSION RESISTANT STEEL ENCLOSURE
 - 2 - SWITCH SEALED PER MIL-S-8805 SYMBOL 5
 - 3 - CIRCUIT DIAGRAM AND CATALOG LISTING ARE SHOWN ON NAMEPLATE
 - 4 - COINCIDENCE OF OPERATING AND RELEASING POINTS: .010 INCH OF PLUNGER TRAVEL
 - 5 - HARDWARE MAY BE PACKAGED UNASSEMBLED PER MIL-S-8805

THIRD ANGLE PROJECTION



SCALE FULL

DO NOT SCALE PRINT

UNLESS OTHERWISE SPECIFIED TOLERANCES ARE

ONE PLACE	(.0)	±.030
TWO PLACE	(.00)	±.015
THREE PLACE	(.000)	±.005
ANGLES		±

WEIGHT

ANSI Y14.5M-1982 APPLIES

404HE2-6
 M
 DRAWING NUMBER
 2
 ISSUE
 REVISIONS
 A RELEASE PR20158 WLS 17 JUN 92
 CHECK
 CHECK
 CHECK
 DDM/CAD
 DRAWN
 WLS 17 JUN 92
 CHECK
 RELEASE NO. PR-20158
 REPLACES

THIS DRAWING COVERS A PROPRIETARY ITEM AND IS THE PROPERTY OF MICRO SWITCH, A DIVISION OF HONEYWELL. THIS DRAWING IS NOT TO BE COPIED OR USED WITHOUT THE APPROVAL OF MICRO SWITCH

CHARACTERISTICS	ELECTRICAL DATA
OPERATING FORCE ——— 6 -12 LB	CONTACT ARRANGEMENT
FULL OVERTRAVEL FORCE --- 30 LB MAX	4X S P D T (GOLD CONTACTS)
RELEASE FORCE ———— 4 LB MIN	28 VDC
PRETRAVEL ———— .040 MAX	LOAD SEA LEVEL AND 100,000 FT
DIFFERENTIAL TRAVEL — .020 MAX	RES 1.0
OVERTRAVEL ———— .250 MIN	IND 0.5

Mouser Electronics

Authorized Distributor

Click to View Pricing, Inventory, Delivery & Lifecycle Information:

[Honeywell:](#)

[404HE2-6](#)