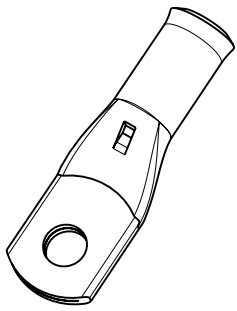
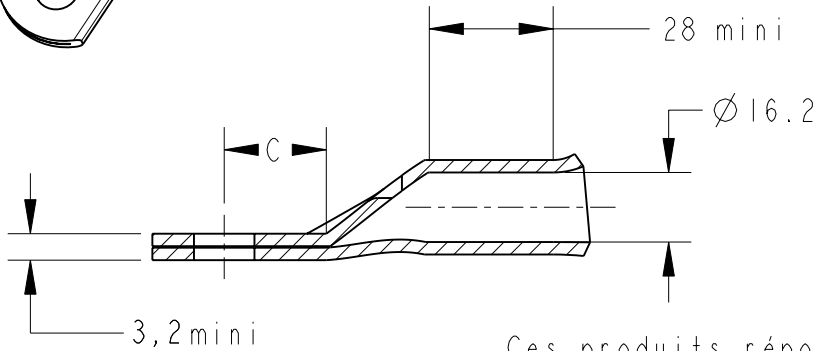


LOC		DIST		REVISIONS				
P	LTR	REV	DESCRIPTION	DATE	DWN	DESS.	APVD	
			MODIFICATIONS				APP.	
	D		MISE A JOURS / AJOUT NOTA	07DEC2009	BG		GP	
	E		ECR-11-018538	07SEP2011	LP		NA	



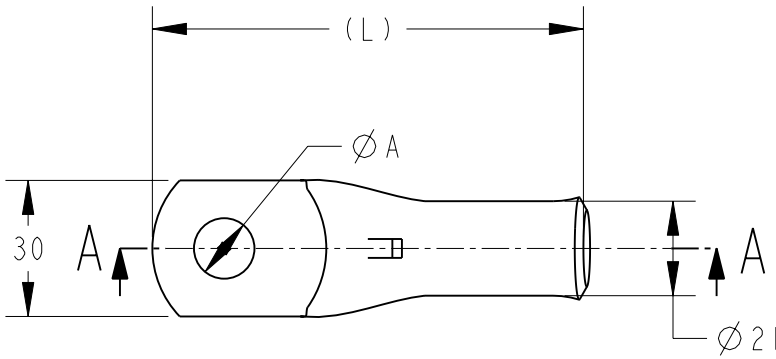
COUPE A-A



Inspection hole



Ces produits répondent à la norme NFC 20-130.  
 These products are NFC 20-130 compliant.



(L)	C	ØA	DESCRIPTION	PART NUMBER
81,5	16,3	10,3	XCT 150-10	709821-2
81,5	16,3	12,8	XCT 150-12	709821-3
81,5	16,3	14,5	XCT 150-14	709821-4
81,5	16,3	16,5	XCT 150-16	709821-5

- 1 - MATERIAL = TINNED COPPER
- 2 - Marking in depth: logo-section-hole-Made in France +
- 3 - CABLE SECTION = 300 MCM or 150 mm<sup>2</sup>
- 4 - GROOVE E150Cu OR DIE (Punch I7PC240+ Die I7MI50)


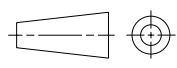
20

RELEASED FOR PUBLICATION  
 LIBRE A LA DIFFUSION

ALL RIGHTS RESERVED.  
 TOUS DROITS RESERVES.

THIS DRAWING IS UNPUBLISHED.  
 DIFFUSION RESTREINTE

© COPYRIGHT 20

DIMENSIONS: mm		DWN/DESSINE D. LEROY	15DEC00	MATERIAL MATIERE	CUIVRE	TOLERANCES UNLESS OTHERWISE SPECIFIED TOLERANCES NON SPECIFIEES:	-	
<del>                     TOLERANCES UNLESS                      OTHERWISE SPECIFIED:                      TOLERANCES NON SPECIFIEES                      (SUIV NB DE DECIMALES):                      0 PLC/DEC: ±0                      1 PLC/DEC: ±0                      2 PLC/DEC: ±0                      3 PLC/DEC: ±0                      4 PLC/DEC: ±0                      ANGLES ±                 </del>		CHK/VERIFIE E. DEREY	-	 TE Connectivity				
		APVD/APPROUVE N. ALMEIDA	-					
		PRODUCT SPEC SPEC. PRODUIT	-	NAME TITRE	XCT 150-..			
		APPLICATION SPEC SPEC. APPLICATION	-	SIZE FORMAT	CAGE CODE	DRAWING NO No PLAN	RESTRICTED TO RESERVE A	
		WEIGHT MASSE APPROX.	A4	00779	©=709821	-		
CUSTOMER DRAWING		/PLAN CLIENT		UNIQUEMENT POUR REFERENCE	SCALE ECHELLE - / -	SHEET FEUILLE	OF DE	REV E