

1

2

3

4

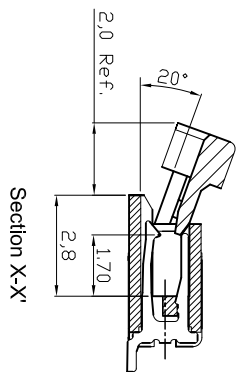
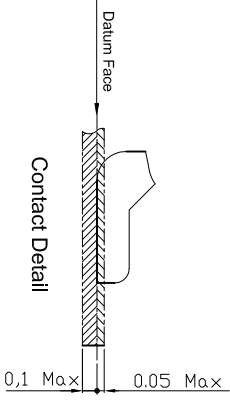
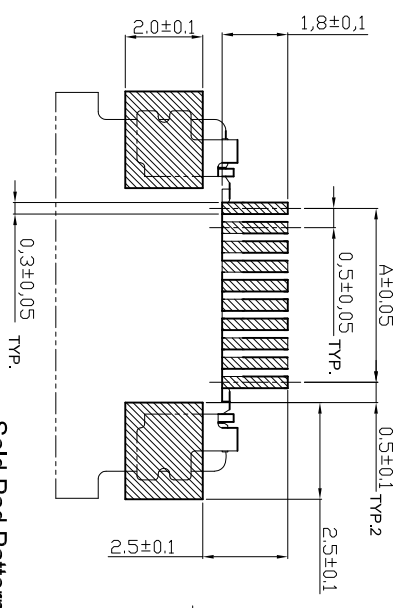
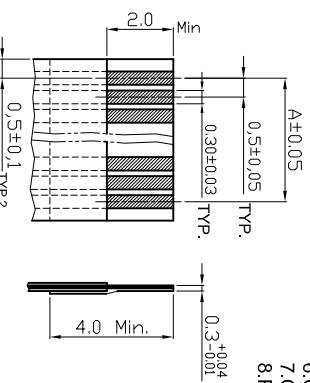
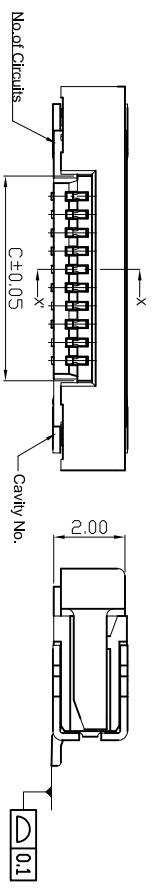
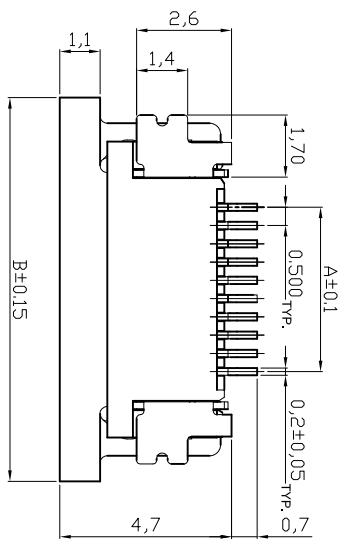
5

6

7

**NOTES:**

- 1. Body : Glass filled Polyamide UL94V-0  
Color Nature(Ivory)
- 2. Slider : High Temperature plastic UL94V-0  
Color Black
- 3. Contact : Copper alloy with Tin plated
- 4. Fixed tab : Copper alloy with Tin plated
- 5. Plating : 3.05um(120µ")Min. Tin  
over 0.76um(30µ")Nickel
- 6. Contact style: Downside contact
- 7. Color: Nature
- 8. Packing : R=Tape & Reel  
T=Tube Packing



**RoHS compliant**

Scale	1:1										
TOLERANCE											
.X	±0.15				Drawn	Date	30.04.2007	Name	Hellwig		
.XX	±0.10				Approved	Date	04.01.2010	Name	Hellwig		
.XXX	±0.05	③	Delete dimension of inch								
DIM	TOL	②	Add packing drawing								
X.°	±1°	①	Drawn								
X.X°	±X°										
Angle	TOL		Id.	Modification							



Customer-No.	
ASSMANN WSW-No.	
AFFC20-xx-050-SHB-R	
AFFC20-xx-050-SHB-T	
Drawing-No.	
ASS 2215 CO	rev03
Replace	SHEET 1/2

1

2

3

4

5

6

7

SV/411-8

1

2

3

4

5

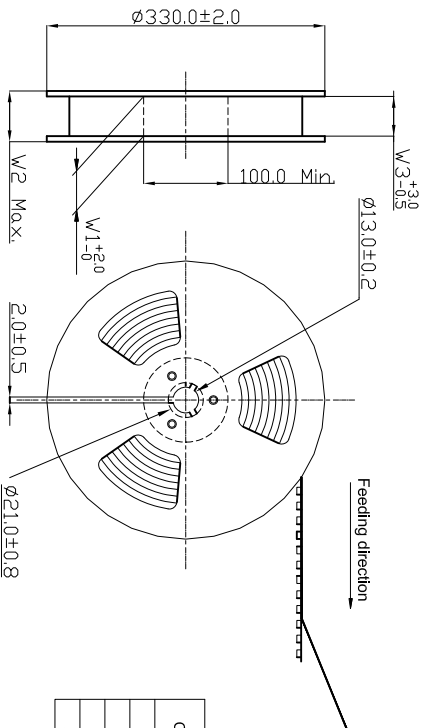
6

7

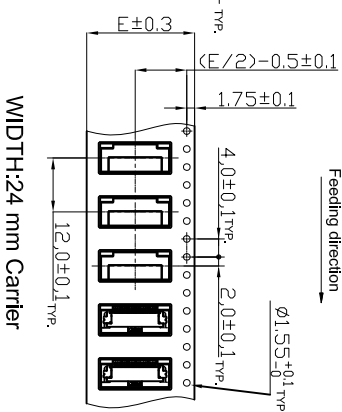
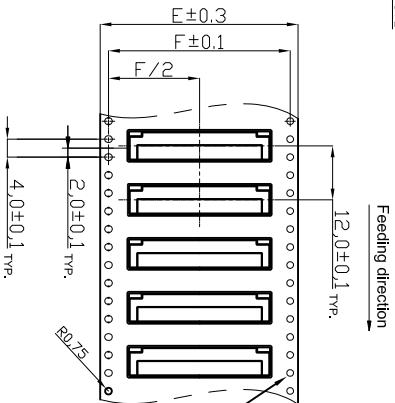
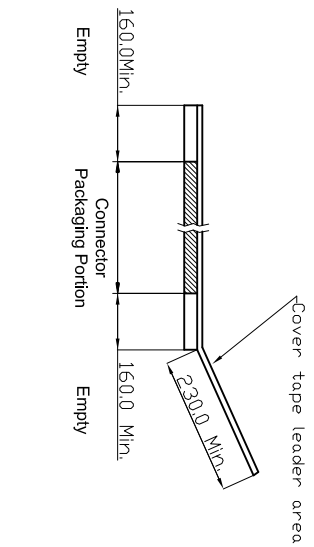
A

## NOTES:

- 1.Reel Material:HIPS
- 2.Carrier Material : Clear, Conductive Polystyrene Alloy
- 3.Cover Tape Material: Polyester
- 4.Cover Tape Peel Strength: 0.1N-1.3N
- 5.Carrier camber is within 1mm in 100mm
- 6.All dimensions meet EIA-481-2&EIA-481-3 requirements
- 7.Quantity:2000 PCS/Reel



Circuits	Dimension			Packing (Reel/Carton)
	E	F		
4-21	24.0	-	24.5	9
22-31	32.0	28.40	32.5	7
32-52	44.0	40.40	44.5	5
53-55	56.0	52.40	56.5	4



WIDTH:32,44,56 mm Carrier

WIDTH:24 mm Carrier

RoHS compliant

G

Scale	Free
TOLERANCE	
.X	$\pm X$
.XX	$\pm X$
.XXX	$\pm X$
DIM	TOL
X.°	$\pm 1^\circ$
X.X°	$\pm X^\circ$
Angle	TOL

Customer-No.

G

G

.X	$\pm X$
.XX	$\pm X$
.XXX	$\pm X$
DIM	TOL
X.°	$\pm 1^\circ$
X.X°	$\pm X^\circ$
Angle	TOL

ASSMANN WSW-No.  
AFFC20-xx-050-SHB-R  
AFFC20-xx-050-SHB-T

G

H

.X	$\pm X$
.XX	$\pm X$
.XXX	$\pm X$
DIM	TOL
X.°	$\pm 1^\circ$
X.X°	$\pm X^\circ$
Angle	TOL

Drawing-No.  
ASS 2215 CO  
rev03

H

H

.X	$\pm X$
.XX	$\pm X$
.XXX	$\pm X$
DIM	TOL
X.°	$\pm 1^\circ$
X.X°	$\pm X^\circ$
Angle	TOL

Replace  
SHEET 2/2

H

1

2

3

4

5

6

7

SV1411-8

**ASSMANN**  
WSW/ components

ASS 2215 CO

rev03

H