



USB 2.0

# MIL-DTL-38999 Series III Type Connectors



233-341 USB 2.0 Type A receptacle to size 22D crimp removable contacts



Plug Front View



Jam Nut Receptacle Front View



Square Flange Receptacle Rear View

How to Order	
Sample Part Number	233-341 NF 00 -15 2 A N H T
Basic Number	233-341
Finish <sup>1</sup>	See Material and Finishes table <sup>1</sup>
Connector Style <sup>1</sup>	See connector style table
Shell Size	15
RJ45 Category	2 = USB 2.0
USB Interface Type	A = Type A
Alternate Key Position <sup>1</sup>	A, B, C, D, E, N = Normal; per MIL-DTL-38999
USB Orientation	H = Horizontal V = Vertical
Shrink Boot	T = Shrink Boot (Omit for None)

**233-341 Superseded by 233-345**

Materials and Finishes <sup>1</sup>	
NF	Cadmium olive drab
M	Electroless nickel
MT	Nickel PTFE

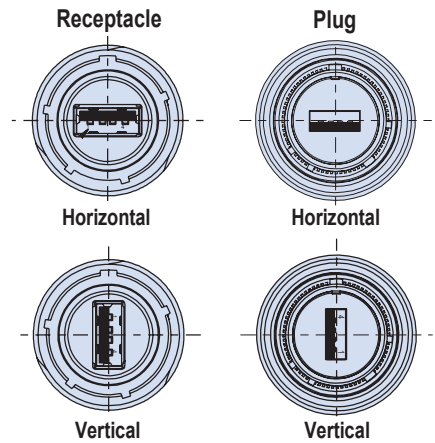
Connector Style <sup>1</sup>	
00	Square flange receptacle with slotted holes
07	Jam nut receptacle
D0	Wall mount receptacle with slotted holes
CM	Wall mount receptacle with metric clinch nuts
G6	Plug

## NOTES

1. See Section A for alternate key positions, panel cutout dimensions and complete material and finish options
2. Front panel mount only
3. All external dimensions, features, etc. Compliant with D38999/20, /24 & /26. Consult factory for additional information

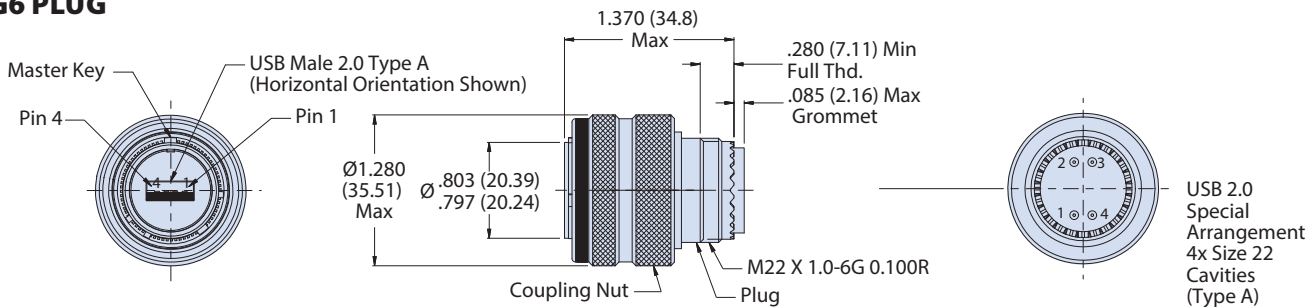
USB 2.0 Wiring				
Pin	Name	Cable Color (USB)	Description	Recommended Wire Sizes (AWG)
1	(V Bus)	Red	+5V	22
2	(D-)	White	Data -	28
3	(D+)	Green	Data +	28
4	(GND)	Black	Ground	22

## USB Orientation Options (Partial Views Shown)



*All external dimensions, features, etc. compliant with D38999/20, /24, & /26. Consult factory for additional information.*

## G6 PLUG





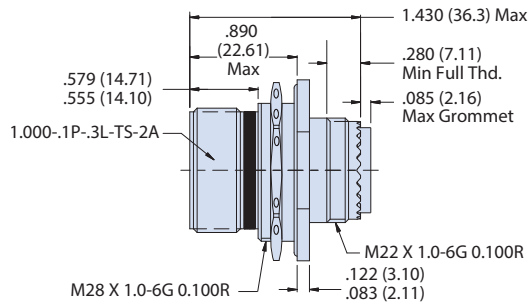
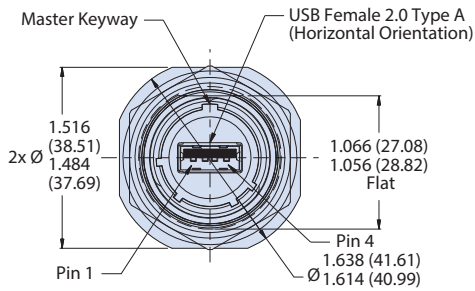
USB 2.0

# MIL-DTL-38999 Series III Type Connectors

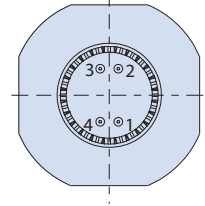


233-341 USB 2.0 Type A receptacle  
to size 22D crimp removable contacts

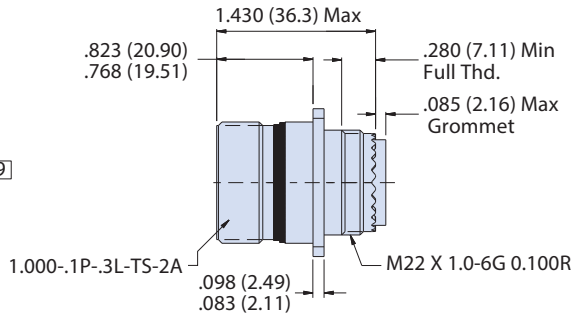
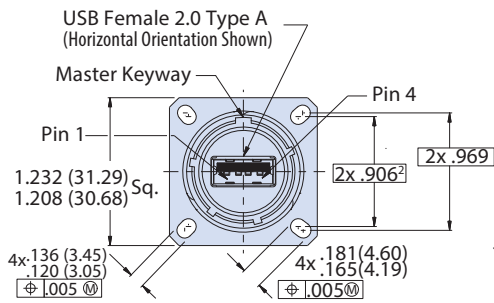
## 07 - REAR PANEL MOUNT, JAM NUT RECEPTACLE WITH ACCESSORY THREADS



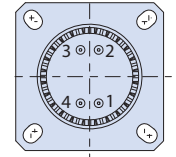
USB 2.0  
Special Arrangement  
4x Size 22 Cavities  
(Type A)



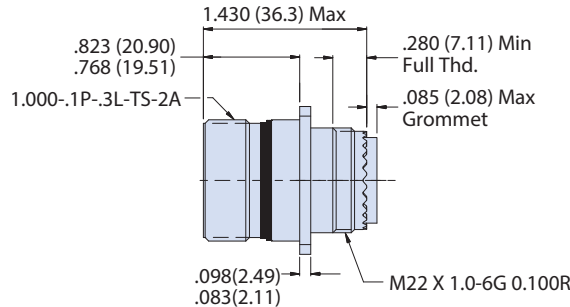
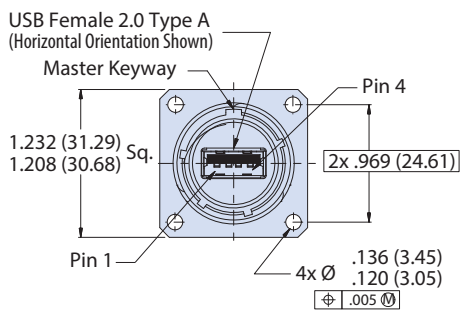
## 00 WALL MOUNT RECEPTACLE WITH ACCESSORY THREADS



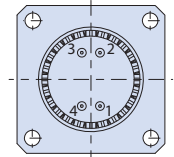
USB 2.0 Special Arrangement  
4x Size 22 Cavities  
(Type A)



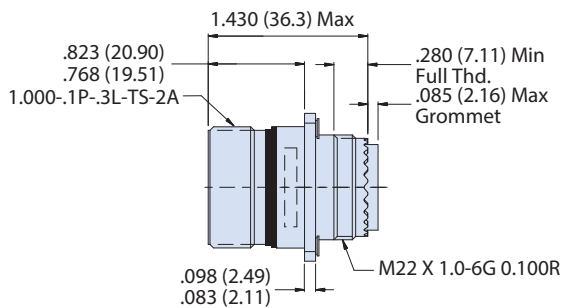
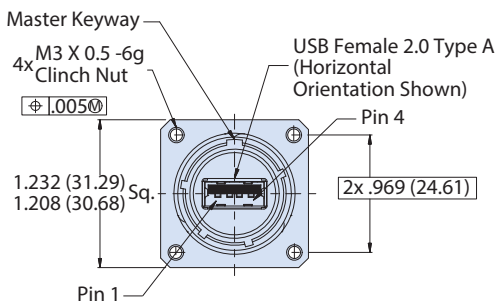
## DO - WALL MOUNT RECEPTACLES WITH ACCESSORY THREADS



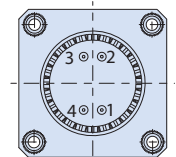
USB 2.0  
Special Arrangement  
4x Size 22 Cavities  
(Type A)



## CM - WALL MOUNT RECEPTACLES WITH ACCESSORY THREADS



USB 2.0  
Special Arrangement  
4x Size 22 Cavities  
(Type A)



# Mouser Electronics

Authorized Distributor

Click to View Pricing, Inventory, Delivery & Lifecycle Information:

[Glenair:](#)

[233-341NF00-152ANH](#) [233-341NF07-152ANH](#) [233-341NFG6-152ANHT](#) [233-341NFG6-152ANV](#) [233-341NFG6-152ANH](#) [233-341XM00-152ANH](#)