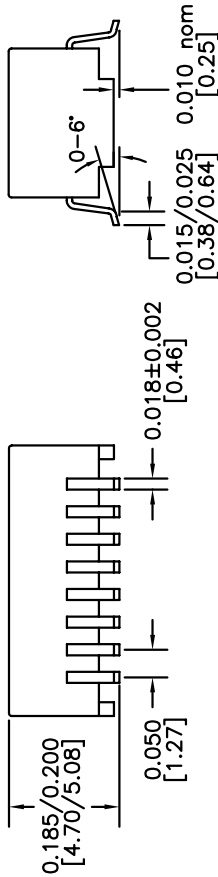
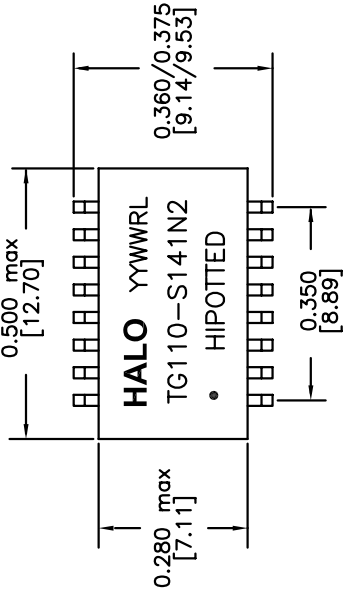


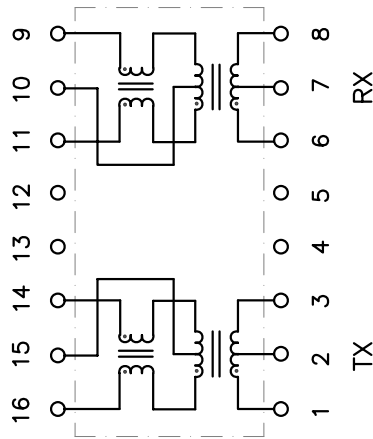


PART NO.: TG110-S141N2RL

16PIN SMT ISOLATION MODULE FOR 10/100BASE-TX
 IEEE802.3u APPLICATIONS
 RoHS COMPLIANT
 COMPATIBLE TO LEAD-FREE SOLDERING PROCESS
 CONDITION PER IPC/JEDEC J-STD-020C
 OPERATING TEMPERATURE 0/+70°C



DIMENSIONS: Inch [mm]
 CO-PLANARITY: 0.004 [0.10]
 TOLERANCES: ±0.005 INCH IF NOT SPECIFIED



ELECTRICAL SPECIFICATIONS @25° C

TURNS RATIO
 TX P1-3:P16-14 1CT:1.41CT ±3%
 RX P6-8:P11-9 1CT:1CT ±3%

OCL (100KHZ,0.1Vrms,8mA)
 P16-14,P11-9 350µH min
 0.9Ω max

DCR P1-3,P6-8 0.4µH max
LL P1-3,P6-8 35pF max
Cw/w

TYPICAL RETURN LOSS
 0.5-30MHz -18dB min
 40MHz -15.5dB min
 50MHz -13.6dB min
 60-80MHz -10dB min

CROSSTALK 0.1-100MHz -40dB min
CMR 0.1-100MHz -40dB typ
ISOLATION 1,500Vrms

HALO/PBL	TITLE	TRANSFORMER "ULTRA" SERIES	SIGNATURES	DATE	REV.	DESC.	DATE
	FOR	FAST ETHERNET	DRAWN	PETER LU	7/28/04	A	FIRST ISSUE
	PART NO.	TG110-S141N2RL	CHECKED	LEI KEONG	7/28/04		
SCALE	NONE	PAGE	1 OF 1	APPROVED	PETER LU	7/28/04	
CALIFORNIA, USA KOWLOON, HONG KONG SINGAPORE		FILE	S141N2RL.DWG				