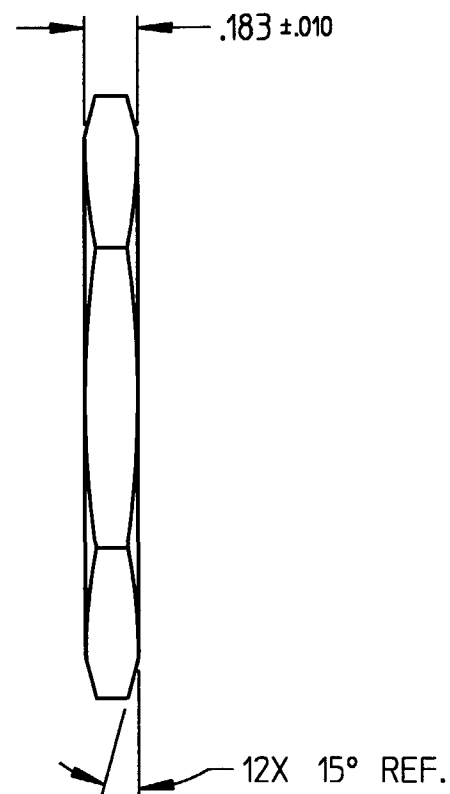
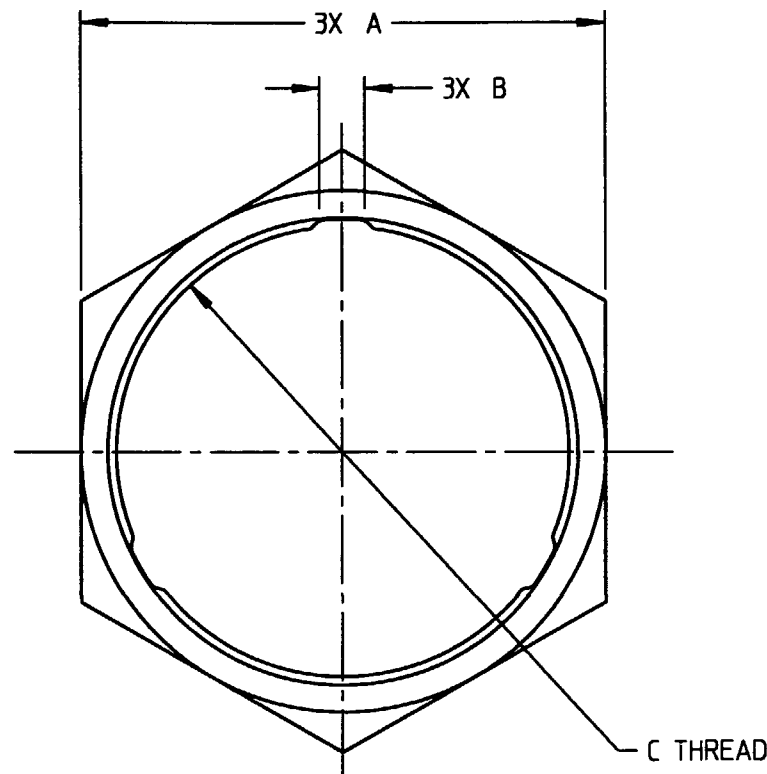


PROPERTY OF DEUTSCH E.C.D.
 This drawing contains proprietary information that shall not be disclosed, duplicated,
 nor used in whole or in part for any purpose other than to evaluate this drawing.

N/C 0926-208-***01

REVISIONS			
REV	DESCRIPTION	DATE	APPROVED
N/C	NEW RELEASE PER PER E.O. C2140	11-13-95	BTH



SIZE **	A ±.010	B ±.010	C THREAD
20	1.562	.106	1.3750-18 UNEF-2B
24	1.812	.150	1.6250-18 UNEF-2B

- 2. MATERIAL: HIGH STRENGTH COMPOSITE (BLACK).
- 1. ALL DIMENSIONS ARE IN INCHES.

SIGNATURE & DATE	
DR	R. GROSS 8-4-95
CHK	<i>[Signature]</i>
PE	R. Gross 8-4-95
APPD	
SCALE	NONE WT

COMPOSITE PANEL NUT
 WORLD TERMINATION SERIES
 WITHOUT SAFETY WIRE HOLES
 ENVELOPE

CP	MATL CODE
DEUTSCH	
ENGINEERED CONNECTING DEVICES	
36033 Whittier Ave. Hemet, California	
A	0926-208-***01
DWG SIZE	CODE 1139
	SHEET 1 OF 1

0926-208-XX01.dwg

Mouser Electronics

Authorized Distributor

Click to View Pricing, Inventory, Delivery & Lifecycle Information:

[TE Connectivity:](#)

[0926-208-2401](#) [0914-212-2086](#) [0926-207-2487](#)