


CAMBLOCK

5mm Pitch Pluggable Rising Clamp Terminal Blocks

PCB
TERMINAL
BLOCKS

- 2-24 pole solid block
- Pluggable male-female connectors
- Open & closed headers
- Horizontal & vertical female plug styles
- Polarised mouldings
- Moulded in green UL94-V0 flame retardant PA66
- Professional rising clamp terminals
- 0.2-3.3mm² (24-12AWG) solid & stranded cable
- Captive screws
- Guided pin alignment
-  us approved

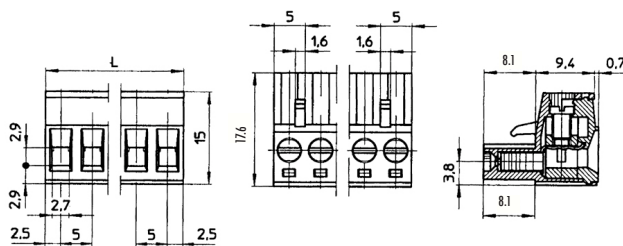
SPECIFICATION

Rating	15A 300V
Insulation resistance	1000M Ω/1000V
Withstand voltage	AC1000V/1min
Contact resistance	20m Ω
Working temperature	-40°C to +105°C
Mouldings	UL94-V0 flame retardant PA66
Wire protector	Tin plated, phosphor bronze
Screw/torque	M3 steel, tin plated 0.4Nm
Recommended PCB hole size	ø1.4mm

Female Connector

TYPE NO.	POLES	LENGTH
CTB9202/2	2	10mm
CTB9202/3	3	15mm
CTB9202/4	4	20mm
CTB9202/5	5	25mm
CTB9202/6	6	30mm
CTB9202/7	7	35mm
CTB9202/8	8	40mm
CTB9202/9	9	45mm
CTB9202/10	10	50mm
CTB9202/11	11	55mm
CTB9202/12	12	60mm
CTB9202/13	13	65mm
CTB9202/14	14	70mm
CTB9202/15	15	75mm
CTB9202/16	16	80mm
CTB9202/17	17	85mm
CTB9202/18	18	90mm
CTB9202/19	19	95mm
CTB9202/20	20	100mm
CTB9202/21	21	105mm
CTB9202/22	22	110mm
CTB9202/23	23	115mm
CTB9202/24	24	120mm

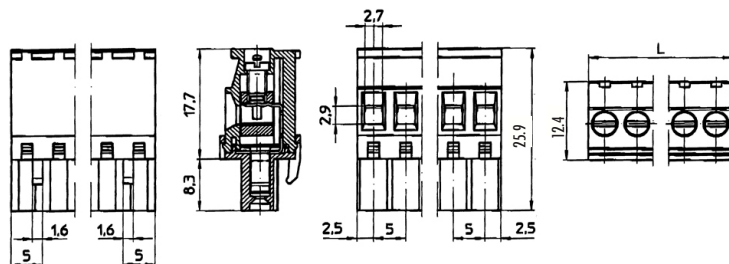
CTB9202



Female Connector Vertical (standard)

TYPE NO.	POLES	LENGTH
CTB922VG/2S	2	10mm
CTB922VG/3S	3	15mm
CTB922VG/4S	4	20mm
CTB922VG/5S	5	25mm
CTB922VG/6S	6	30mm
CTB922VG/7S	7	35mm
CTB922VG/8S	8	40mm
CTB922VG/9S	9	45mm
CTB922VG/10S	10	50mm
CTB922VG/11S	11	55mm
CTB922VG/12S	12	60mm
CTB922VG/13S	13	65mm
CTB922VG/14S	14	70mm
CTB922VG/15S	15	75mm
CTB922VG/16S	16	80mm
CTB922VG/17S	17	85mm
CTB922VG/18S	18	90mm
CTB922VG/19S	19	95mm
CTB922VG/20S	20	100mm
CTB922VG/21S	21	105mm
CTB922VG/22S	22	110mm
CTB922VG/23S	23	115mm
CTB922VG/24S	24	120mm

CTB922VG/S

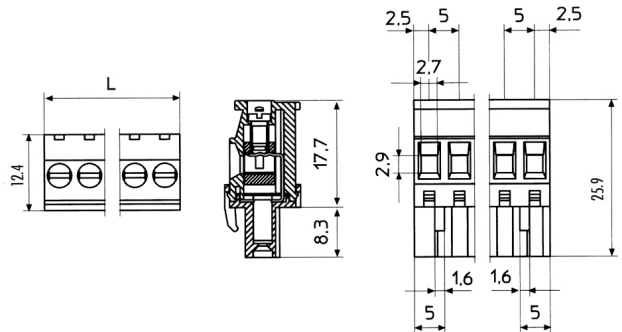


CAMBLOCK

Female Connector Vertical (reversed)

TYPE NO.	POLES	LENGTH
CTB922VG/2R	2	10mm
CTB922VG/3R	3	15mm
CTB922VG/4R	4	20mm
CTB922VG/5R	5	25mm
CTB922VG/6R	6	30mm
CTB922VG/7R	7	35mm
CTB922VG/8R	8	40mm
CTB922VG/9R	9	45mm
CTB922VG/10R	10	50mm
CTB922VG/11R	11	55mm
CTB922VG/12R	12	60mm
CTB922VG/13R	13	65mm
CTB922VG/14R	14	70mm
CTB922VG/15R	15	75mm
CTB922VG/16R	16	80mm
CTB922VG/17R	17	85mm
CTB922VG/18R	18	90mm
CTB922VG/19R	19	95mm
CTB922VG/20R	20	100mm
CTB922VG/21R	21	105mm
CTB922VG/22R	22	110mm
CTB922VG/23R	23	115mm
CTB922VG/24R	24	120mm

CTB922VG/R

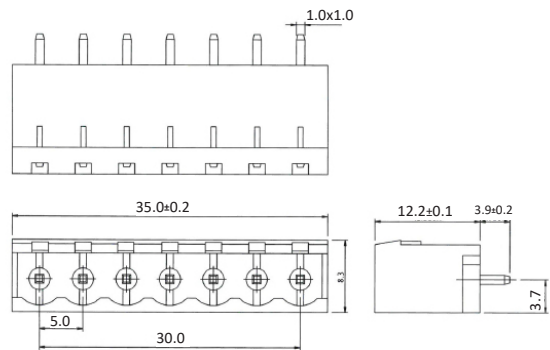


PCB
TERMINAL
BLOCKS

PCB Mounting Male Vertical (closed ended)

TYPE NO.	POLES	LENGTH
CTB9302/2	2	11.2mm
CTB9302/3	3	16.2mm
CTB9302/4	4	21.2mm
CTB9302/5	5	26.2mm
CTB9302/6	6	31.2mm
CTB9302/7	7	36.2mm
CTB9302/8	8	41.2mm
CTB9302/9	9	46.2mm
CTB9302/10	10	51.2mm
CTB9302/11	11	56.2
CTB9302/12	12	61.2mm
CTB9302/13	13	66.2mm
CTB9302/14	14	71.2mm
CTB9302/15	15	76.2mm
CTB9302/16	16	81.2mm
CTB9302/17	17	86.2mm
CTB9302/18	18	91.2mm
CTB9302/19	19	96.2mm
CTB9302/20	20	101.2mm
CTB9302/21	21	106.2mm
CTB9302/22	22	111.2mm
CTB9302/23	23	116.2mm
CTB9302/24	24	121.2mm

CTB9302



+44 (0)1638 716101
info@camdenboss.com
www.camdenboss.com

We operate a constant improvement policy, our products are subject to change without notice.

Ver 1

