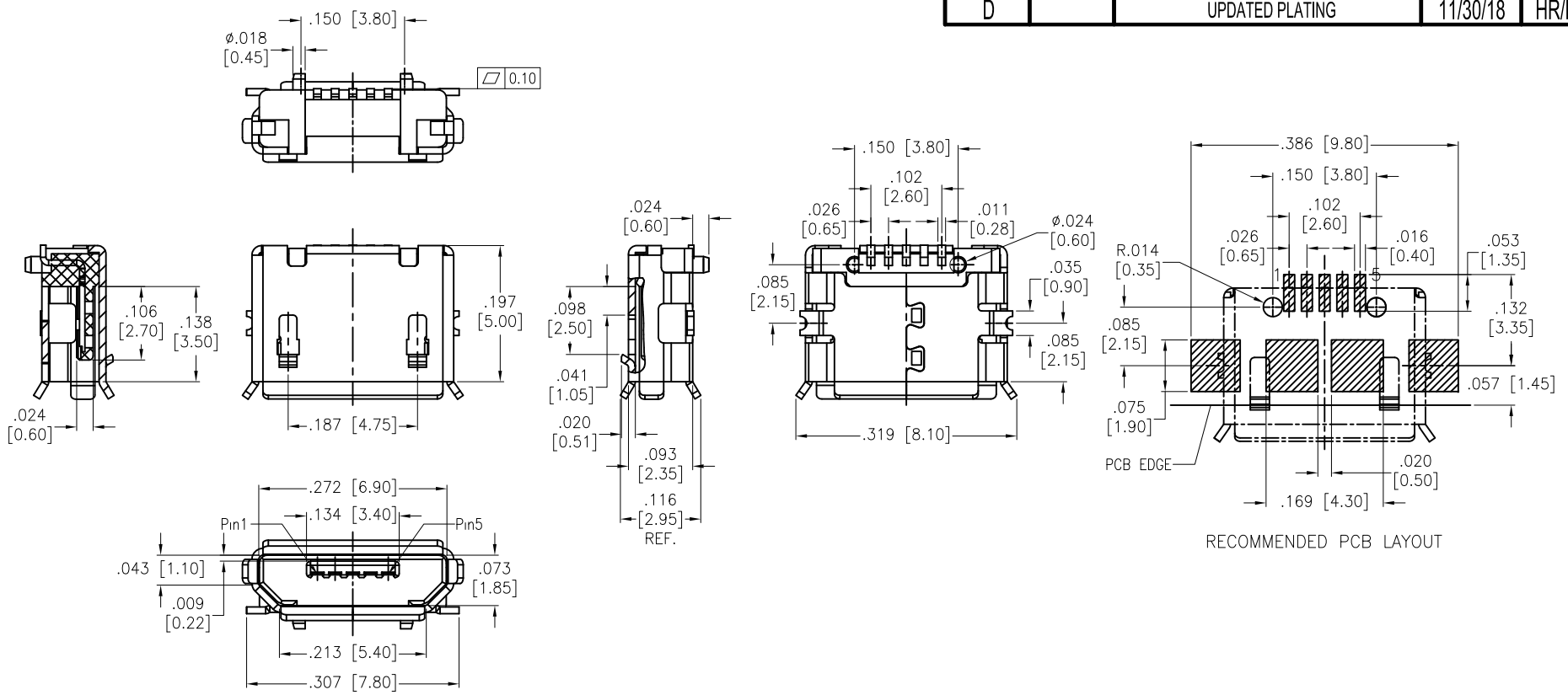


APPROVED: _____
 DATE: _____ TITLE: _____

Rev	AWO #	Description	Date	Appr
-		RELEASED	6/27/07	
A		REDRAWN	9/18/14	HR/NP
B		UPDATED DRAWING	11/20/17	HR/RC
C		UPDATED SPEC.	6/8/18	HR/DH
D		UPDATED PLATING	11/30/18	HR/DH



SPECIFICATIONS:

Material:
 Insulator: Hi-temp thermoplastic, rated UL 94V-0
 Insulator color: Black
 Contacts: Brass
 Shell: Brass, Nickel plated
 Plating:
 Gold flash over Nickel underplate overall
Electrical:
 Current rating: (1, 5 Pin): 1.8A Max / (2, 3, 4Pin): 1A Max.
 Contact resistance: 30 milliohms max.
 Insulation resistance: 100 Megohms min.
 Dielectric withstand voltage: 100 VAC for 1 minute
 Temperature Rating:
 -30°C to +80°C
Environmental:
 Lead free, RoHS compliant.



PACKAGED ON TAPE & REEL

UNLESS OTHERWISE SPECIFIED ALL DIMENSIONS ARE INCHES [MM] TOLERANCES: EXCEPT AS NOTED INCHES HOLES .X ± .10 Ø.X ± .10 .XX ± .020 Ø.XX ± .015 .XXX ± .015 Ø.XXX ± .010		ADAM TECH INTERCONNECTS 909 Rahway Avenue, Union, NJ 07083 Phone: 908-687-5000 Fax: 908-687-5710	
APPROVALS		DATE	
DRAWN	SS	6/27/07	
CHECKED			
APPROVED			
TITLE MICRO USB, TYPE B, SINGLE PORT RIGHT ANGLE, SMT, TAPE AND REEL			
SIZE X	PART NO. MCR-B-S-RA-TSMT-T/R	REV. D	
REF: S00027T	SCALE: NTS	SHEET 1 OF 1	