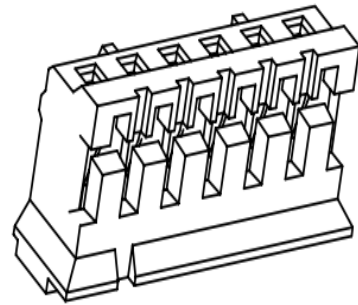
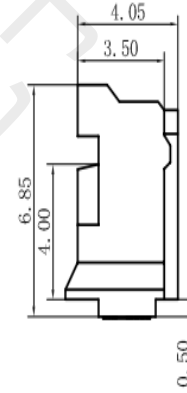
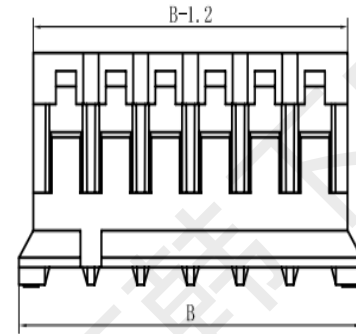
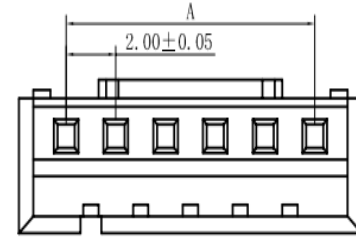


1. 极数 poles: 2 to 20P
2. 额定电流 Current rating: 2.0A AC, DC
3. 额定电压 Voltage rating: 250V AC, DC
4. 温度范围 Temperature range: -25. C to +85. C
5. 接触电阻 Contact resistance: $\leq 20m\Omega$
6. 绝缘电阻 Insulation resistance: $\geq 1000m\Omega$
7. 耐电压 Withstand voltage: 800V AC/minute
8. 适用线规 Applicable Wire: AWG #32 to #24
9. 适用基板厚度 Applicable PC board thickness: 1.6mm

● 材料 Material: Nylon66 UL 94V-0

| Poles | Part No | Dimensions mm | |
|-------|---------|---------------|-------|
| | | A | B |
| 2 | PH-2Y | 2.00 | 5.80 |
| 3 | PH-3Y | 4.00 | 7.80 |
| 4 | PH-4Y | 6.00 | 9.80 |
| 5 | PH-5Y | 8.00 | 11.80 |
| 6 | PH-6Y | 10.00 | 13.80 |
| 7 | PH-7Y | 12.00 | 15.80 |
| 8 | PH-8Y | 14.00 | 17.80 |
| 9 | PH-9Y | 16.00 | 19.80 |
| 10 | PH-10Y | 18.00 | 21.80 |
| 11 | PH-11Y | 20.00 | 23.80 |
| 12 | PH-12Y | 22.00 | 25.80 |
| 13 | PH-13Y | 24.00 | 27.80 |
| 14 | PH-14Y | 26.00 | 29.80 |
| 15 | PH-15Y | 28.00 | 31.80 |
| 16 | PH-16Y | 30.00 | 33.80 |
| -- | -- | -- | -- |



| | | | | | | | | | | |
|-------------------|------------|----------------|-----|-------------|-------------------|-------------|--|-------------|-----|--|
| GENERAL TOLERANCE | | 制图 DRAWING | 黄彬 | | 料号 PART NO. | HX PH2.0-4Y | | 版本 REV. | A | |
| X±0.25 | X*±2' | 审核 CHECK | 张伟 | | 品名 TITLE | 压线端子胶壳 | | 页次 SHEET | 1/1 | |
| .X±0.20 | .X*±1' | | 罗小春 | | 客户料号 CUTM. NO. | | | | | |
| .XX±0.15 | .XX*±0.5' | 核准 APPROVAL | | | | | | | | |
| .XXX±0.10 | .XXX*±0.5' | 单位 UNITS | MM | 比例 SCALE | | | | | | |