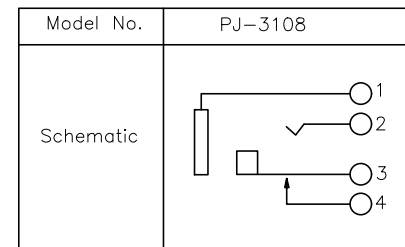
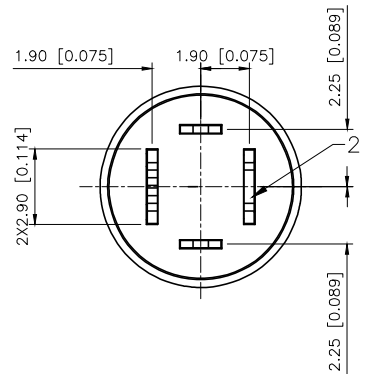
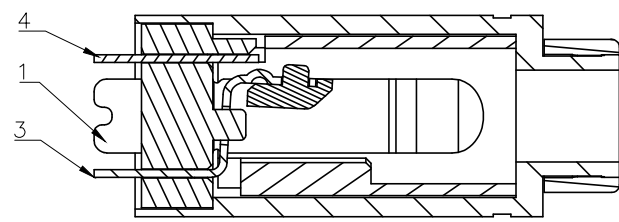
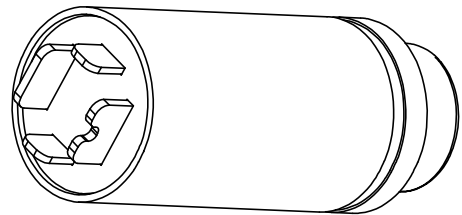
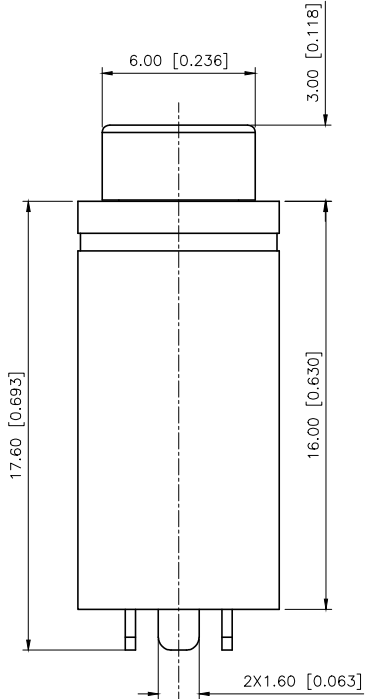
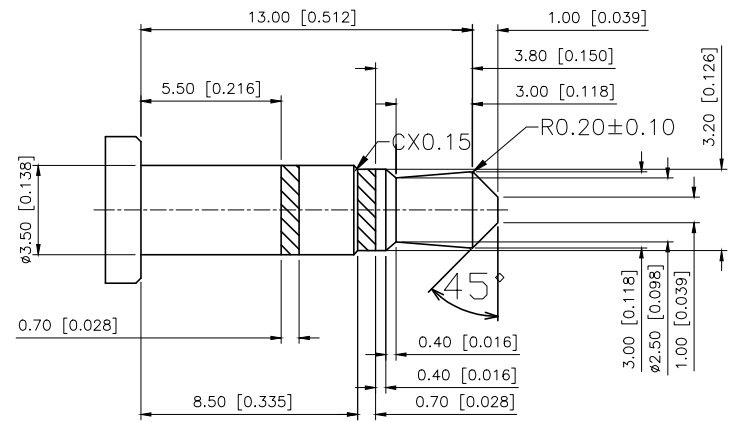
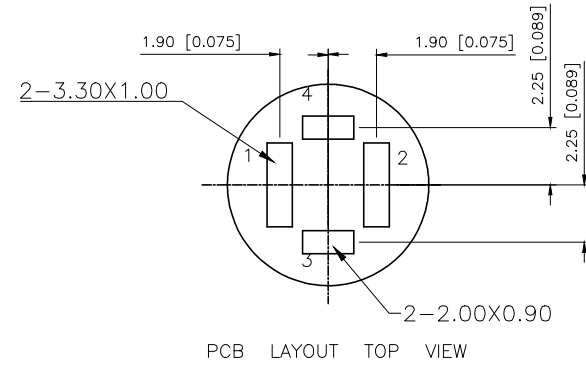
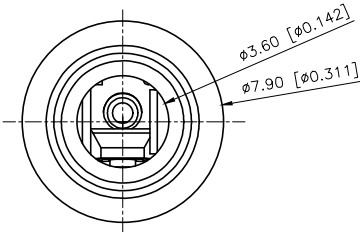


| REVISIONS |         |          |                 |            |        |
|-----------|---------|----------|-----------------|------------|--------|
| REV.      | ECN NO. | LOCATION | DESCRIPTION     | DATE       | DESIGN |
| A0        | N/A     |          | INITIAL RELEASE | /          | /      |
| A1        | N/A     |          | 图面升级整理图面        | 2025.06.27 | 阿树     |



| Plastic    | PBT             |         |
|------------|-----------------|---------|
| Terminal 4 | Phosphor Bronze | TIN     |
| Terminal 3 | Phosphor Bronze | TIN     |
| Terminal 2 | Phosphor Bronze | TIN     |
| Terminal 1 | Phosphor Bronze | TIN     |
| PAPT NAMF  | MATERIAL        | PLATING |

|                        |       |
|------------------------|-------|
| AuGLAR                 | ±5°   |
| X.                     | ±0.40 |
| X.x                    | ±0.30 |
| X.xx                   | ±0.20 |
| X.xxx                  | ±0.15 |
| UNSPECIFIED TOLERANCES |       |



|          |    |       |       |             |                |
|----------|----|-------|-------|-------------|----------------|
| DESIGN   | 阿树 | VIEW: |       | MODEL TYPE: | 3.5 PHONE JACK |
| CHECKED  |    | UNIT: | mm/in | PART NO.:   | PJ-3108        |
| APPROVED |    | SIZE: | A4    | DWG NO.:    |                |

XKB INDUSTRIAL PRECISION CO., LIMITED

|       |      |          |
|-------|------|----------|
| SCALE | PAGE | REVISION |
| N/A   | 1/1  | A1       |