

PLEASE CHECK WWW.MOLEX.COM FOR LATEST PART INFORMATION

Part Number: [0431805002](#)
Status: **Active**
Overview: Flat Blade
Description: 7.50mm Pitch, Flat Blade Plug Housing, Free Hanging, Single Row, 2 Circuits, Nylon PA6, UL94V-0, Black, Glow-Wire Capable

Documents:

[3D Model](#) [Packaging Specification PK-43180-001-001 \(PDF\)](#)
[Drawing \(PDF\)](#) [RoHS Certificate of Compliance \(PDF\)](#)
[Product Specification TS-5556-002-001 \(PDF\)](#)

Agency Certification

UL E29179

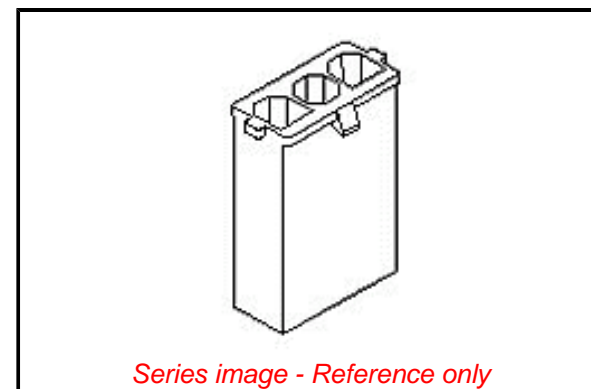
General

Product Family Crimp Housings
 Series [43180](#)
 Application Power, Wire-to-Wire
 Comments This Molex product is manufactured from material that has the following ratings, tested by independent agencies :. a) A Glow Wire Ignition Temperature (GWIT) of at least 775 deg C per IEC 60695-2-13.. b) A Glow Wire Flammability Index (GWFI) above 850 deg C per IEC 60695-2-12.and hence complies with the requirements set out in the International Standard IEC 60335-1 5th edition - household and similar electrical appliances - safety; section 30 Resistance to heat and fire.<P><P>The customers using this product must determine its suitability for use in their particular application through testing or other acceptable means as described in end-product glow-wire flammability test standard IEC 60695-2-11 and any applicable product end-use standard(s).<P>If it is determined during the customer's evaluation of suitability, that higher performance is required, please contact Molex for possible product options.

Overview [Flat Blade](#)
 Product Name Flat Blade
 UPC 800756824802

Physical

Breakaway No
 Circuits (maximum) 2
 Color - Resin Black
 Flammability 94V-0
 Gender Plug
 Glow-Wire Capable Yes
 Keying to Mating Part None
 Lock to Mating Part Yes
 Material - Resin Nylon
 Net Weight 3.401/g
 Number of Rows 1
 Packaging Type Bag
 Panel Mount No
 Pitch - Mating Interface 7.49mm
 Pitch - Termination Interface 7.49mm
 Polarized to Mating Part Yes



EU ELV

Not Relevant

EU RoHS

Compliant

REACH SVHC

Not Contained Per - ED/61/2018 (27 June 2018)

Halogen-Free

Status

Low-Halogen

For more information, please visit [Contact US](#)

China ROHS

ELV

RoHS Phthalates

China RoHS

Green Image

Not Relevant

Not Contained

Search Parts in this Series

[43180](#) Series

Mates With

[43335](#) Flat Blade Appliance Receptacle Housing, [43179](#) Sabre(TM) Receptacle Housing

Use With

[43335](#) Flat Blade Appliance Receptacle Housing. [43179](#) Sabre Receptacle Housing

Ports	1
Stackable	No
Temperature Range - Operating	-40° to +75°C

Solder Process Data

Lead-freeProcess Capability	N/A
-----------------------------	-----

Material Info**Reference - Drawing Numbers**

Packaging Specification	PK-43180-001-001
Product Specification	TS-5556-002-001
Sales Drawing	SD-43180-*002

This document was generated on 09/20/2018

PLEASE CHECK WWW.MOLEX.COM FOR LATEST PART INFORMATION