



AS-Interface adapter element, black, with/without external auxiliary voltage, can be selected, A/B technology, for 3 signaling elements, 24 V DC, Diameter 70 mm

product brand name	SIRIUS
product designation	AS-Interface module
<b>General technical data</b>	
type of voltage of the operating voltage	DC
operating voltage	
• at DC rated value	18.5 ... 31.6 V
• 1 at DC rated value	24 V
consumed current maximum	210 mA
reference code according to EN 61346-2	B
<b>Communication</b>	
design of the interface AS-Interface protocol	Yes
<b>Enclosure</b>	
height	65.5 mm
width	70 mm
outer diameter of the signal column element	70 mm
material	PC
color	black
fastening method	Bayonet
protection class IP	IP65
<b>Ambient conditions</b>	
ambient temperature during operation	-20 ... +50 °C
<b>Approvals Certificates</b>	
General Product Approval	EMV



[Confirmation](#)



other	Environment
-------	-------------

[Confirmation](#)

[Environmental Confirmations](#)

**Further information**

Information on the packaging  
<https://support.industry.siemens.com/cs/ww/en/view/109813875>  
 Information- and Downloadcenter (Catalogs, Brochures,...)

<https://www.siemens.com/ic10>

Industry Mall (Online ordering system)

<https://mall.industry.siemens.com/mall/en/en/Catalog/product?mlfb=8WD4428-0BD>

Cax online generator

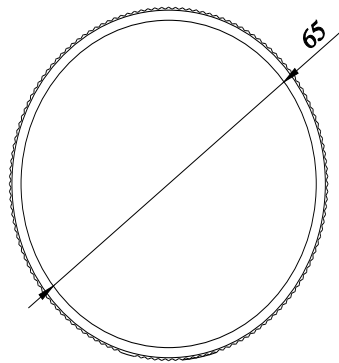
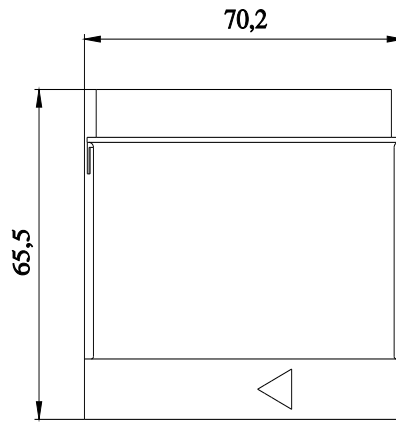
<http://support.automation.siemens.com/WW/CAXorder/default.aspx?lang=en&mlfb=8WD4428-0BD>

Service&Support (Manuals, Certificates, Characteristics, FAQs,...)

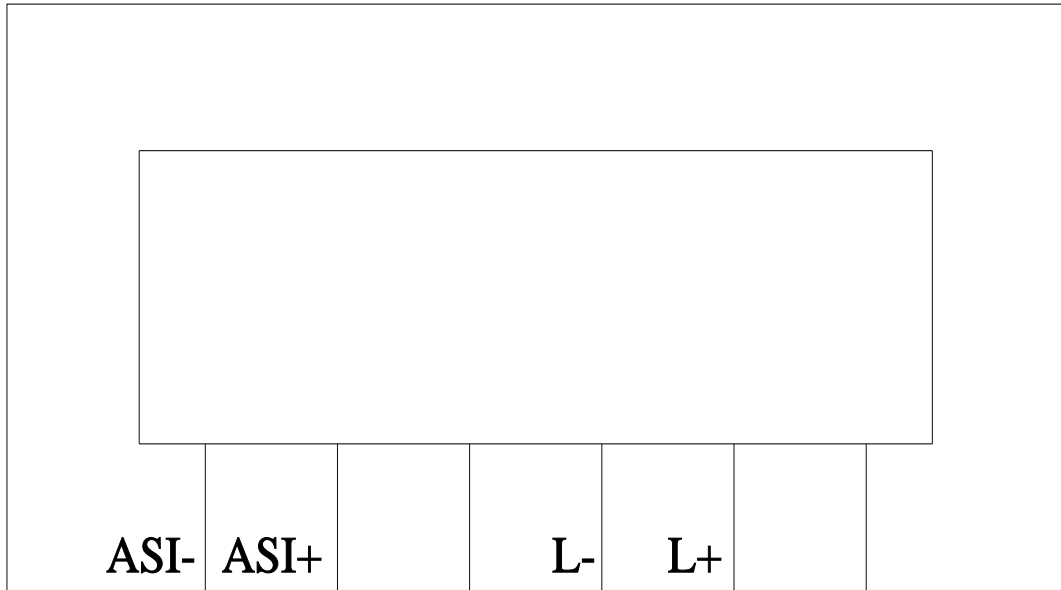
<https://support.industry.siemens.com/cs/ww/en/ps/8WD4428-0BD>

Image database (product images, 2D dimension drawings, 3D models, device circuit diagrams, EPLAN macros, ...)

[http://www.automation.siemens.com/bilddb/cax\\_de.aspx?mlfb=8WD4428-0BD&lang=en](http://www.automation.siemens.com/bilddb/cax_de.aspx?mlfb=8WD4428-0BD&lang=en)



**-B**



---

last modified:

3/12/2024 