

EH 22,5 F-FP/ABS GY7035 - Filler plug



2201844

<https://www.phoenixcontact.com/us/products/2201844>

Please be informed that the data shown in this PDF document is generated from our online catalog. Please find the complete data in the user documentation. Our general terms of use for downloads are valid.



DIN rail housing, Filler plug for unoccupied terminal points (flat design), with vents, width: 21.35 mm, height: 33.39 mm, depth: 13.67 mm, color: light gray (similar RAL 7035)

Your advantages

- DIN rail or wall mounting for application-specific device attachment
- Easy design-in, thanks to variable housing form factor
- Complete flexibility, thanks to PCBs with horizontal, frontal, and orthogonal orientation to the front of the device
- Three cover versions for individual PCB connections
- Integration of a wide variety of PCB connection technologies for a functional device design

Commercial data

Item number	2201844
Packing unit	50 pc
Minimum order quantity	50 pc
Sales key	AC12
Product key	ACHCHZ
GTIN	4046356914628
Weight per piece (including packing)	2.48 g
Weight per piece (excluding packing)	2.48 g
Customs tariff number	39269097
Country of origin	IN

EH 22,5 F-FP/ABS GY7035 - Filler plug

2201844

<https://www.phoenixcontact.com/us/products/2201844>

Technical data

Notes

Assembly note	Refer to the data sheet for the range in the download area.
---------------	---

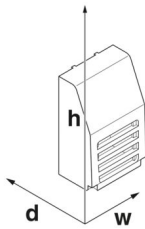
Product properties

Product type	Filler plug
Housing type	DIN rail housing
Housing series	EH
Product family	EH..F..ABS..
Type	Filler plug for unoccupied terminal points (flat design)
Ventilation openings present	yes

Data management status

Article revision	00
------------------	----

Dimensions

Dimensional drawing	
Width	21.35 mm
Height	33.39 mm
Depth	13.67 mm

Material specifications

Color (Housing)	light gray (RAL 7035)
Flammability rating according to UL 94	HB
Housing material	ABS
Surface characteristics	untreated

Environmental and real-life conditions

Ambient conditions

Max. IP code to attain	IP20
Ambient temperature (operation)	-40 °C ... 80 °C (depending on power dissipation)
Ambient temperature (storage/transport)	-40 °C ... 70 °C
Ambient temperature (assembly)	-5 °C ... 80 °C
Relative humidity (storage/transport)	95 %

Mounting

EH 22,5 F-FP/ABS GY7035 - Filler plug



2201844

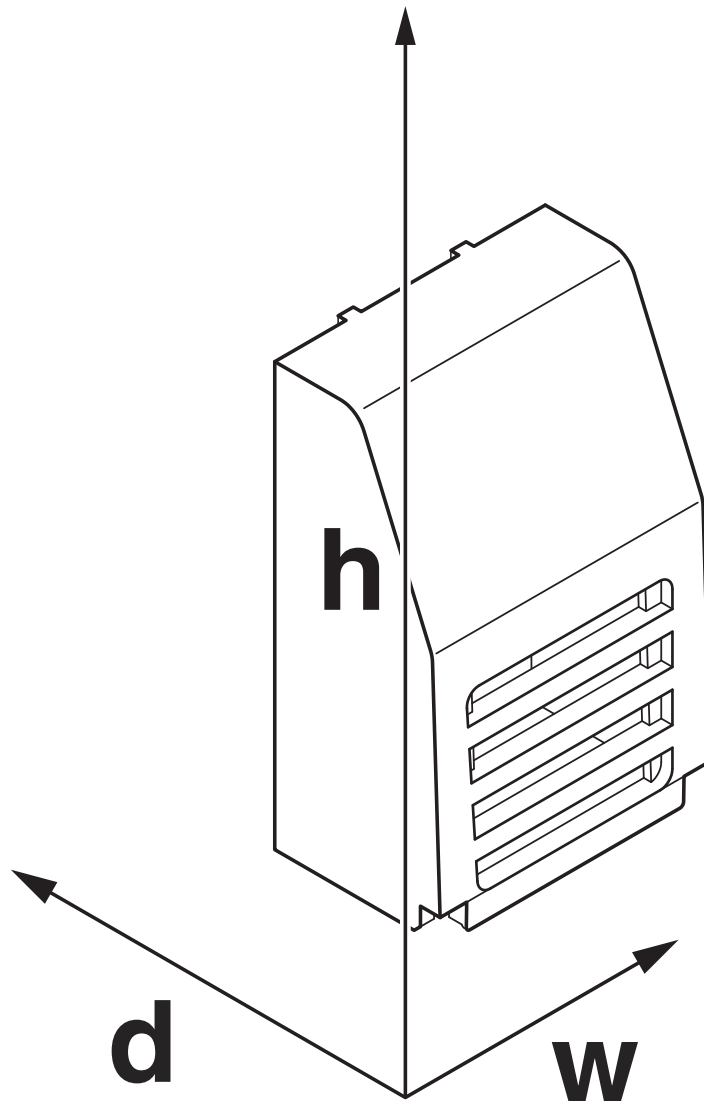
<https://www.phoenixcontact.com/us/products/2201844>

Mounting type

Latching with upper housing part

Drawings

Dimensional drawing



Schematic figure for illustrating the item dimensions. The figure is not of the desired product. For further details, refer to the product drawings in the "Downloads" tab.

EH 22,5 F-FP/ABS GY7035 - Filler plug



2201844

<https://www.phoenixcontact.com/us/products/2201844>

Approvals

To download certificates, visit the product detail page: <https://www.phoenixcontact.com/us/products/2201844>



UL Recognized

Approval ID: E240868

EH 22,5 F-FP/ABS GY7035 - Filler plug



2201844

<https://www.phoenixcontact.com/us/products/2201844>

Classifications

ECLASS

ECLASS-11.0	27182702
ECLASS-13.0	27190605

ETIM

ETIM 9.0	EC002779
----------	----------

UNSPSC

UNSPSC 21.0	31261500
-------------	----------

EH 22,5 F-FP/ABS GY7035 - Filler plug



2201844

<https://www.phoenixcontact.com/us/products/2201844>

Environmental product compliance

EU RoHS

Fulfills EU RoHS substance requirements	Yes, No exemptions
---	--------------------

China RoHS

Environment friendly use period (EFUP)	EFUP-E
	No hazardous substances above the limits

EU REACH SVHC

REACH candidate substance (CAS No.)	No substance above 0.1 wt%
-------------------------------------	----------------------------

Phoenix Contact 2024 © - all rights reserved
<https://www.phoenixcontact.com>

Phoenix Contact USA
586 Fulling Mill Road
Middletown, PA 17057, United States
(+717) 944-1300
info@phoenixcon.com