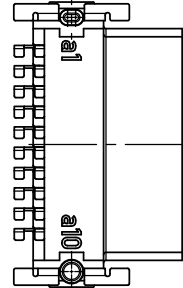
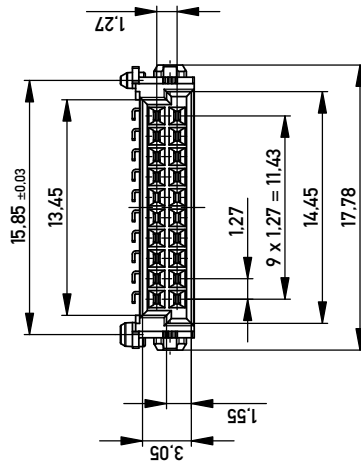
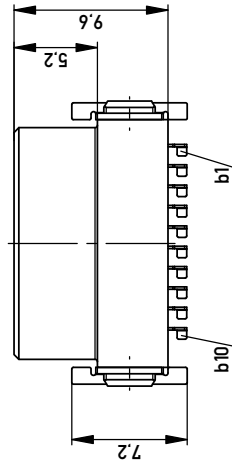
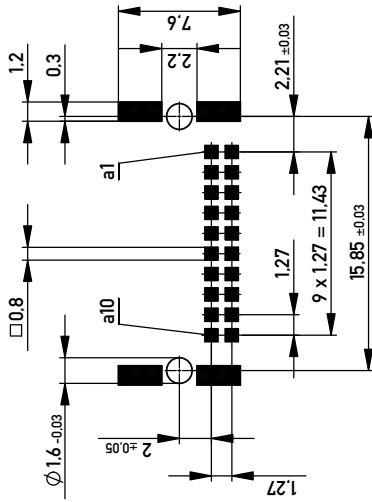
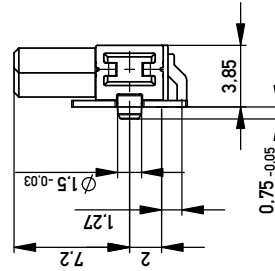
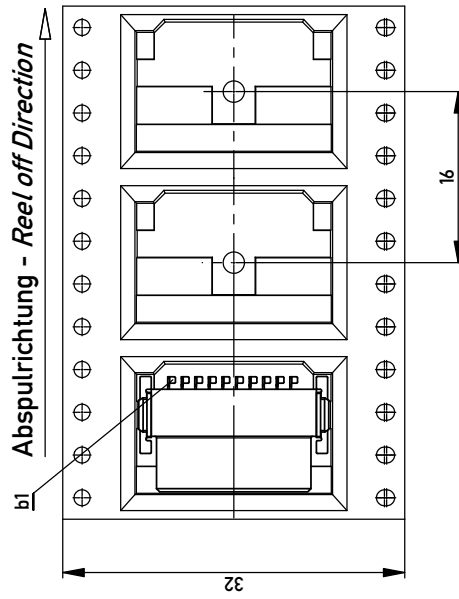
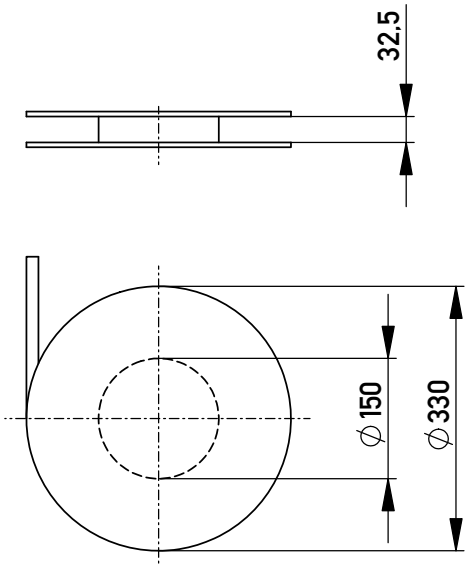


Leiterplatten-Layout Vorschlag für SMT  
PCB-Layout Proposal for SMT



Verpackt in Gurtverpackung - Tape on Reel Packaging  
Verpackungseinheit: 560 Stück - Packaging unit: 560 pcs



Anforderungsstufe 1  
Performance Level 1

Kontaktbereich vergoldet  
Mating Area gold plating

Anschlussbereich verzinkt 4-6 µm  
Terminal Area 4-6 µm tin plating

Koplanarität der Anschlüsse ≤ 0,1 mm  
Coplanarity Area of Termination ≤ 0,1 mm

Information:		Tolerances		Scale		Designation	
All rights reserved. Only for information. To ensure that this is the latest version of this drawing, please contact one of the ERNI companies before using.		All Dimensions in mm		3:1		BA7-03 - Standard Bauhöhe type7-03 - standard assembly height	
Subject to modification without prior notice. Drawing will not be updated.		Subject to modification without prior notice. Drawing will not be updated.		www.ERNI.com		Federal. SMC-Q 20-SMD-BA7-03 Female SMC-Q 20-SMD-type7-03	
a Index		b1		Date		Class	
05.04.2011		Date		354079		SMCO	
Copyright by ERNI GmbH Proprietary notice pursuant to ISO 16016 to be observed.		ERNI		A3		I	