



ALL RIGHTS RESERVED. NO PORTION OF THIS PUBLICATION, WHETHER IN WHOLE OR IN PART CAN BE REPRODUCED WITHOUT THE EXPRESS WRITTEN CONSENT OF SPC TECHNOLOGY.

SPC-F005.DWG

REVISIONS

DDC. NO. SPC-F005 \* Effective: 7/8/02 \* DCP No: 1398

DCP #	REV	DESCRIPTION	DRAWN	DATE	CHECKD	DATE	APPRVD	DATE
2075	A	RELEASED	JN	11/20/09	JN	11/20/09	JN	11/20/09



**SPECIFICATIONS**

Rated Voltage: AC 300V

Rated current: 6A

Wire Size: 26~16 AWG

Housing Material: Polyamide66 (UL94V-0)

Terminal: Brass, Tin Plated

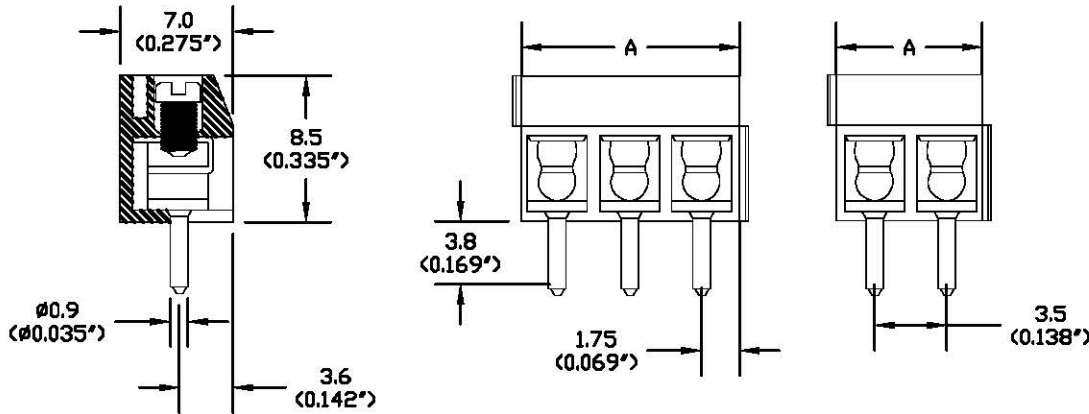
Wire Protector: Phosphor bronze, Tin Plated

Screw Size: M2.0, Steel, Zinc Plated

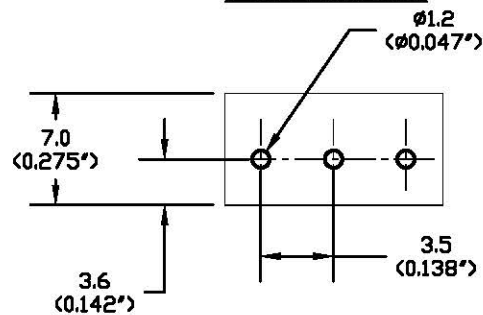
Operating Temperature: -40°C to +105°C

Torque: 2.5 lb-inch

PCB Hole Diameter: Ø1.2mm



**PCB Layout**



Pitch: 3.50mm (0.138inch)			
Mfg. P/N	No. of Pins	(A) mm	(A) inches
MA212-350M02	2	7	0.276
MA212-350M03	3	10.5	0.413
MA212-350M04	4	14	0.552
MA212-350M05	5	17.5	0.689
MA212-350M06	6	21	0.826
MA212-350M07	7	24.5	0.965
MA212-350M08	8	28	1.102
MA212-350M09	9	31.5	1.239
MA212-350M10	10	35	1.378
MA212-350M14	14	49	1.928
MA212-350M15	15	52.5	2.065
MA212-350M16	16	56	2.204

DISCLAIMER: ALL STATEMENTS AND TECHNICAL INFORMATION CONTAINED HEREIN ARE BASED UPON INFORMATION AND/OR TESTS WE BELIEVE TO BE ACCURATE AND RELIABLE. SINCE CONDITIONS OF USE ARE BEYOND OUR CONTROL, THE USER SHALL DETERMINE THE SUITABILITY OF THE PRODUCT FOR THE INTENDED USE AND ASSUME ALL RISK AND LIABILITY WHATSOEVER IN CONNECTION THEREWITH.

TOLERANCES: UNLESS OTHERWISE SPECIFIED, DIMENSIONS ARE FOR REFERENCE PURPOSES ONLY.

DRAWN BY:	DATE:
Jason Nash	11/20/09
CHECKED BY:	DATE:
Jason Nash	11/20/09
APPROVED BY:	DATE:
Jason Nash	11/20/09

DRAWING TITLE:			
Terminal Block			
SIZE:	DWG. NO.	ELECTRONIC FILE	REV
A	Ta-1207	Ta-1207.dwg	A
SCALE:	U.O.M.:	SHEET:	
NTS	INCHES [mm]	1 OF 1	