



SCHROFF

Project - 0 item(s)

MY PROJECT LIST

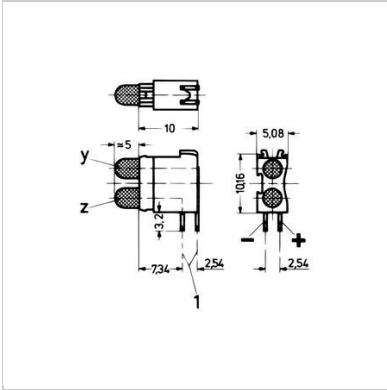
- PRODUCTS
- APPLICATIONS
- INDUSTRIES
- NEW PRODUCTS
- CONFIGURATORS
- Products ▾
- Search
-

Home > Double LED, short type, Ø 3.2 mm



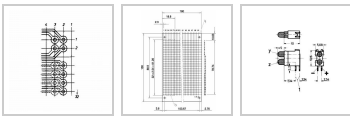
Double LED, short type, Ø 3.2 mm

SCHROFF



1 = mounting plane

Other Views



Catalog Number: 69004-287

[Back To Product](#)

- Short type for mounting plane 1

Note:

- Required front panel drill hole: Ø 4 mm
- Dimensions of connecting pins: 0.5 × 0.5 mm

Type:

LED

LED:

- Dual LED, short
- Low current LED

Note:

The low current LEDs can be used from 2 to 20 mA (without reduction of lifespan), which means that a significantly higher luminosity can be achieved.



Select product specifications before modifying or adding to project list or requesting a quote.

Current-defining

Low Current ▾

Color-defining

Green/Green (Y/Z) ▾

[Clear Selection](#)

Quantity

Add Item to Project List +

Documents



Main Catalog - Front panel component systems

Technical Data

Qty	1 piece (SPQ 10)	Operating temperatures [°C]	-55 ... +100 °C	-55 ... +100 °C
Delivery is exclusively made in Standard Pack Quantity (SPQ)	10	Absolute maximum data, Ta = 25 °C	low current LED	low current LED
Color	green/green (Y/Z)	Reverse voltage [V]	3	3
Configuration	Mounting plane 1	On-state current [mA]	30	30
		Power dissipation [mW]	75	75
		Forward current [mA] (t < 10 µs)	75	75
		Forward Voltage [V] type (10 mA/2 mA)	2.2	2.2
		Forward voltage [V] max. (10 mA/2mA)	3	3

Luminous intensity [mcd] at 2 mA	2	2
Luminous intensity [mcd] at 10 mA	24.6	24.6
Luminous intensity [mcd] at 20 mA	54.9	54.9
Wavelength [nm] (10 mA/2 mA)	563	563
Thermal resistance [°C/W]	470	470
Angle of reflected beam	± 50°	± 50°
Storage temperature [°C]	-55 ... +100 °C	-55 ... +100 °C
Solder temperature [°C]	260 °C/max. 5 sec (processing advice for wave soldering: protect plastic body against solder wave)	260 °C/max. 5 sec (processing advice for wave soldering: protect plastic body against solder wave)
Insulating body	PBT (Crastin)	PBT (Crastin)
Flammability of insulation body	UL 94 V-0	UL 94 V-0
Color	green	green

EXPLORE

[About Us](#)
[Services & Capabilities](#)
[News & Events](#)
[Newsletter Subscriptions](#)
[Strategic Partnerships](#)
[Investor Relations](#)

CONTACT

[Customer Service](#)
[Find a Sales Office or Distributor](#)
[Global Locations](#)
[Product Compliance & Certifications](#)
[Partner Login](#)

DOWNLOAD

[Download Center](#)
[Reference Projects](#)
[Videos](#)
[Product Configurators](#)
[Warranties and Terms of Sale & Procurement](#)

© 2018 nVent. All rights reserved | [Privacy Policy](#) | [Terms of Use](#) | [Cookie Policy](#) | [Imprint](#) | [Site Map](#)

Connect With Us

