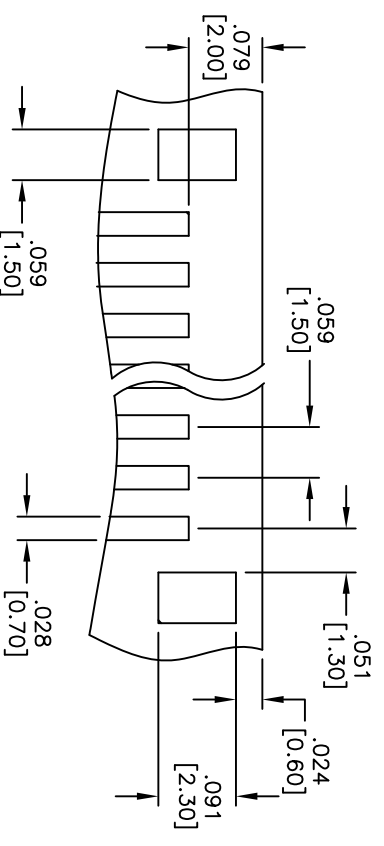
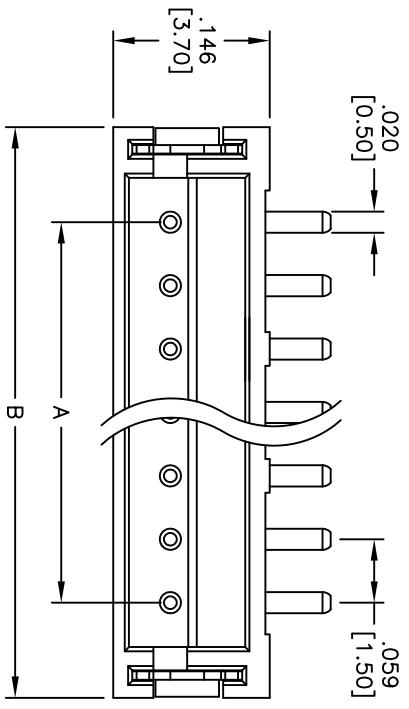
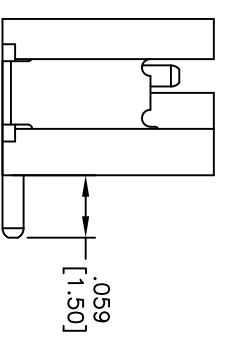
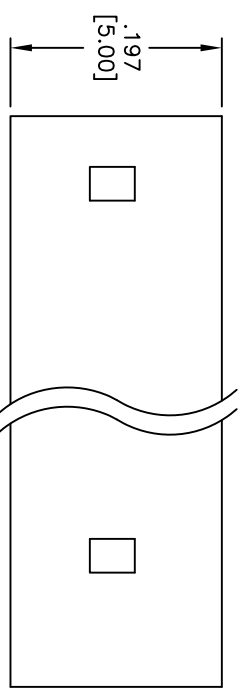


Rev	AWO #	Description	Date	Appr
-		RELEASED	3/15/12	

APPROVED: \_\_\_\_\_  
 DATE: \_\_\_\_\_ TITLE: \_\_\_\_\_



RECOMMENDED PCB LAYOUT



**SPECIFICATIONS:**

**Material:**  
 Insulator: Hi-temp thermoplastic, rated UL 94V-0  
 Insulator color: Natural (Ivory)  
**Contacts:** Brass  
**Plating:**  
 Tin over Nickel underplate overall  
**Electrical:**  
 Voltage rating: 50 AC/DC  
 Current rating: 0.7 AC/DC  
 Contact resistance: 20 mohms max  
 Dielectric withstanding voltage: 500 VAC for 1 minute  
**Temperature Rating:**  
 Operating temperature: -25°C to +85°C  
 Environmental:  
 Lead free, RoHS compliant.

**PACKAGED ON TAPE & REEL**

Positions: 02 thru 13  
 A=.060 [1.50] X No. of Spaces  
 B=.060 [1.50] X No. of Positions + .118 [3.00]

**ADAM TECH**

909 Railway Avenue, Union, NJ 07083  
 Phone: 908-687-5000 Fax: 908-687-5710

TITLE  
 .059 [1.50] TOP ENTRY TYPE, SMT TYPE

UNLESS OTHERWISE SPECIFIED ALL DIMENSIONS ARE INCHES [MM]		TOLERANCES EXCEPT AS NOTED	
INCHES		HOLES	
.X	± .10	ØX	± .10
.XX	± .020	ØXXX	± .015
.XXX	± .015	ØXXX	± .010
APPROVALS		DATE	
DRAWN	AY	3/15/12	
CHECKED	OC	3/15/12	
APPROVED			
SIZE	PART NO.	SCALE	SHEET 1 OF 1
X	1SSH-A-XX-TS-SMT-T/R	NTS	
REV.			