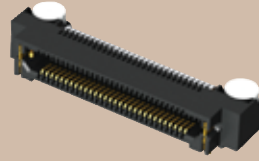




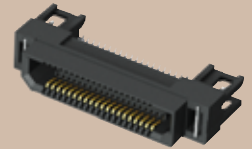
(0,80 mm) .0315"

ERF8-RA, ERF8-EM SERIES

ERF8-030-01-L-D-RA-L-TR



ERF8-020-01-L-D-EM2-TR



RUGGED EDGE RATE™ STRIPS



- Edge Rate™ contacts
- Latching option
- Extended guide post option
- PCB mounting pins

ERF8-RA / ERF8-EM

Board Mates:
ERM8

ERF8-RA / ERF8-EM

Cable Mates:
ERCD, ERDP

SPECIFICATIONS

For complete specifications and recommended PCB layouts see www.samtec.com?ERF8-RA or www.samtec.com?ERF8-EM

Insulator Material:

Black LCP

Contact Material:

BeCu

Plating:

Au or Sn over

50µ" (1,27 µm) Ni

Current Rating:

1.4A per contact @ 95°C

(6 adjacent pins powered)

Operating Temp Range:

-55°C to +125°C

Voltage Rating (ERF8-RA):

235 VAC max

Voltage Rating (ERF8-EM):

200 VAC max

RoHS Compliant:

Yes

Processing:

Lead-Free Solderable:

Yes

SMT Lead Coplanarity

(ERF8-RA):

(0,10 mm) .004" max

SMT Lead Coplanarity

(ERF8-EM):

(0,10 mm) .004" max (005-030)

(0,12 mm) .005" max (040-075)



-010, -013, -020, -025, -030, -040, -049, -050, -060, -070, -075

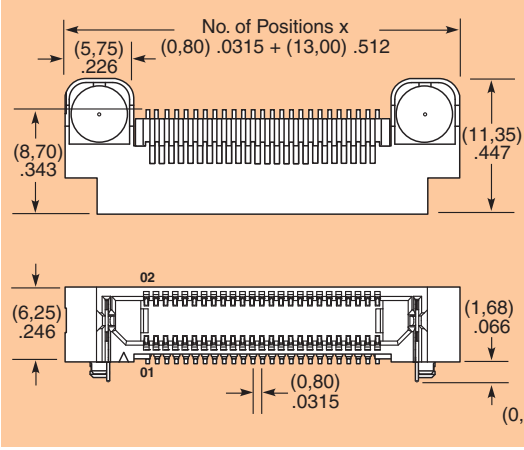
-L
= 10µ" (0,25 µm) Gold on contact, Matte Tin on tail

-L
= Latching (N/A with -EGP option)

-TR
= Tape & Reel

ERF8-RA/ERM8-RA	Rated @ 3dB Insertion Loss*
Single-Ended Signaling	8.0 GHz / 16.0 Gbps
Differential Pair Signaling	9.0 GHz / 18.0 Gbps

*Performance data includes effects of a non-optimized PCB.
Complete test data available at www.samtec.com?ERF8-RA or contact sig@samtec.com



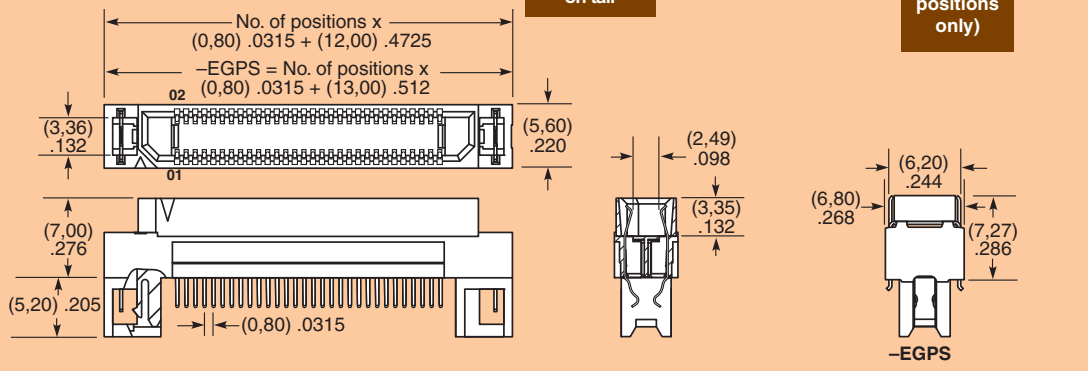
-005, -010, -013, -020, -025, -030, -040, -049, -050, -060, -070, -075

-L
= 10µ" (0,25 µm) Gold on contact, Matte Tin on tail

-EM2
= (1,60 mm) .062" Thick PCB

-EGPS
= Extended Guide Post Shield (-010, -020, -025, -030 positions only)

-TR
= Tape & Reel



APPLICATION SPECIFIC

- Other positions available.
 - Edge Mount option for (1,00 mm) .03937" thick PCB (ERF8-EM only)
 - Solder leads & weld tab for (2,36 mm) .093" thick PCB (ERF8-RA only)
- Call Samtec.

Note: Other Gold plating options available. Contact Samtec.
Note: Some lengths, styles and options are non-standard, non-returnable.

Due to technical progress, all designs, specifications and components are subject to change without notice.

WWW.SAMTEC.COM

SAMTEC USA • Tel: 1-800-SAMTEC-9 or 812-944-6733 SAMTEC NORTHERN CALIFORNIA • Tel: 408-395-5900 SAMTEC SOUTHERN CALIFORNIA • Tel: 1-800-726-8329
SAMTEC AMERICA LATINA COMERCIO EXTERIOR LTDA • Tel: (+55 31) 3786 3227 SAMTEC UNITED KINGDOM • Tel: 44 01236 739292 SAMTEC GERMANY • Tel: +49 (0) 89 / 89460-0
SAMTEC FRANCE • Tel: 33 01 60 95 06 60 SAMTEC ITALY • Tel: 39 039 6890337 SAMTEC NORDIC/BALTIC • Tel: +46-84477280 SAMTEC BENELUX • Tel: 44 01236 739292
SAMTEC ISRAEL • Tel: 972-3-7526600 SAMTEC INDIA • Tel: +91-80-3272 1612 SAMTEC ASIA PACIFIC • Tel: 65 6745-5955 SAMTEC JAPAN • Tel: 045-475-1385 SAMTEC CHINA • Tel: 86-21-6083 3766

2735-6109 SAMTEC HONG KONG • Tel: 852-26904858 SAMTEC KOREA • Tel: 82-31-717-5685 SAMTEC ANZ • Tel: 613 9580 0683