

connector - with screwless terminals, for harsh applications

Product description

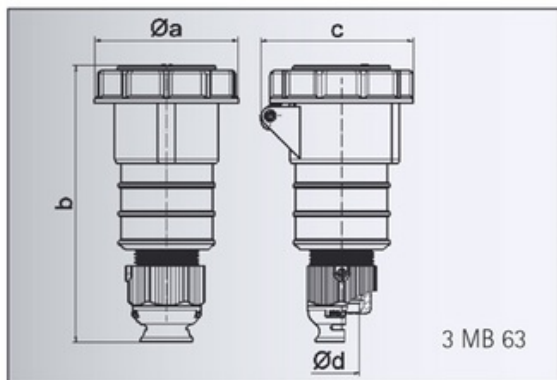
| | |
|------------------------|---|
| Order number | 31298 |
| EAN/pcs | 4024941312981 |
| Product Group | Quick-Connect TE-Plus Connector Multi-Grip cable gland |
| Amperage | 16A |
| Poles | 3p (2P+PE) |
| Earth 'Clock' Position | 4 h |
| Voltage | 100 up to 130V |
| Frequency | 50 and 60Hz |
| Protection | IP67 |
| Color code | yellow RAL 1012 |
| Connection Design | screwless spring terminals as cage clamp with Kontext-contact |
| Max. conductor | 2,5 mm ² |



Further Information

| | |
|----------------------------------|---|
| Additional technical information | Multi-Grip cable gland with gasket, integrated cable clamp and additional water evacuation openings For cable diameter from 8 up to max. 18 mm |
|----------------------------------|---|

| Material | |
|---------------------------|---|
| Material of Enclosure | Polyamide |
| Contact / Contact Carrier | contact carrier made of high temperature resistant material, contacts are brass nickel plated |
| Weight/pcs | 0.175 kg |
| Packaging unit | 10 pcs |



| | | | | | | |
|----------------|-------|-------|-------|-------|-------|-------|
| Ampere | 16 | 16 | 16 | 32 | 32 | 32 |
| Polzahl | 3 | 4 | 5 | 3 | 4 | 5 |
| a ø | 70,5 | 78,0 | 86,5 | 94,0 | 94,0 | 101,5 |
| b | 161,0 | 161,0 | 168,0 | 196,0 | 196,0 | 200,0 |
| c | 77,0 | 83,0 | 93,0 | 99,0 | 99,0 | 107,0 |
| d ø | 18,0 | 18,0 | 21,0 | 23,0 | 23,0 | 27,0 |
| Leiter mm² min | 1 | 1 | 1 | 2,5 | 2,5 | 2,5 |
| Leiter mm² max | 2,5 | 2,5 | 2,5 | 6 | 6 | 6 |
| | | | | | | |
| | | | | | | |
| | | | | | | |
| | | | | | | |