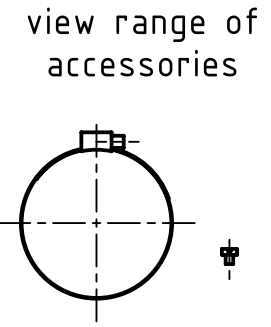
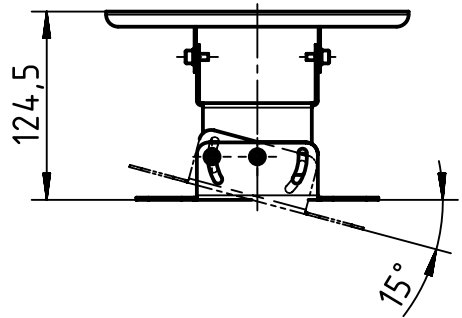
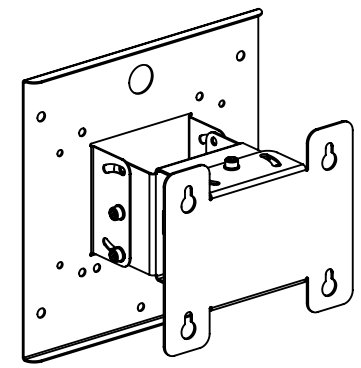


mast clamp



1x mounting clamp
4x slotted head cap screw M6x10



wall clamp

	All rights reserved Department EL PD - DE HARTING Electric GmbH & Co. KG D-32339 Espelkamp	All Dimensions in mm Original Size DIN A4		Scale 1:5	Free size tol.	Ref. Sub. TB 20 93 102 0103 v. 17.10.11	
		Created by STICKFORTH	Inspected by WULF	Standardisation RUETERA	Date 2017-05-18	State Final Release	
Title RF-MOUNT-ANT-A (for WR30)						Doc-Key / ECM-Nr. 100217374/UGD/004/A 500000119386	
Type TB				Number 20 93 102 0103		Rev. A	Page 1/1

Mouser Electronics

Authorized Distributor

Click to View Pricing, Inventory, Delivery & Lifecycle Information:

[HARTING:](#)

[20931020103](#)