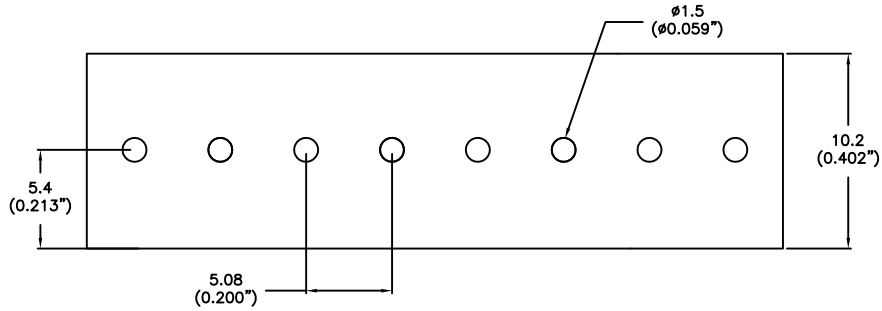


ALL RIGHTS RESERVED. NO PORTION OF THIS PUBLICATION, WHETHER IN WHOLE OR IN PART CAN BE REPRODUCED WITHOUT THE EXPRESS WRITTEN CONSENT OF SPC TECHNOLOGY.

REVISIONS			DOC. NO. SPC-F005 * Effective: 12/21/98 * DCP No: 680					
DCP #	REV	DESCRIPTION	DRAWN	DATE	CHECKD	DATE	APPRVD	DATE
1967	A	Released	JN	11/17/08	JWM	11/17/08	JWM	11/17/08

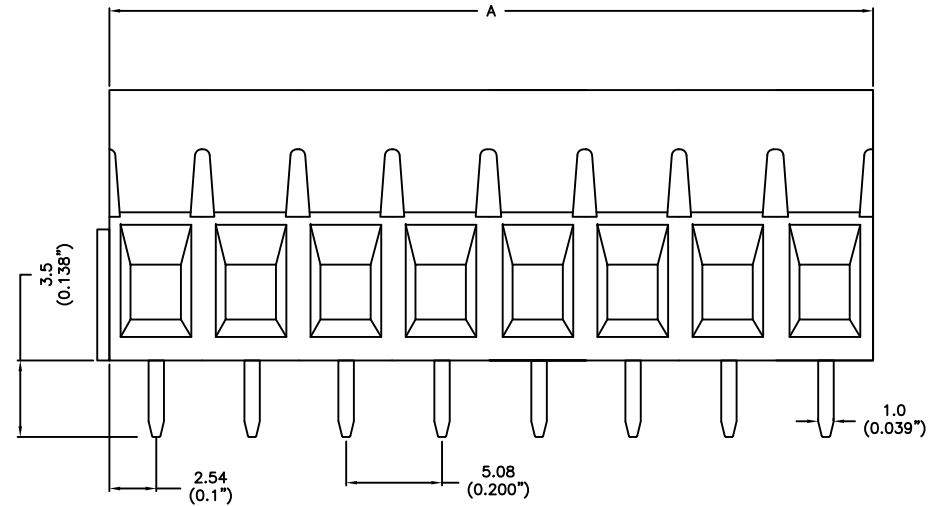
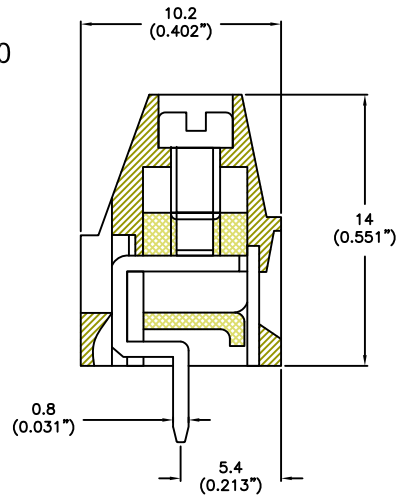
**PCB Layout**



**Notes:**

- Current Voltage: AC 300V
- Current Rating: 16Amp
- Wire Size: 26~12 AWG
- Housing Material: Polyamide 66 (UL94V-0)
- Cage Clamp: Steel, Ni Plated
- Terminal: Brass, Tin Plated
- Screw Size: M2.6, Steel, Ni Plated
- Operation Temperature: -40°C to +105°C
- Screw Torque: 7.0 lb-inch
- PCB Hole Diameter: Ø1.5mm

Mfg. P/N	A (mm)	A (inch)
MC24363	25.4	1
MC24364	30.5	1.2
MC24365	40.6	1.6



**DISCLAIMER:**  
ALL STATEMENTS AND TECHNICAL INFORMATION CONTAINED HEREIN ARE BASED UPON INFORMATION AND/OR TESTS WE BELIEVE TO BE ACCURATE AND RELIABLE. SINCE CONDITIONS OF USE ARE BEYOND OUR CONTROL, THE USER SHALL DETERMINE THE SUITABILITY OF THE PRODUCT FOR THE INTENDED USE AND ASSUME ALL RISK AND LIABILITY WHATSOEVER IN CONNECTION THEREWITH.

TOLERANCES:  UNLESS OTHERWISE SPECIFIED, DIMENSIONS ARE FOR REFERENCE PURPOSES ONLY.	DRAWN BY:	DATE:
	Jason Nash	11/17/08
	CHECKED BY:	DATE:
	JWM	11/17/08
APPROVED BY:	DATE:	
JWM	11/17/08	

**multicomp**

DRAWING TITLE: <b>Terminal Block</b>			
SIZE <b>A</b>	DWG. NO. <b>Ta-1161</b>	ELECTRONIC FILE <b>Ta-1161.dwg</b>	REV <b>A</b>
SCALE: NTS	U.O.M.: INCHES [mm]	SHEET: 1 OF 1	