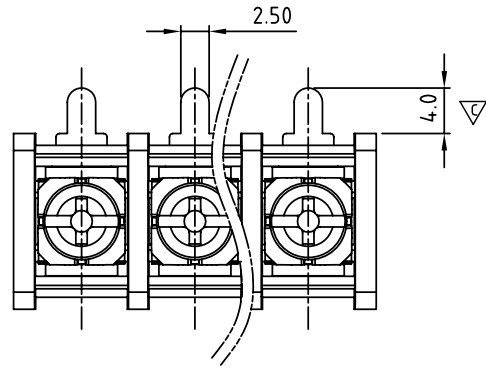


SIGN	DATE	DESCRIPTION	APPROVER
△	11/13'12	Change the screw plating specification	Guoxue
△	11/13'12	Change the dimensional tolerance	Guoxue
<i>THIS IS CAD DRAWING, DO NOT REVISE MANUALLY!!!</i>			

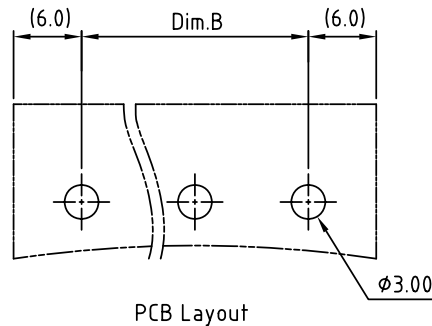
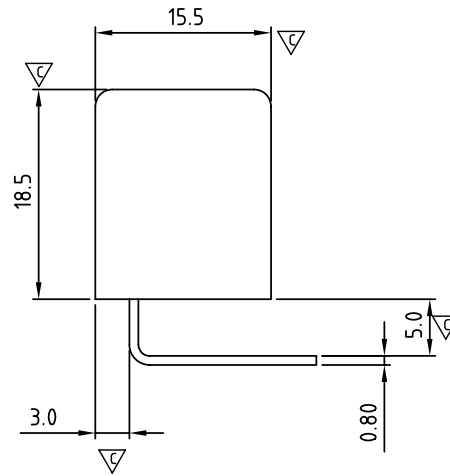
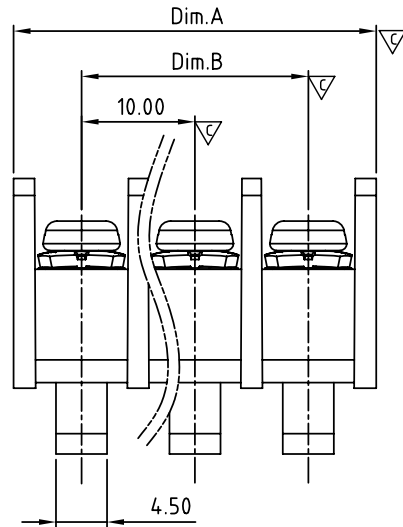


N= Number of Poles
Dimension Dim A, B

Dim A	$N \times 10.0 + 2.0$
Dim B	$(N-1) \times 10.0$

Poles	Dim.A	Dim.B
2p-5p	±0.20	±0.20
6p-10p	±0.25	±0.25
11p-16p	±0.35	±0.35
17p-24p	±0.40	±0.40
25p-30p	±0.50	±0.50

MATERIALS ELECTRICAL
 RATED VOLTAGE & CURRENT: 300 V, 25 A
 WITHSTAND VOLTAGE: AC 2000 V/Min
 INSULATION RESISTANCE: 1000 MΩ OR MORE AT DC 500 V
 OPERATING TEMPERATURE RANG: -40 °C ~ +115 °C
 SCREW TORQUE VALUE: 8.8 Lb-In.
 WIRE RANGE: 22 - 12 AWG
 1) MOLDED PARTS: POLYIMIDE 66, UL 94 V-0 BLACK
 2) TERMINAL: BRASS, 0.8t, Tin PLATED
 3) TERMINAL SCREWS: STEEL, M3.5
 APPROVAL:
 Critical dimension:



YK 611 xx 0 x x 00G

NO. OF POLES
 02: 2 POLES
 03: 3 POLES
 04: 4 POLES
 ...
 30: 30 POLES

G:RoHS compliant(lead<4%
in copper alloy)
 MARK
 0: "@" MARK
 1: "ANY" MARK
 TERMINAL & SCREW PLATED
 0: TERMINAL & SCREW: G/F
 △ 1: TERMINAL: G/F, SCREW: ZINC
 2: TERMINAL: Sn, SCREW: G/F
 △ 3: TERMINAL: Sn, SCREW: ZINC

ANYTEK

CUSTOMER COPY

ALL RIGHTS RESERVED. REPRODUCTION OR ISSUE TO THIRD PARTIES IN ANY FORM WHATSOEVER IS NOT PERMITTED WITHOUT WRITTEN AUTHORITY FROM THE PROPRIETOR. PROPERTY OF ANYTEK TECHNOLOGY CO., LTD

TITLE		YK-611 W/O Flange Series				
PART NO.		YK611xx0xx00G		DWG NO.	8YK0001-611	
APPROVED	CHECKED	DESIGNED	DRAWN	CUST NO.		Tolerance
		Guoxue 2012.12.01	Guoxue 2012.12.01			X. ±0.50
					UNIT: mm	X.X ±0.30
					SCALE: NONE	X.XX ±0.10
				SHEET: 01/01	REV.: C	X° ±1°

Mouser Electronics

Authorized Distributor

Click to View Pricing, Inventory, Delivery & Lifecycle Information:

Amphenol:

[YK6110203000G](#) [YK6110303000G](#) [YK6110403000G](#) [YK6110503000G](#) [YK6110603000G](#) [YK6110703000G](#)
[YK6110803000G](#) [YK6110903000G](#) [YK6111003000G](#) [YK6111103000G](#) [YK6111203000G](#) [YK6111303000G](#)
[YK6111403000G](#) [YK6111503000G](#) [YK6111603000G](#) [YK6111703000G](#) [YK6111803000G](#) [YK6111903000G](#)
[YK6112003000G](#) [YK6112103000G](#) [YK6112203000G](#) [YK6112303000G](#) [YK6112403000G](#) [YK6112503000G](#)
[YK6112603000G](#) [YK6112703000G](#) [YK6112803000G](#) [YK6112903000G](#) [YK6113003000G](#)