

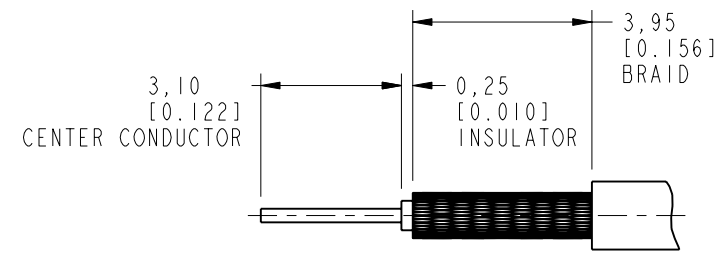
NOTES:

1. MATERIALS AND FINISHES:
 BODY, R. RING AND HEX NUT - BRASS, NICKEL PLATING.
 CONTACTS - BERYLLIUM COPPER & BRASS, GOLD PLATING.
 INSULATORS - VIRGIN WHITE TEFLON
 O-RING, GASKET - SILICONE RUBBER
 LOCKWASHER - PHOSPHOR BRONZE
2. ELECTRICAL:
 A. IMPEDANCE: 50 OHM.
 B. FREQUENCY RANGE = DC TO 2.0 GHz
3. MECHANICAL:
 A. ASSEMBLY IS DESIGNED TO BE WATERTIGHT TO A DEPTH OF 2 METERS FOR 30 MINUTES PRESSURIZED AT THE INTERFACE END.
 B. INTERFACE MEETS THE REQUIREMENTS OF MIL-STD-348, TNC SERIES
4. PACKAGING:
 A. QUANTITY: SINGLE PACK
 B. MARKING: BAG TO BE MARKED "AMPHENOLRF, 31-6395, AND DATE CODE"

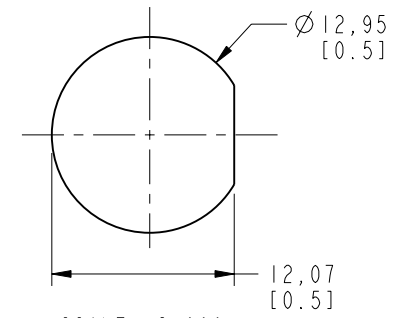
THIRD ANGLE PROJ.

REVISIONS

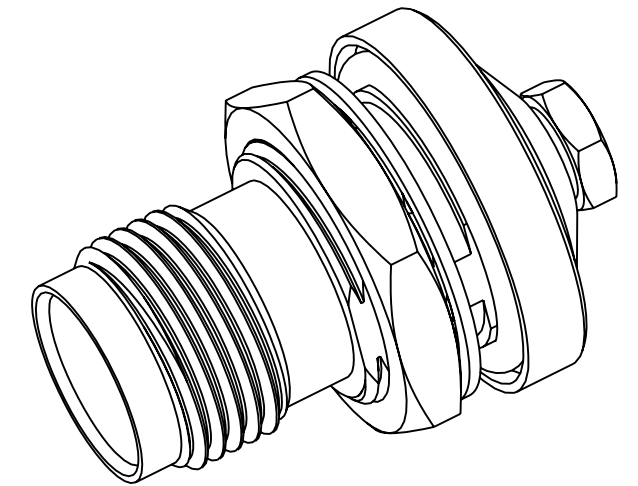
| REV | DESCRIPTION | DATE | ECO | APPR |
|-----|-----------------|-----------|-------|------|
| A | RELEASE TO MFG. | 02/03/10 | 47944 | BM |
| B | SEE SHEET 1 | 22-Jul-10 | 48211 | AC |



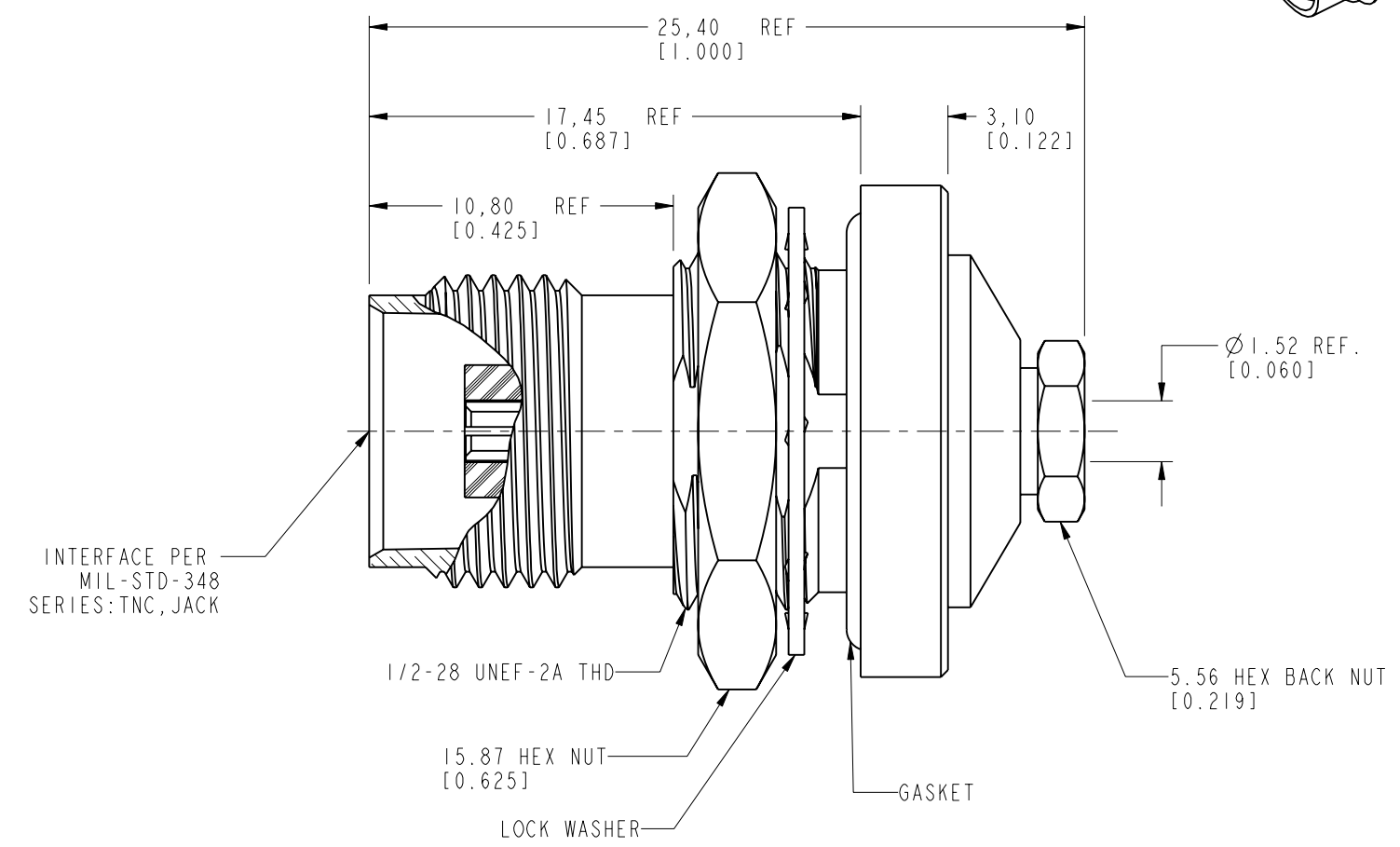
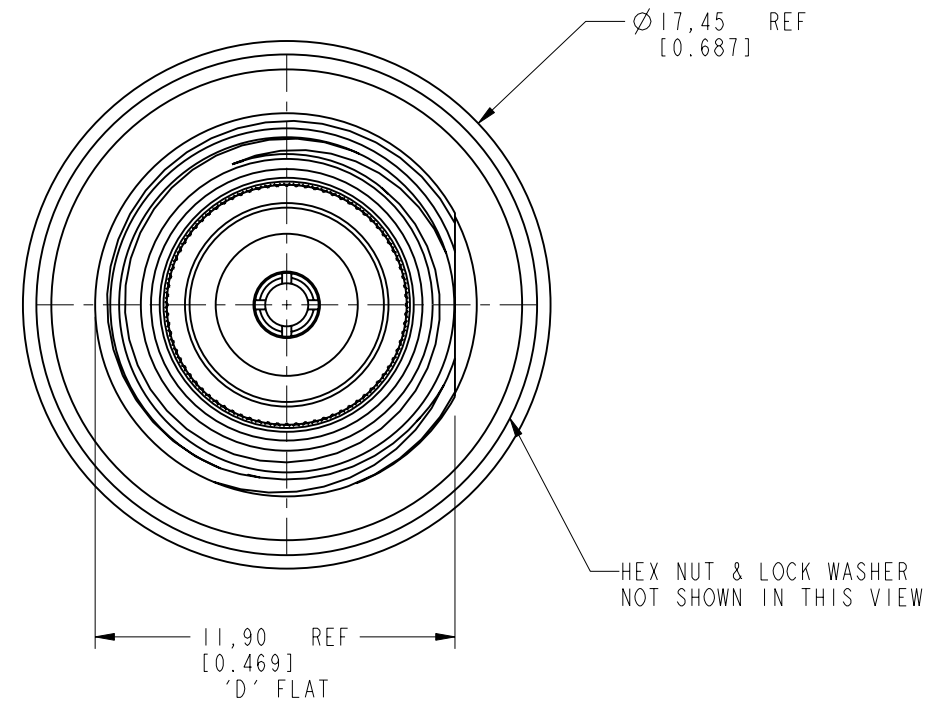
SCALE 6.000
RECOMENDED CABLE STRIPPING DIMENSIONS



SCALE 2.000
RECOMENDED MOUNTING HOLE DIMENSIONS



SCALE 3.000



CUSTOMER OUTLINE DRAWING
 ALL OTHER SHEETS ARE FOR INTERNAL USE ONLY

| | | | | | | | |
|--|-------------------------|-----------|----------------|---|------------------|---|---------------------|
| UNLESS OTHERWISE SPECIFIED, DIMENSIONS ARE IN METRIC AND TOLERANCES ARE: 0.5 - 6mm ±0.1mm 6 - 30mm ±0.2mm 30 - 120mm ±0.3mm ANGLES ±1° NOTICE - These drawings, specifications, or other data (1) are, and remain the property of Amphenol corp. (2) must be returned upon request; and (3) are confidential and not to be disclosed to any person other than those to whom they are given by Amphenol Corp. the furnishing of these drawings, specifications, or other data by Amphenol Corp., or to any other person to anyone for any purpose is not to be regarded by implication or otherwise in any manner licensing, granting rights to permitting such holder or any other sperson to manufacture, use or sell any product, process or design, patented or otherwise, that may in any way be related to or disclosed by said drawings, specifications, or other data. | MATERIAL | DRAWN | DATE | TITLE TNC BHD JACK, IP-68 FOR .047" CABLE | | Amphenol RF Danbury CT USA, Tainan, Taiwan, Shenzhen, China www.amphenolrf.com | |
| | SEE NOTES | S.LI | 21-Jul-10 | | | | |
| REFERENCE EAR # 3527 CONFIGURATION LEVEL: Prototype FINISH | APPROVED | DATE | SCALE: 4.0:1.0 | | SHEET 2 OF 2 | | DRAWING NO. 31-6395 |
| | A.CHEN | 22-Jul-10 | DWG SIZE | CODE ID | REV | ITEM NO. 31-6395 | |
| | Root Folder/TNC/31-6395 | B | 74868 | B | PART NO. 31-6395 | | |