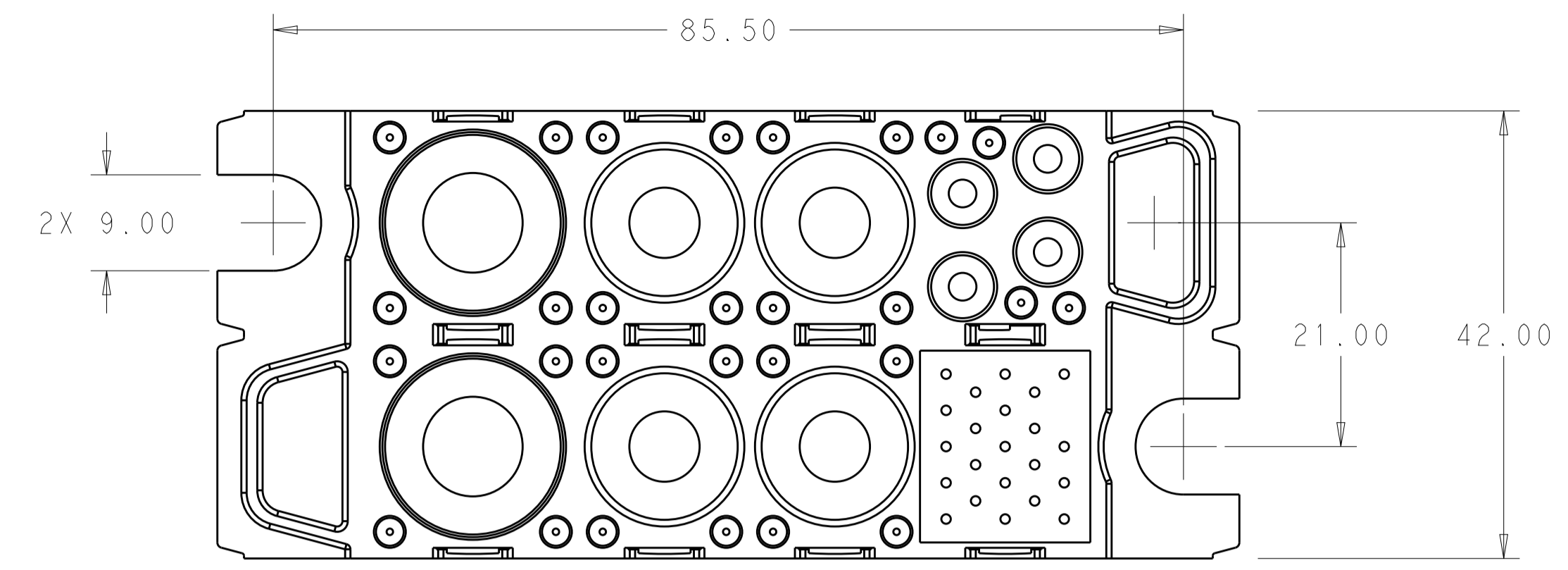
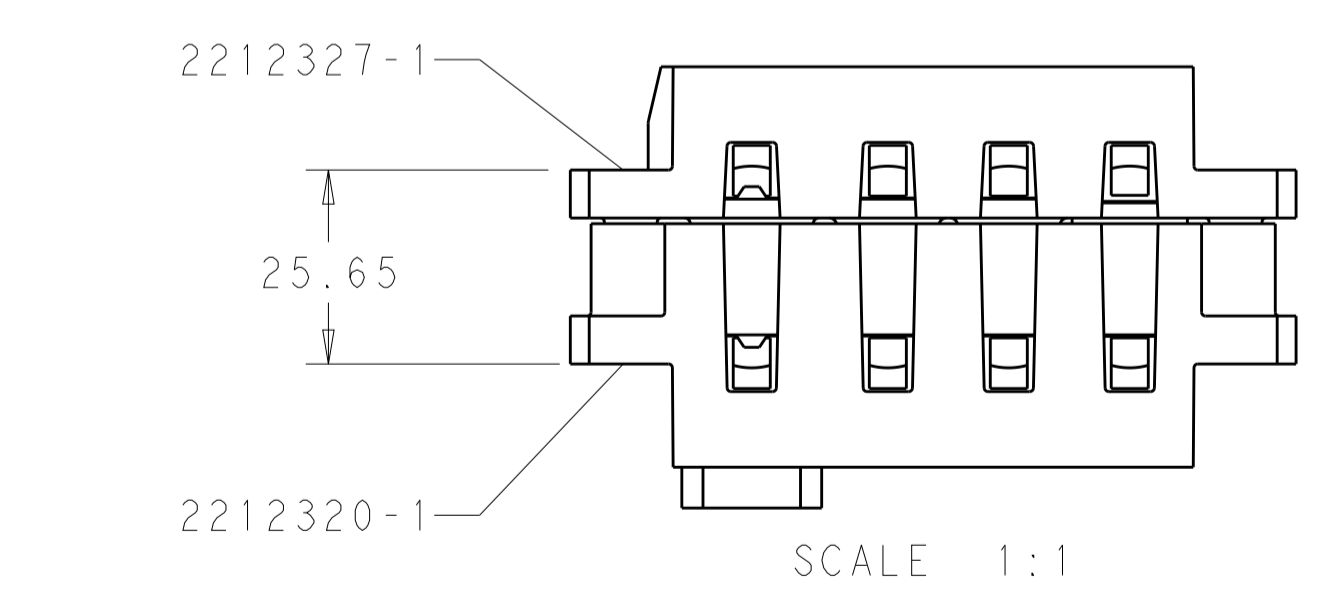
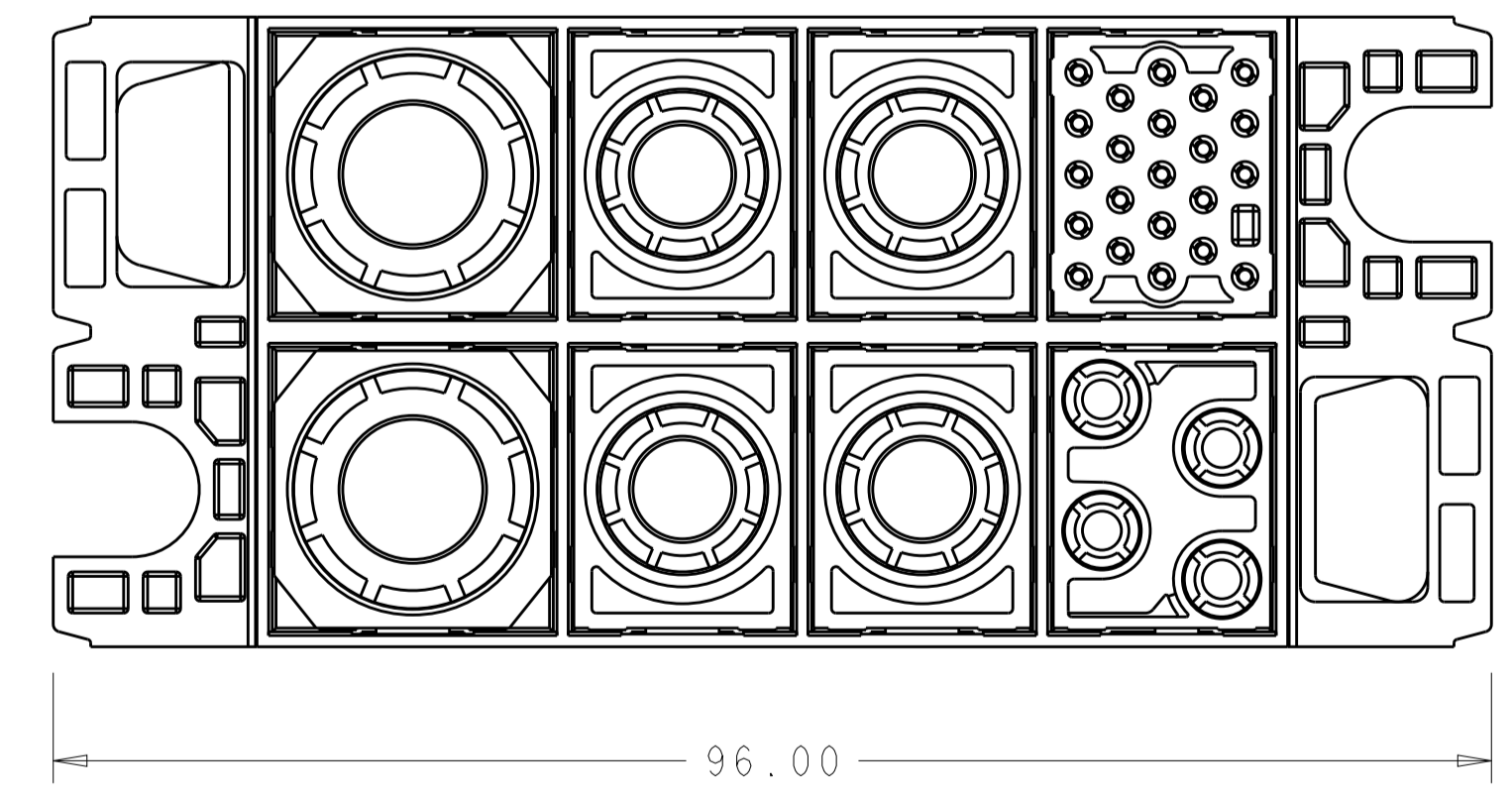
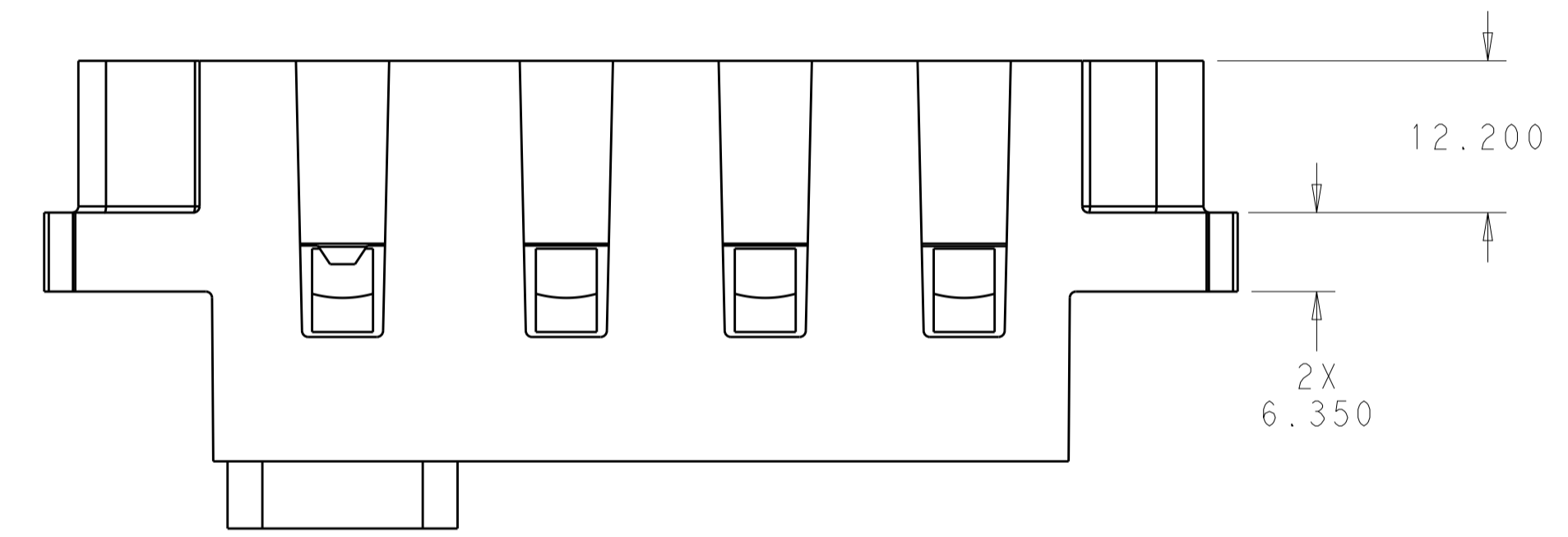
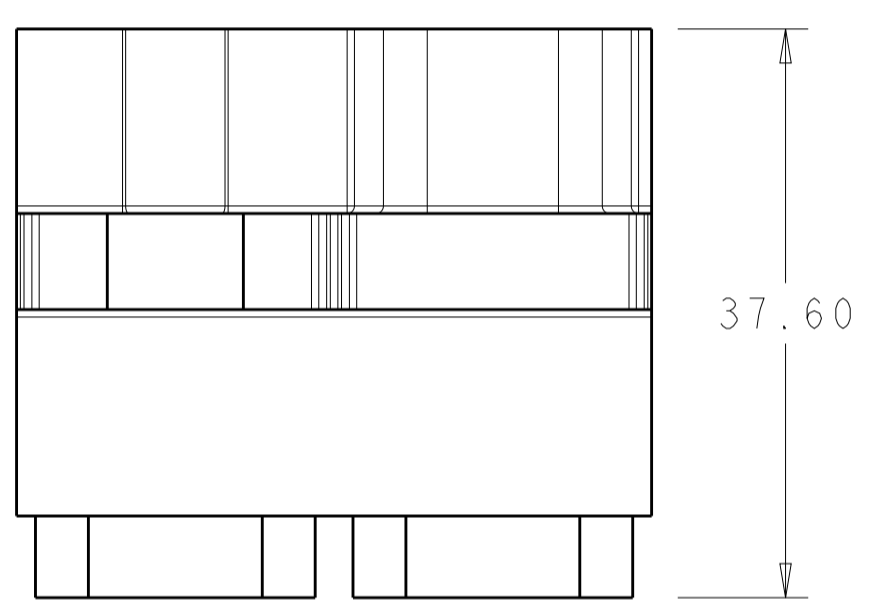
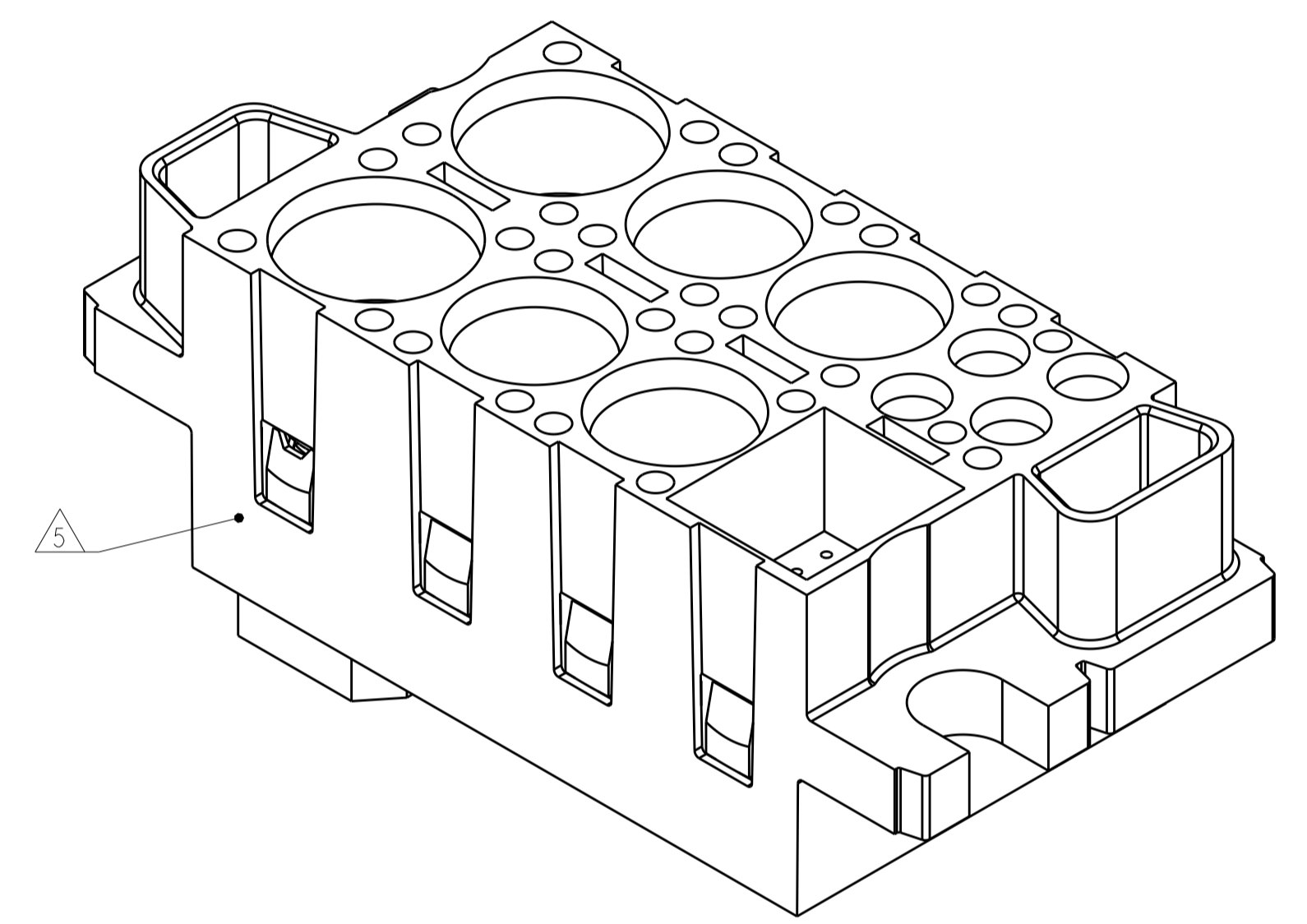


LOC		DIST		REVISIONS			
P	LTN	DESCRIPTION	DATE	DWN	APVD		
2		STANDARDIZE DWG	02FEB2015	RT	EW		



- 1 HOUSING: THERMOPLASTIC, COLOR BLACK, FLAMMABILITY RATING UL 94 V-0.
- 2 THIS ASSEMBLY TO MATE WITH TEC PART NUMBER 2212327-1.
- 3. RECOMMENDED SHOULDER SCREW:
 2212056, FLOAT MOUNT
 2212055, FIXED MOUNT
- 4 RECOMMENDED PANEL CUTOUT FOR FRONT PANEL MOUNT APPLICATION.
 RECOMMENDED PANEL THICKNESS 1.5 TO 1.78.
- 5 DATE CODE AND PART NUMBER IN APPROXIMATE AREA SHOWN.



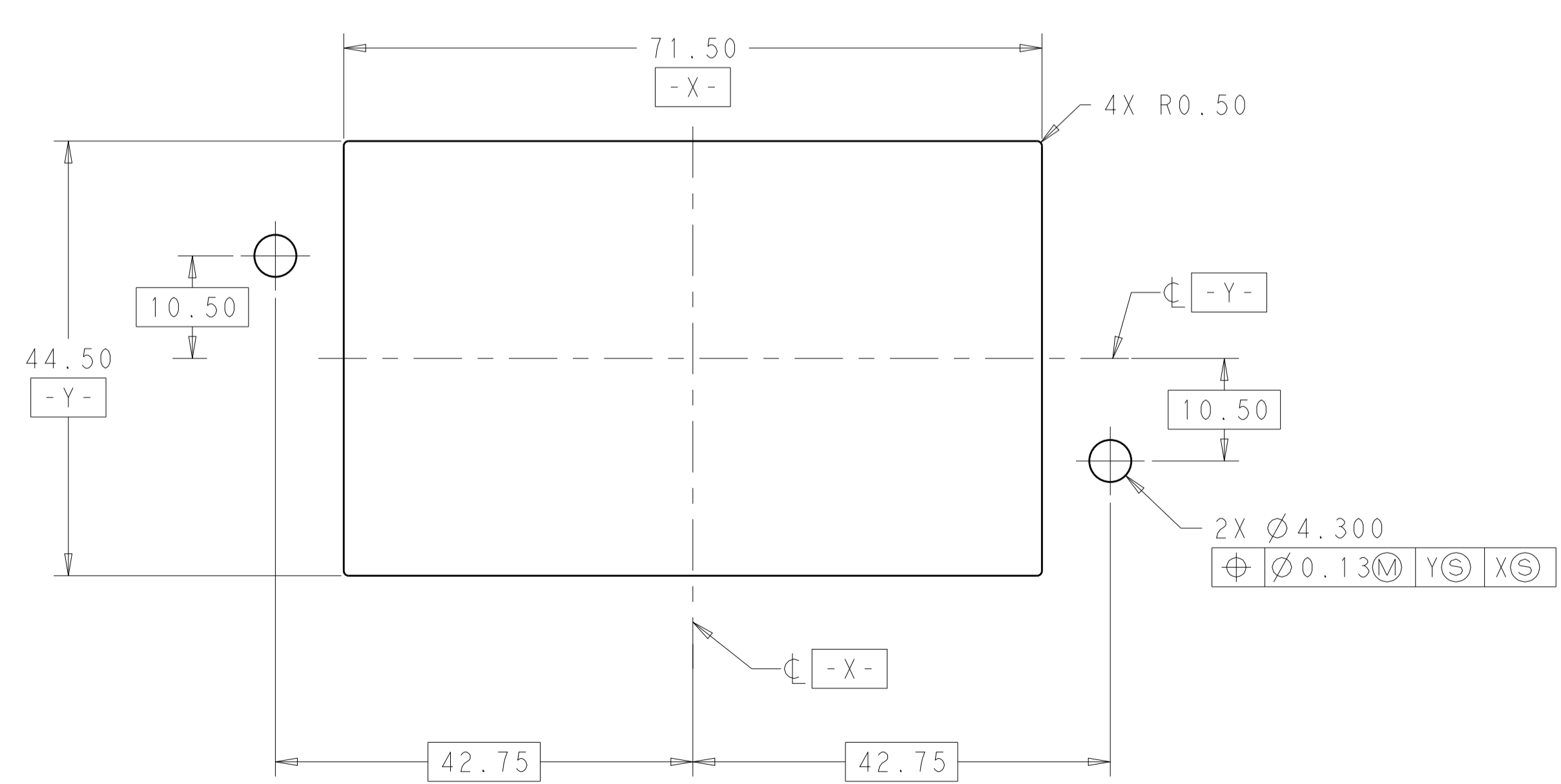
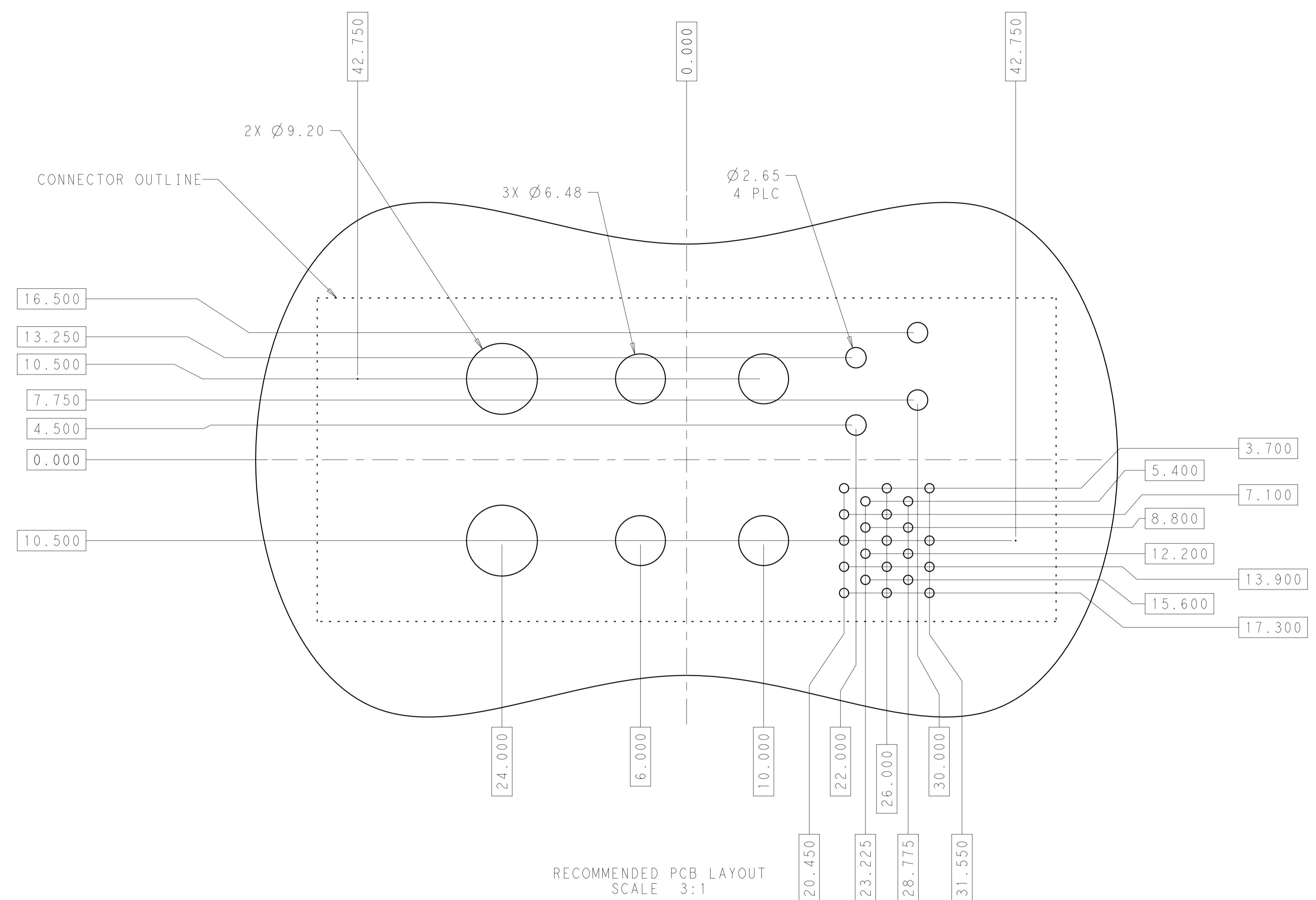
FULLY MATED ASSEMBLIES 2

CONNECTOR, PIN, FORGE 2x#0,4x#4,0x#8,1x#12,1x#22	2212320-1
DESCRIPTION	PART NO.

THIS PRINT IS
PRELIMINARY
 UNQUALIFIED PRODUCT
 CONTACT PRODUCT ENGINEERING
 BEFORE USING THIS PRINT

THIS DRAWING IS A CONTROLLED DOCUMENT.		DWN: R. IDEA 16 JAN 2015	TE Connectivity	
DIMENSIONS: mm		CHK: E. WICKES 16 JAN 2015	PRELIMINARY CONNECTOR PIN, FORGE 2x#0,4x#4,0x#8,1x#12,1x#22 CONFIGURATION	
TOLERANCES UNLESS OTHERWISE SPECIFIED:		APVD: S. STRICKER 16 JAN 2015		
0 PLC ±N/A		PRODUCT SPEC 108-2323		
1 PLC ±N/A		APPLICATION SPEC 114-13299		
2 PLC ±0.25		SIZE: A1	CAGE CODE: 00779	DRAWING NO: 2212320
3 PLC ±0.13		WEIGHT: -	SCALE: 2:1	SHEET 1 OF 2
4 PLC ±N/A		MATERIAL: -	REV: 2	
ANGLES ±N/A		FINISH: -	Customer Drawing	

LOC	DIST	REV	DATE	BY	APPV
-	-	1	16 JAN 2015	S. STRICKLER	
DESCRIPTION			DATE	DMN	APV
SEE SHEET 1			-	-	-



RECOMMENDED PCB LAYOUT
SCALE 3:1

RECOMMENDED PANEL CUTOUT
SCALE 2:1

THIS DRAWING IS A CONTROLLED DOCUMENT.		DMN: R. TREA 16 JAN 2015	 TE Connectivity
DIMENSIONS: mm		CHK: E. WICKES 16 JAN 2015	
TOLERANCES UNLESS OTHERWISE SPECIFIED:		APV: S. STRICKLER 16 JAN 2015	NAME: CONNECTOR, PIN, FORGE
0 PLC ±N/A		PRODUCT SPEC: 108-2323	2x#0, 4x#4, 0x#8, 1x#12, 1x#22 CONFIGURATION
1 PLC ±N/A		APPLICATION SPEC: 114-13299	SIZE: A1
2 PLC ±0.25		WEIGHT: -	CAGE CODE: 2212320
3 PLC ±0.13		RESTRICTED TO: -	SCALE: 1:1
4 PLC ±N/A		Customer Drawing	SHEET 2 OF 2
ANGLES ±N/A			REV 2
FINISH: -			

Mouser Electronics

Authorized Distributor

Click to View Pricing, Inventory, Delivery & Lifecycle Information:

[TE Connectivity:](#)

[2212320-1](#)