
 AAC AAC ACOUSTIC TECHNOLOGIES (SHENZHEN) CO., LTD.	ISSUE: X1	
PART No. AM0502B-RS381-M02	Remark: GP compliant	DATE: Jan.04.2018

APPROVAL SHEET FOR MICROPHONE

CUSTOMER: _____

CHECKER: Zeng Peng

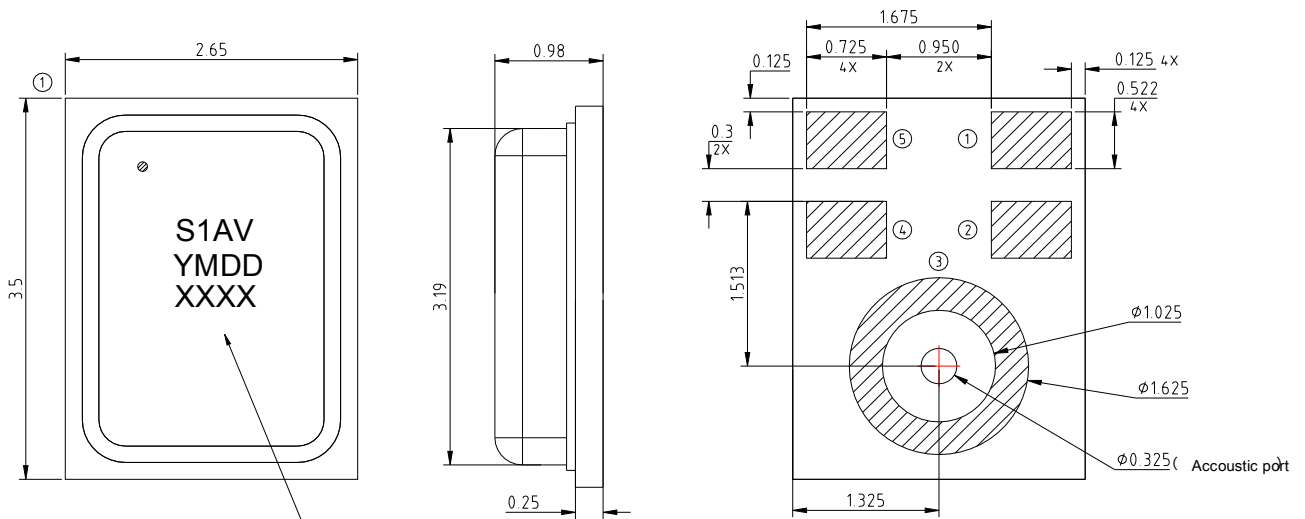
APPROVER: Wu zhijiang

 AAC AAC ACOUSTIC TECHNOLOGIES (SHENZHEN) CO., LTD.		ISSUE: X1
PART No. AM0502B-RS381-M02	Remark: GP compliant	DATE: Jan.04.2018

CONTENTS

1. Mechanical Layout and Dimensions-----	3
2. Recommended Customer Land Pattern-----	4
3. Product Specifications-----	5
4. Test Setup-----	6
5. Reliability Specifications-----	7
6. Packaging Specifications-----	8
7. Solder Reflow Profile-----	11
8. Specification History-----	12

1. Mechanical Layout and Dimensions



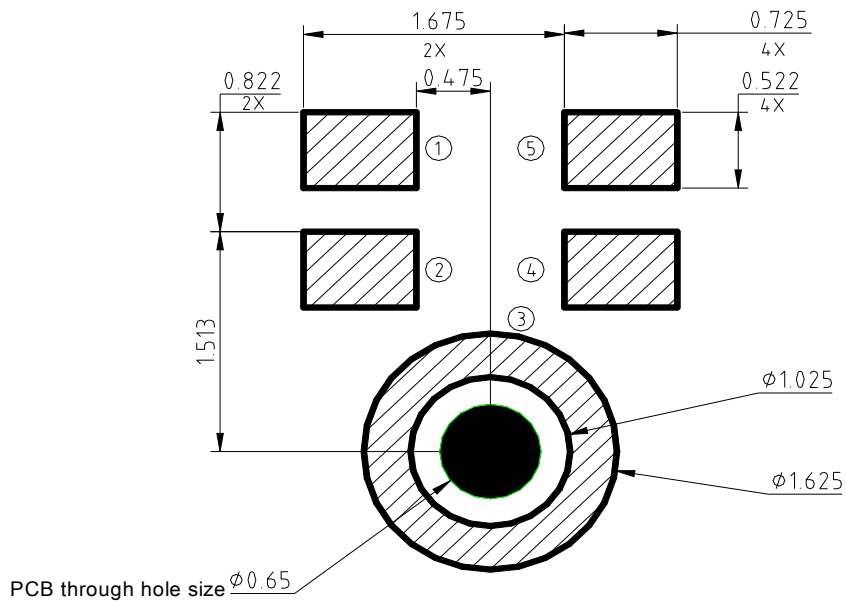
Y	Year, 1 number, 0-9 stand for 2010-2019
M	Month, 1 number, 1-9,A,B,C
DD	Date, 2 numbers, 01-31

Pin Output	
Pin #	Function
1	Output
2	Ground
3	Ground
4	Ground
5	Power

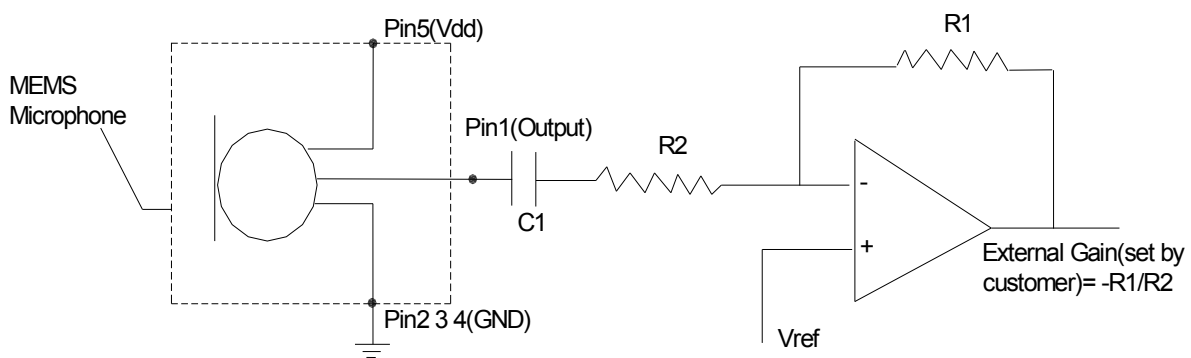
Items	Dim.	Tol. (+/-)	Units
Length	3.50	0.10	mm
Width	2.65	0.10	mm
Height	0.98	0.10	mm
Port Hole	0.325	0.05	mm

Note: Tolerance +/-0.15mm unless otherwise specified

2. Recommended Customer Land Pattern:



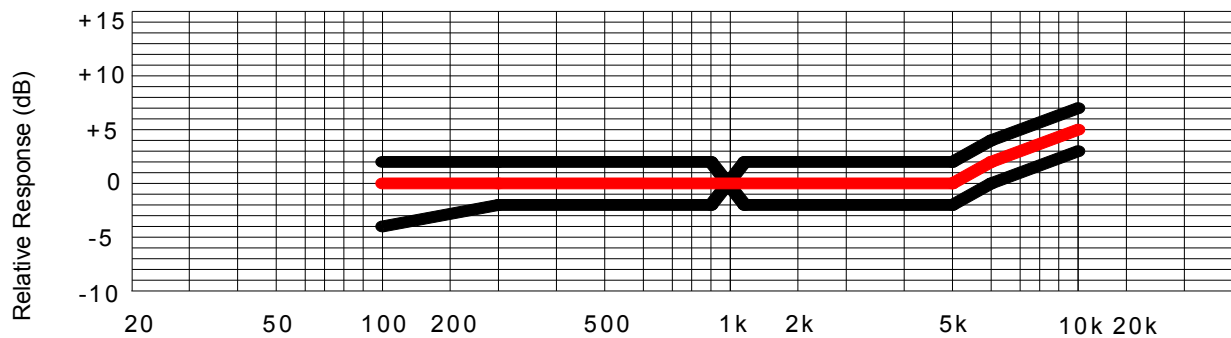
Interface Circuit



3. Product Specifications:

Test conditions: +25°C, 60-70%R.H

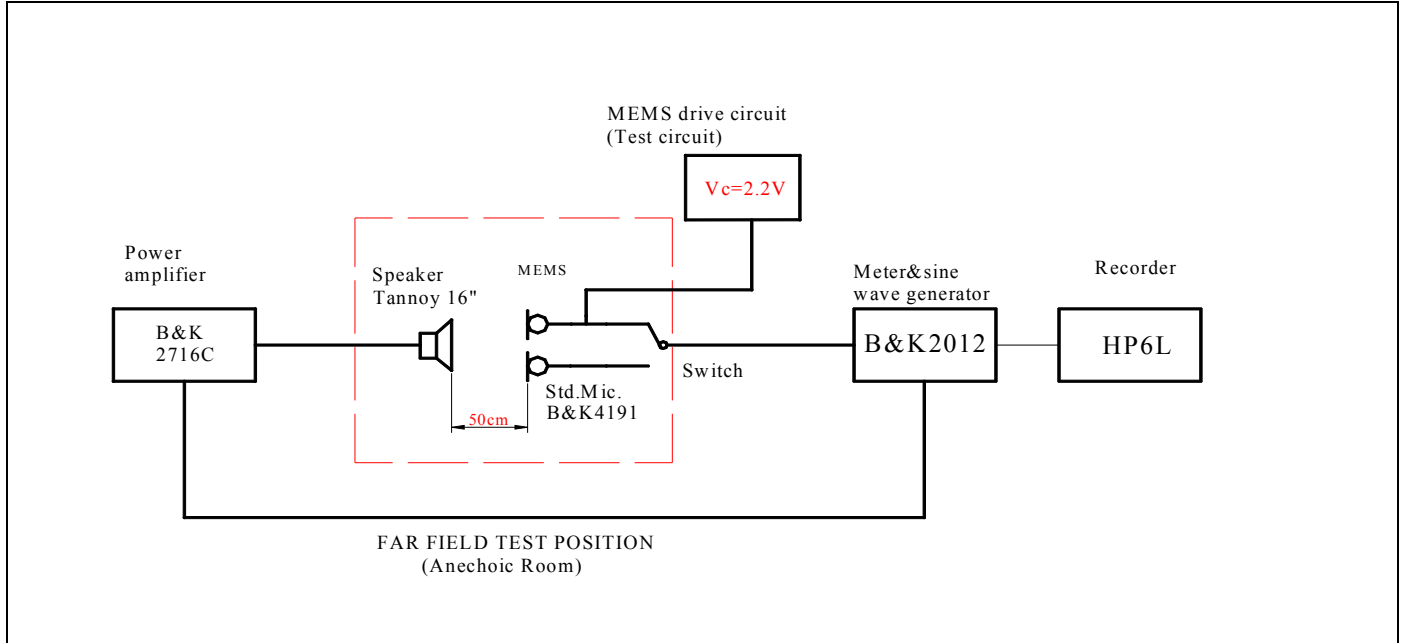
Items	Symbol	Condition	Limits			Unit
			Min.	Nom.	Max.	
Directivity		Omni-Directional				
Sensitivity	S	94dB SPL @1kHz, Vdd=2.2V	-39	-38	-37	dB
Output Impedance	Z _{out}	94 dB SPL @1kHz, Vdd=2.2V			400	Ω
Supply Voltage	V _{DD}		1.6	2.2	3.6	V
Rated Current		94dB SPL @1kHz, Vdd=2.2V			100	uA
S/N Ratio	SNR	94dB SPL @1kHz A-weighted	-	66	-	dB
Total Harmonic Distortion	THD	94dB SPL @1kHz S=Typ, Rload>2Kohm	-	0.15	0.50	%
Acoustic Overload Point	AOP	10% THD @1kHz S=Typ, Vdd=2.2V, Rload>2Kohm	-	125	-	dB SPL
Power Supply Rejection	PSR	100mVpp Squarewave @217Hz, Vdd=2.2V, A-weighted	-	-95	-	dBV
Power Supply Rejection Radio	PSRR	200mVpp Sinewave @1KHz, Vdd=2.2V, Rload>2Kohm	-	60	-	dB

Frequency Response Curve


Frequency(Hz)	100	300	900	1000	1200	6000	10000
Upper Limit(dB)	2	2	2	0	2	4	7
Lower Limit(dB)	-4	-2	-2	0	-2	0	3

Items	Limit			Unit
	Min.	Nom.	Max.	
Operating temperature	-40	+25	+85	°C
Storage temperature	-40	+25	+85	°C

4. Test Setup





5. Reliability Specifications

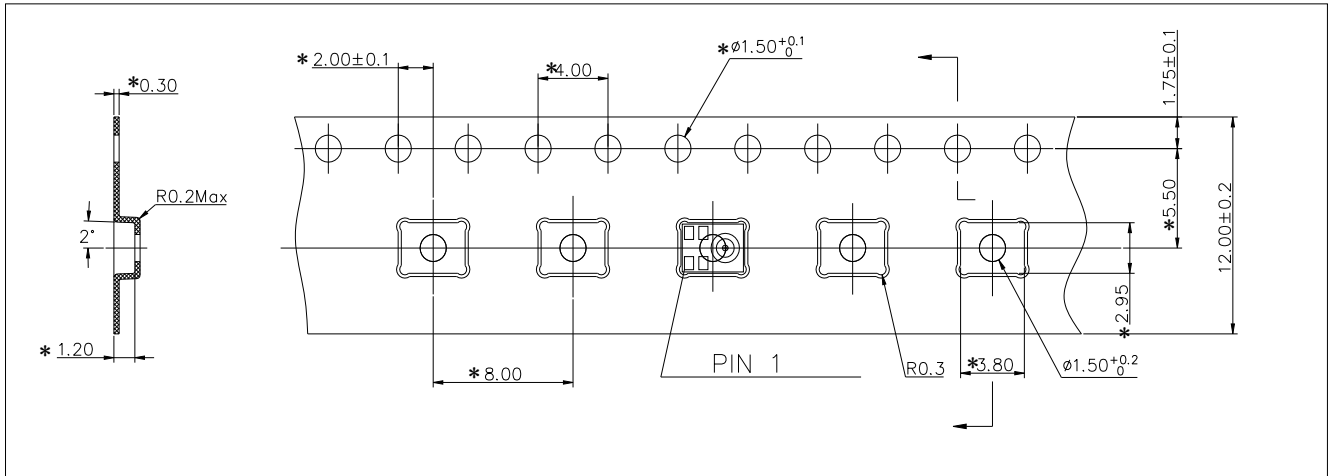
As per customer's requirements. If no customer's requirements available please refer to following tests.

Test item	Detail
Reflow	Microphone is tested to 3 passes through reflow oven, with microphone mounted upside-down under conditions of 260°C for 30 seconds maximum.
Thermal Shock	Microphone unit must operate when exposed to air-to-air thermal shock 100 cycles From -40°C to +125°C with 15 minute soaks. (IEC 60068-2-14)
Mechanical Shock	Microphone must operate after exposure to shock test of 3,000 G (IEC60068-2-27)
Low Temperature	Microphone unit must maintain sensitivity after storage at -40±3°C for 72 hours. (IEC60068-2-1)
High Temperature	Microphone unit must maintain sensitivity after storage at +85±3°C for 72 hours. (IEC60068-2-2)
Vibration Test	Microphone unit must operate under test condition: 4 cycles, from 20 to 2,000Hz in each direction (x, y, z), 48 minutes, using peak acceleration of 20 G (+20%,-0%). (IEC60068-2-6)
Damp heat	Tested under bias at 55±3°C/95%R.H for 96 hours. (IEC60068-2-3)
Drop Test	1.5 Meter height onto a concrete surface each time at three directions in state of packing, total 18 times. (IEC60068-2-32)
ESD	HBM: 100pF,1500 ohms, +/-2kV direct contact Power Pin and Output Pin; MM: 100pF, 0 ohms, +/-200V direct contact Power Pin and Output Pin. 3 times each supply, total 6 times

The measurement shall to be done after 2 hours of conditioning at room temperature.

The sensitivity change within ±3dB relative to initial value.

6. Packaging Specifications

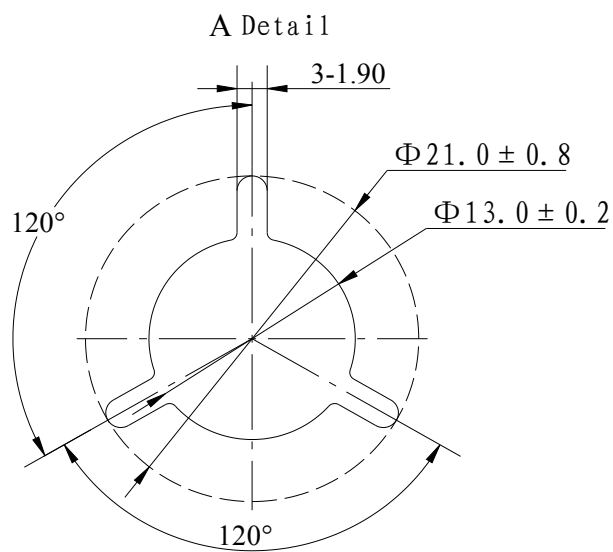
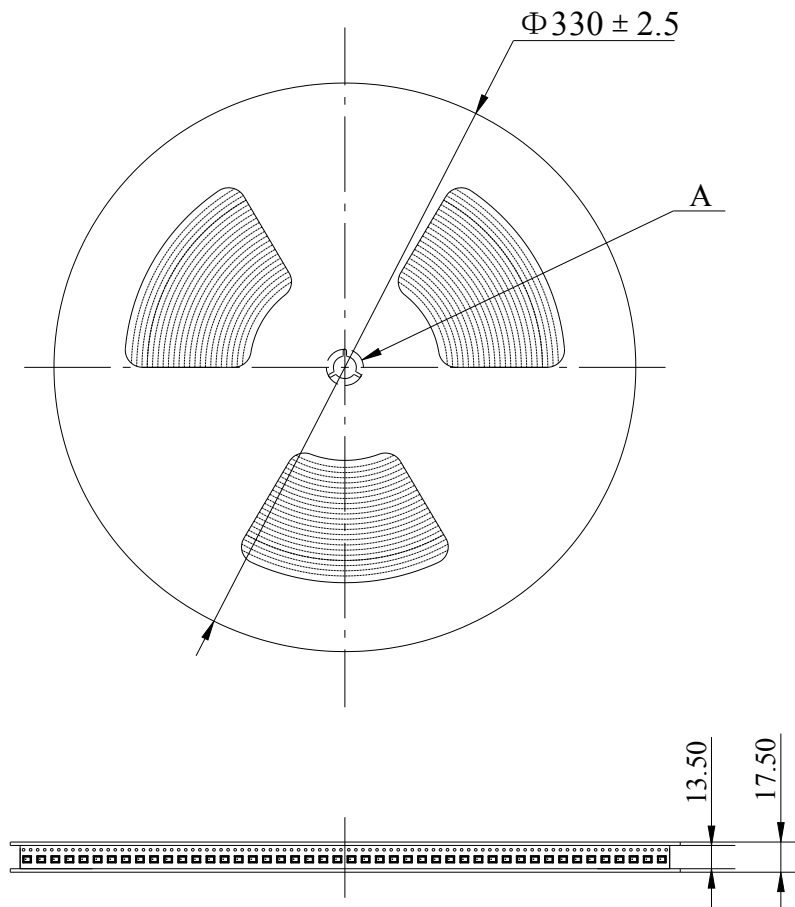


Notes:

1. 10 sprocket hole pitch cumulative tolerance +/-0.2;
2. Camber in compliance with EIA481;
3. Pocket position relative to sprocket hole measured as true position of pocket. Not pocket hole.

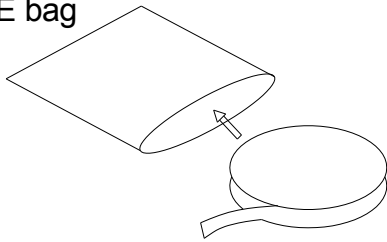
Part Number	Reel Diameter	Qty per Reel
AM0502B-RS381-M02	13 "	4500

Leader length	Cells at leading end and trailing end of tape should be empty for a length of 350~450 mm.
Label	Label applied to external package and directs to reel. Per JEDEC.
Empty Units	No consecutive empty pockets; No more than 3 empty pockets per reel. (Does not include empty pockets for leader/follower).

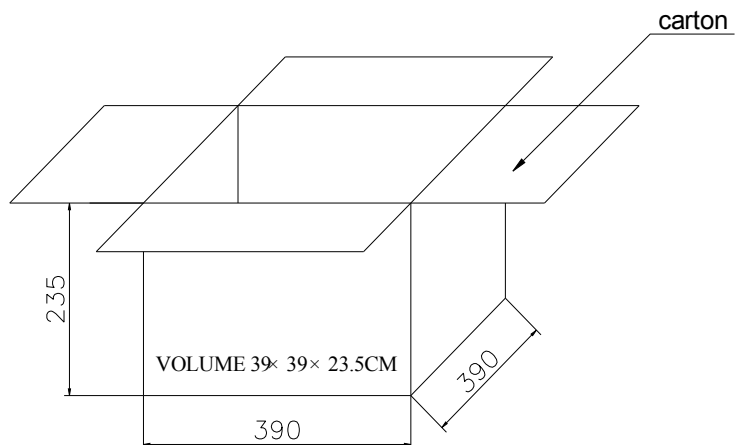
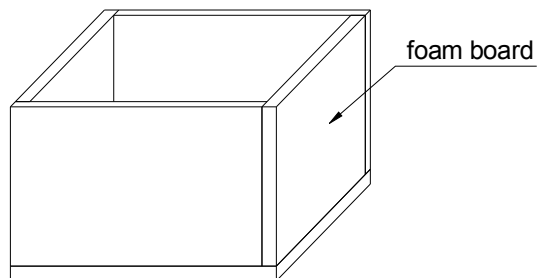
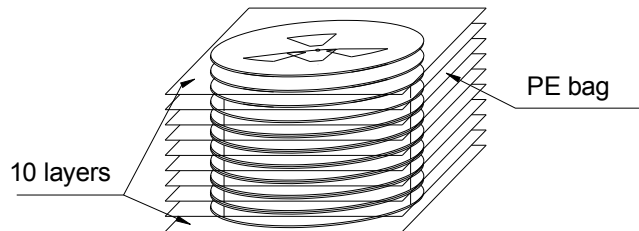
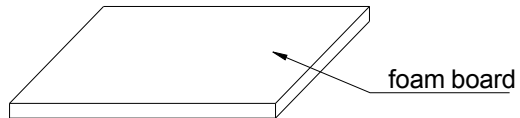


4,500 PCS PRODUCTS/1 reel

PE bag



Reel
4,500PCS/one reel



45,000 PCS PRODUCTS/1 CARTON

**AAC**

AAC ACOUSTIC TECHNOLOGIES (SHENZHEN) CO., LTD.

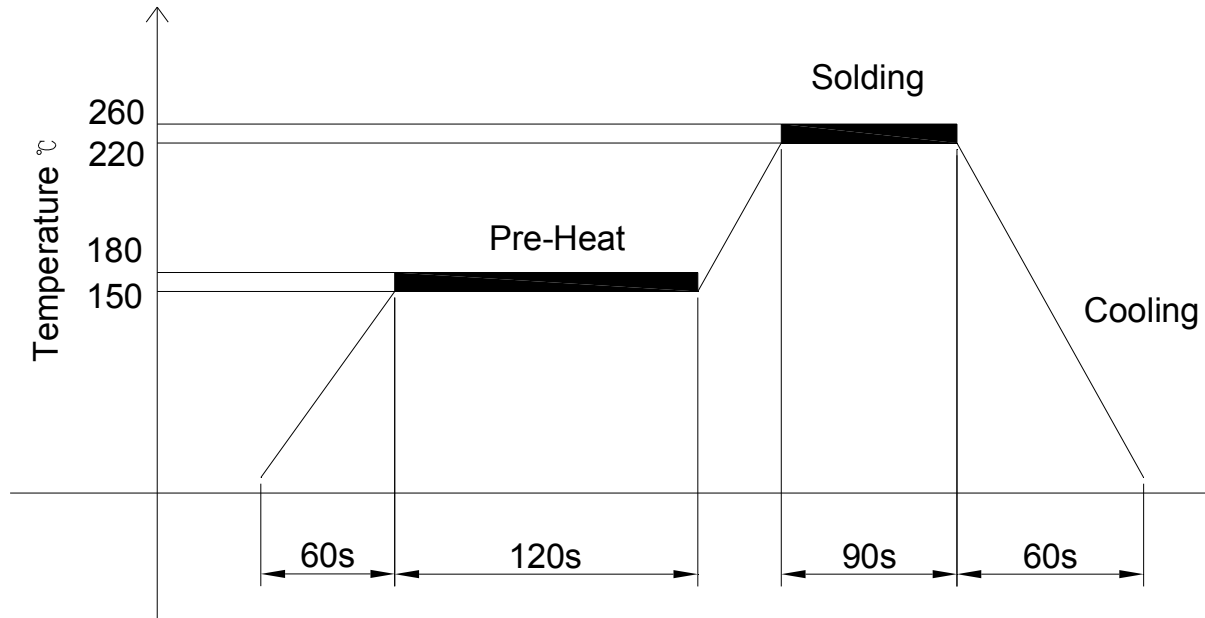
ISSUE: X1

PART No. **AM0502B-RS381-M02**

Remark: GP compliant

DATE: Jan.04.2018

7. Solder Reflow Profile



Stage	Temperature Profile	Time(maximum)
Pre-heat	150-180°C	120sec.
Soldering	Above 220°C	90sec.
Peak	260°C (Max)	30sec.

Notes:

1. Pulling vacuum over acoustical hole of the microphone is not allowed, because the device can be damaged by vacuum.
2. Wash the board after reflow process is not allowed, because board washing and cleaning agents can damage the device. Device should not be exposed to ultrasonic processing or cleaning.
3. Recommended number of reflow is no more than 3 times.

**AAC**

AAC ACOUSTIC TECHNOLOGIES (SHENZHEN) CO., LTD.

ISSUE: X1

PART No. **AM0502B-RS381-M02**

Remark: GP compliant

DATE: Jan.04.2018

8. Specification History

ISSUE	PREP	CHKD	DETAIL SPEC CHANGES:	DATE
X1	Zengpeng	Wuzhijiang	Initial Spec Release	Jan.04.2018