



# PRODUCT DATASHEET

## Jenny series

last update 5/9/2014

### DETAILS

<b>Product Number</b>	C14436_JENNY-HLD-A-BLK
<b>Family</b>	Jenny
<b>Type</b>	Accessory
<b>Color</b>	black
<b>Diameter</b>	34.8+50 mm
<b>Height</b>	5 mm
<b>Style</b>	rectang
<b>Optic Material</b>	
<b>Holder Material</b>	PC
<b>Fastening</b>	screw
<b>Status</b>	ready
<b>ROHS Compliant</b>	Yes
<b>Date Updated</b>	5/09/2014



### OPTICAL PROPERTIES

LED	Viewing Angle	Light Beam	Efficiency	cd/lm	Connector
Unknown	N/A deg		-	sim: 0.000	-

D

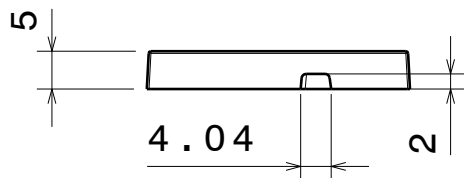
C

B

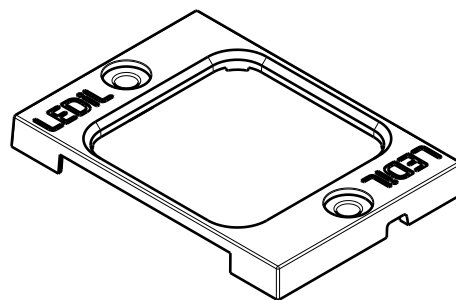
A

4

4



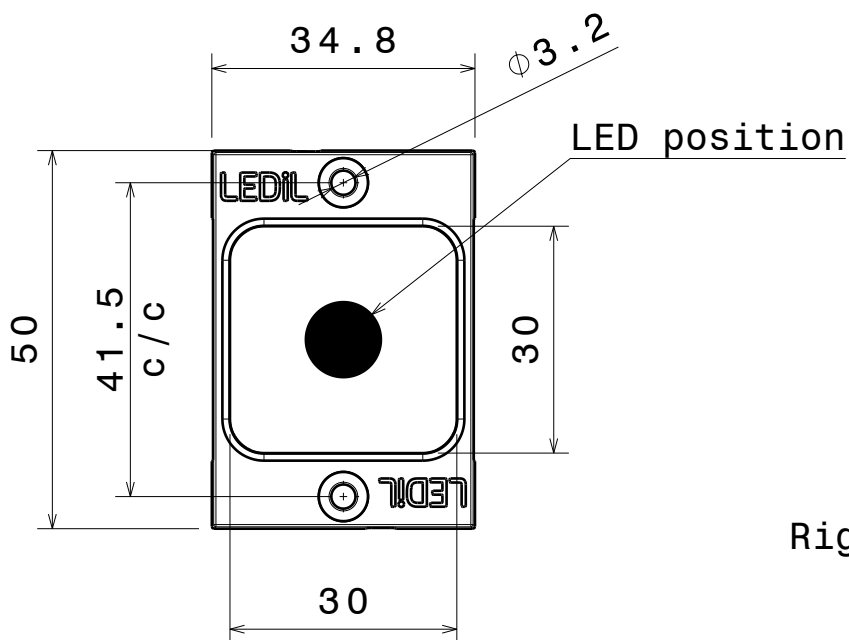
Front view



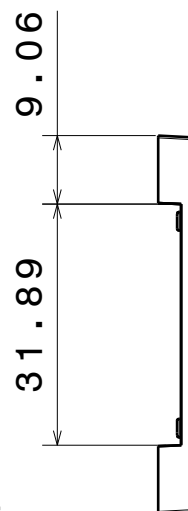
Isometric view

3

3



Top view



Right view

2

2

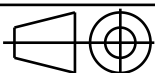
INDEX	PART NO	DESCRIPTION	MATERIAL	COLOUR
1	C14436	JENNY-HLD-A-BLK	PC	black

Tolerances if not otherwise shown  
According to DIN ISO 2768-1  
Linear measures: class C  
According to DIN ISO 2768-2  
Form and position: class L

LEDiL

Ledil Oy  
Salorankatu 10  
FIN 24240 SALO  
Finland

THIRD ANGLE PROJECTION:



DRAWING TITLE

C14436\_JENNY-HLD-A-BLK

This drawing is the property  
of LEDiL Oy. It may not be  
reproduced, copied or  
communicated without a written  
agreement with LEDiL Oy.

SIZE PART NUMBER

A4

C14436

SCALE	1:1	WEIGHT	2,65 g	SHEET	1/1
-------	-----	--------	--------	-------	-----

1

1

D

A

**NOTE: The typical divergence will be changed by different color, chip size and chip position tolerance. The typical total divergence is the full angle measured where the luminous intensity is half of the peak value.**