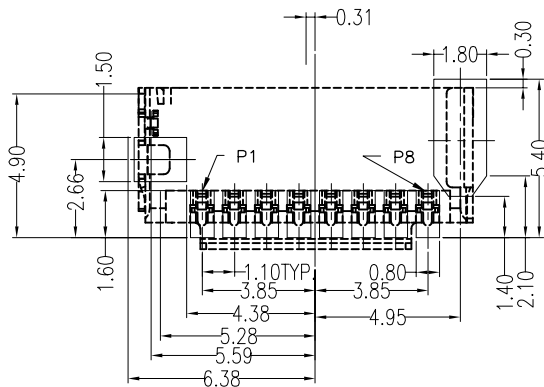


-NOTES-

- 1.Electrical:
Contact resistance:50m ohms max.
Dielectric withstanding voltage:500V RMS.
Insulation resistance:1000M ohms min.
- 2.Mechanical:
MATE AND UNMATE FORCE:
MATE FORCE:4.5kg MAX
UNMATE FORCE:0.5kg MIN
Durability:1500cycles MIN.
- 3.Environment:
Operating Temperature:-25°to+85°.
- 4.FINISH:
TERMINAL: GOLD Plated Over NICKEL
Contact area,TIN ON
SOLDER TAIL AREA& TIN
Plated ALL Over NICKEL.
Shell: SPCC WITH NICKEL&GOLD Plated.
- 5.COLOR:
HOUSING:BLACK.

序号	DIM A	DIM B	料号
1	2.65	1.45	HYCW103-TF08-265B
2	3.0	1.86	HYCW103-TF08-300B
3	3.35	2.16	HYCW103-TF08-335B
4	3.75	2.56	HYCW103-TF08-375B

Pin No.	NAME
1	DAT2
2	CD/DAT3
3	CMD
4	VDD
5	CLK
6	VSS
7	DAT0
8	DAT1



RECOMMENDED PCB LAYOUT
TOLERANCES ±0.05



深圳市华宇创精密电子有限公司

TOLERANCE: X.X ±0.30 X.XX ±0.25 X.XXX ±0.15 X' ±2' X.X' ±0.5'	DRAWN BY : 陈一鸣	DATE : 2014-02-23	PART NAME: TF 短体不带检测PIN 3.75H	
	CHECKED BY: 马跃	DATE : 2014-02-23	PART NO. HYCW103-TF08-375B	MOLD NO.
UNIT: mm [inch] SCALE:1:1 SIZE: A4	APPROVED BY:	DATE : 2014-02-23	DRAW NO: HYC-TF1809151903	SHEET NO. 1 OF 1