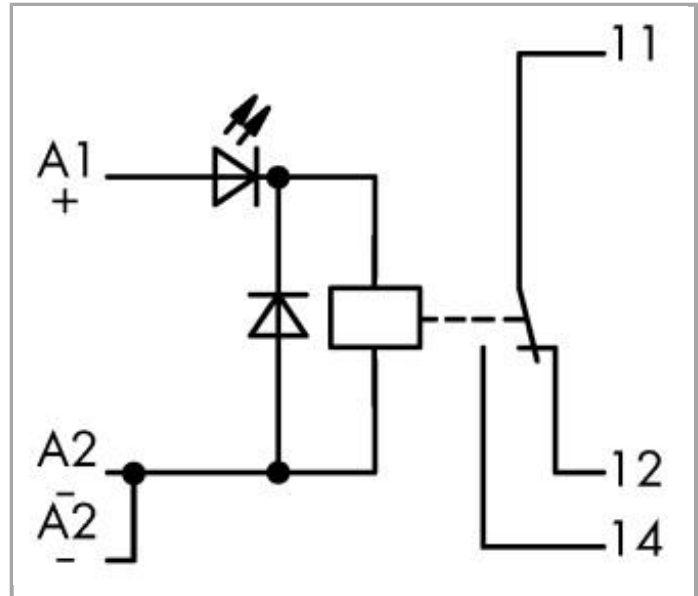
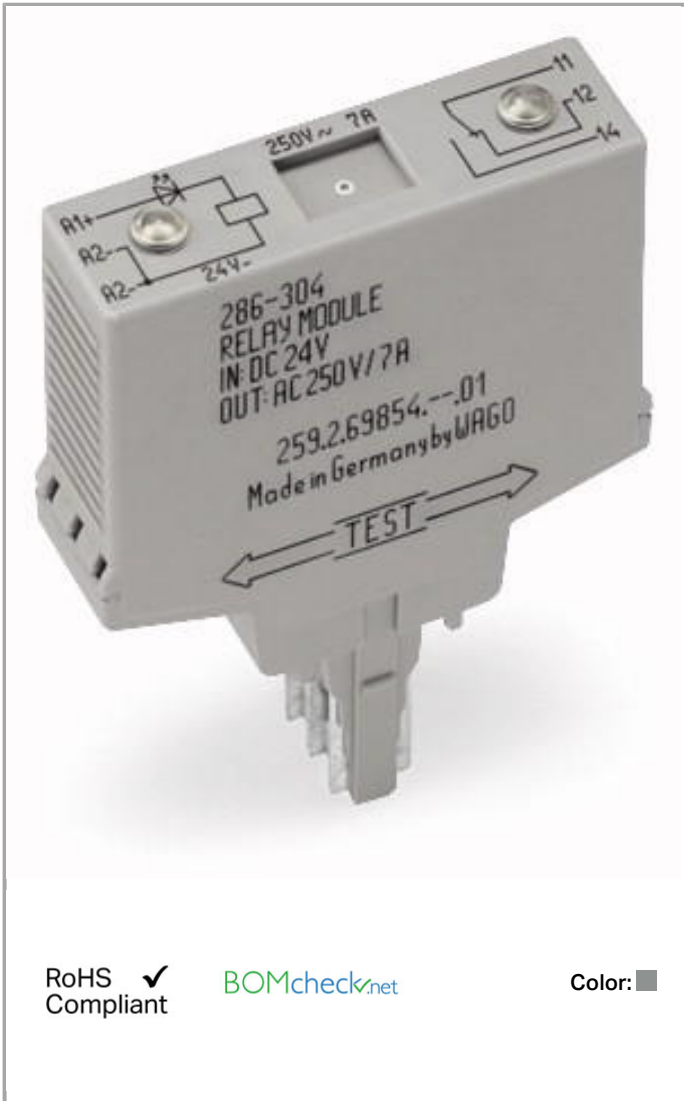


Data sheet | Item number: 286-307/004-000

Relay module; Nominal input voltage: 110 VDC; 1 changeover contact;  
Limiting continuous current: 7 A; Path; Red status indicator; Module width: 15 mm



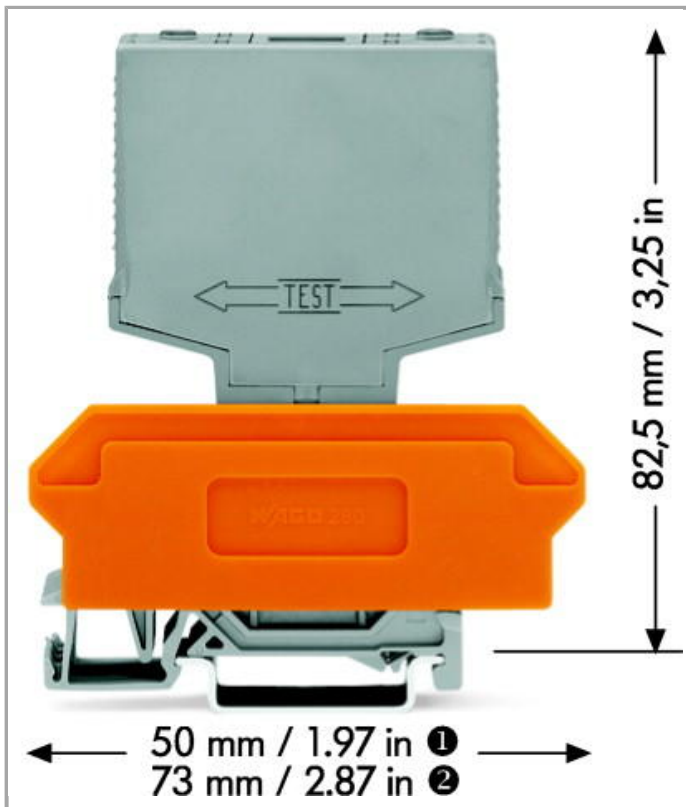
[www.wago.com/286-307/004-000](http://www.wago.com/286-307/004-000)



RoHS  Compliant

[BOMcheck.net](https://www.bomcheck.net)

Color: ■



## Data

## Technical Data

## Control circuit

Nominal input voltage $U_N$	110 VDC
Input voltage range	-30 ... +25 %
Nominal input current at $U_N$	4.8 mA

## Load circuit:

Number of changeover/switchover contacts	1
Contact material (relay)	AgNi 0.15
Limiting continuous current	7 A
Max. switching voltage	250 VAC
Max. switching power (resistive)	1750 VAAC
Pull-in time (typ.)	8 ms
Drop-out time (typ.)	6 ms
Bounce time (typ.)	4 ms

## Signaling

Status indication	LED red
-------------------	---------



### Safety and protection:

Rated voltage	250 V
Rated impulse voltage	4 kV
Pollution degree	2
Dielectric strength, control/load circuit (AC, 1 min)	4 kV <sub>rms</sub>
Dielectric strength, control/load circuit (AC, 1 min)	4 kV <sub>rms</sub>
Dielectric strength open contact (AC, 1 min)	1 kV <sub>rms</sub>
Dielectric strength open contact (AC, 1 min)	1 kV <sub>rms</sub>
Degree of protection	IP20

### Geometrical Data

Width	15 mm / 0.591 inch
Height from upper-edge of DIN-35 rail	82.5 mm / 3.248 inch
Depth	52 mm / 1.654 inch

### Mechanical data

Type of mounting	Pluggable module for carrier terminal blocks
------------------	--

### Material Data

Color	gray
Weight	23.1 g

### Environmental Requirements

Surrounding air (operating) temperature at U <sub>N</sub>	-25 ... 70 °C
Pollution degree	2

### Standards and specifications

Standards/specifications	EN 60664-1
--------------------------	------------

### Commercial data

GTIN	4045454709105
Product Group	6 (Interface Electronics)

### Compatible products

#### Marking accessories



**Item no.: 209-701**  
WSB marking card; as card; not stretchable; plain; snap-on type

[www.wago.com/209-701](http://www.wago.com/209-701)



**Item no.: 209-701/000-002**  
WSB marking card; as card; not stretchable; plain; snap-on type

[www.wago.com/209-701/000-002](http://www.wago.com/209-701/000-002)



**Item no.: 209-701/000-005**  
WSB marking card; as card; not stretchable; plain; snap-on type

[www.wago.com/209-701/000-005](http://www.wago.com/209-701/000-005)



**Item no.: 209-701/000-006**  
WSB marking card; as card; not stretchable; plain; snap-on type

[www.wago.com/209-701/000-006](http://www.wago.com/209-701/000-006)



**Item no.: 209-701/000-007**  
WSB marking card; as card; not stretchable; plain; snap-on type

[www.wago.com/209-701/000-007](http://www.wago.com/209-701/000-007)



**Item no.: 209-701/000-012**  
WSB marking card; as card; not stretchable; plain; snap-on type

[www.wago.com/209-701/000-012](http://www.wago.com/209-701/000-012)



**Item no.: 209-701/000-017**  
WSB marking card; as card; not stretchable; plain; snap-on type

[www.wago.com/209-701/000-017](http://www.wago.com/209-701/000-017)



**Item no.: 209-701/000-023**  
WSB marking card; as card; not stretchable; plain; snap-on type

[www.wago.com/209-701/000-023](http://www.wago.com/209-701/000-023)



**Item no.: 209-701/000-024**  
WSB marking card; as card; not stretchable; plain; snap-on type

[www.wago.com/209-701/000-024](http://www.wago.com/209-701/000-024)

## Downloads

### Documentation

#### Additional Information

Disposal; Electrical and electronic equipment, Packaging

Oct 15, 2018

Download

265.8 kB

Subject to changes.

WAGO Corporation  
Germantown, WI 53022  
32423 Minden  
Phone: +49571 887-0 | Fax: (262) 255-6222  
Email: [info.us@wago.com](mailto:info.us@wago.com) | Web: [www.wago.com](http://www.wago.com)

Do you have any questions about our products?  
We are always happy to take your call at {0}.