

1717445-6 ✓ ACTIVE

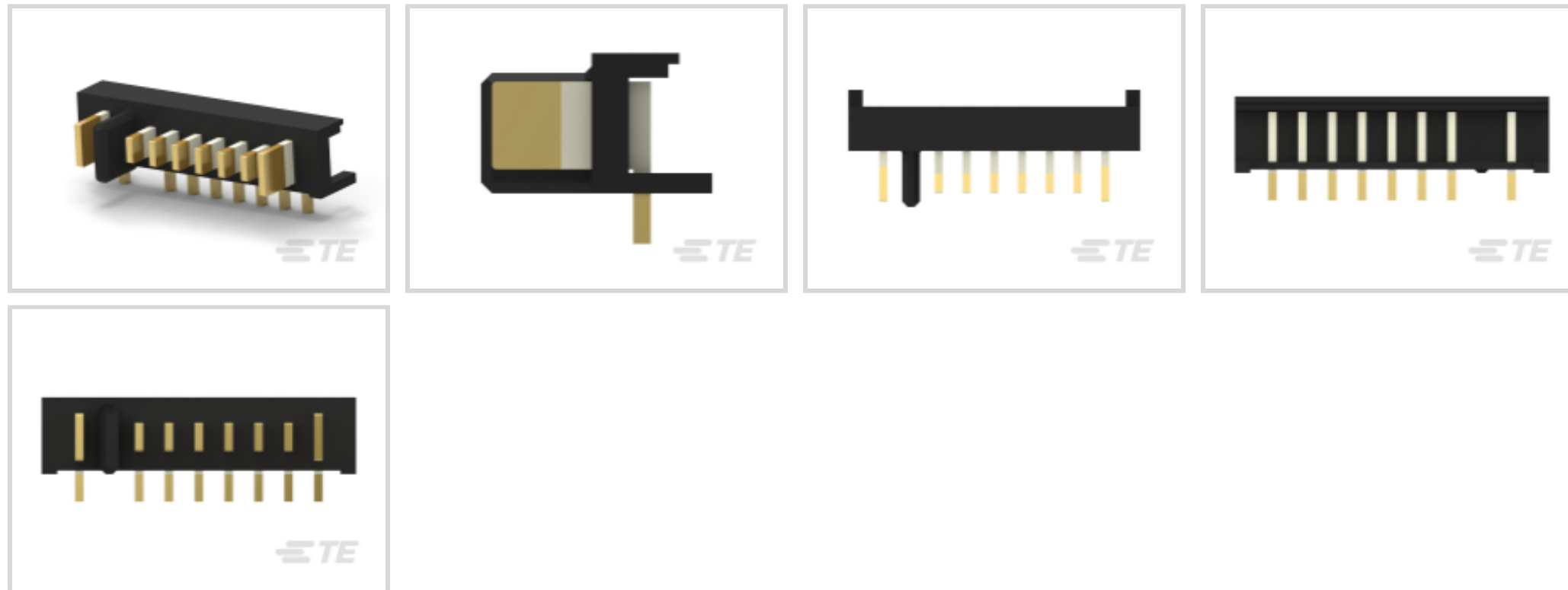


TE Internal #: 1717445-6

Board-to-Board, 8 Position, 2.5 mm [.098 in] Centerline, Plug, 30 VDC, Right Angle, Printed Circuit Board, Power & Signal, DC Jack Connectors

[View on TE.com >](#)

Connectors > PCB Connectors > Battery Connectors & Holders > DC Jack Connectors



Connector System: **Board-to-Board**

Number of Positions: **8**

Centerline (Pitch): **2.5 mm [.098 in]**

Connector & Housing Type: **Plug**

Operating Voltage: **30 VDC**

## Features

### Product Type Features

Connector System	Board-to-Board
Connector & Housing Type	Plug
Connector & Contact Terminates To	Printed Circuit Board

### Configuration Features

Number of Positions	8
PCB Mount Orientation	Right Angle

### Electrical Characteristics

Operating Voltage	30 VDC
-------------------	--------

### Contact Features

Contact Current Rating (Max)	6 A
------------------------------	-----

### Mechanical Attachment

PCB Mount Retention	Without
Connector Mounting Type	Board Mount

### Housing Features



Centerline (Pitch)	2.5 mm[.098 in]
--------------------	-----------------

### Usage Conditions

Operating Temperature Range	-20 – 80 °C[-4 – 176 °F]
-----------------------------	--------------------------

### Operation/Application

Circuit Application	Power & Signal
---------------------	----------------

### Packaging Features

Packaging Method	Box & Tray
------------------	------------

## Product Compliance

[For compliance documentation, visit the product page on TE.com>](#)

EU RoHS Directive 2011/65/EU	Compliant
EU ELV Directive 2000/53/EC	Compliant
China RoHS 2 Directive MIIT Order No 32, 2016	No Restricted Materials Above Threshold
EU REACH Regulation (EC) No. 1907/2006	Current ECHA Candidate List: JUNE 2024 (241) Candidate List Declared Against: JUNE 2024 (241) Does not contain REACH SVHC
Halogen Content	Not Low Halogen - contains Br or Cl > 900 ppm.
Solder Process Capability	Reflow solder capable to 260°C

#### Product Compliance Disclaimer

This information is provided based on reasonable inquiry of our suppliers and represents our current actual knowledge based on the information they provided. This information is subject to change. The part numbers that TE has identified as EU RoHS compliant have a maximum concentration of 0.1% by weight in homogenous materials for lead, hexavalent chromium, mercury, PBB, PBDE, DBP, BBP, DEHP, DIBP, and 0.01% for cadmium, or qualify for an exemption to these limits as defined in the Annexes of Directive 2011/65/EU (RoHS2). Finished electrical and electronic equipment products will be CE marked as required by Directive 2011/65/EU. Components may not be CE marked. Additionally, the part numbers that TE has identified as EU ELV compliant have a maximum concentration of 0.1% by weight in homogenous materials for lead, hexavalent chromium, and mercury, and 0.01% for cadmium, or qualify for an exemption to these limits as defined in the Annexes of Directive 2000/53/EC (ELV). Regarding the REACH Regulation, the information TE provides on SVHC in articles for this part number is based on the latest European Chemicals Agency (ECHA) 'Guidance on requirements for substances in articles' posted at this URL: <https://echa.europa.eu/guidance-documents/guidance-on-reach>

## Compatible Parts



TE Part # 1717620-1  
2.5MM PITCH BATTERY REC. ASSY  
8POS. R/A



TE Part # 1717478-1  
REC. ASSEMBLY 8POS. 2.5MM PITCH  
BATTERY



TE Part # 1717445-5  
PLUG ASSY 8POS.GRAY,2.5MM  
PITCH BATTERY



TE Part # 1717478-2  
REC. ASSEMBLY 8POS. 2.5MM PITCH  
BATTERY



TE Part # 1746798-1  
2.5MM PITCH BATTERY REC. ASSY  
8POS. R/A



TE Part # 1932677-1  
2.5BATTERY PLUG ASSY 8POS.  
OFFSET TYPE



TE Part # 1932677-2  
2.5BATTERY PLUG ASSY 8POS.  
OFFSET TYPE



TE Part # 2381809-1  
2.5MM PITCH BATTERY REC. ASSY  
8POS. R/A



TE Part # 2381809-2  
2.5MM PITCH BATTERY REC. ASSY  
8POS. R/A

### Customers Also Bought




TE Part #323986  
TERMINAL,PIDG R 24-20 6



TE Part #1-826634-0  
MOD2 PIN HEADER 10P



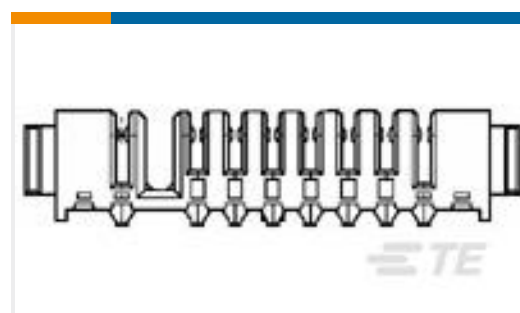
TE Part #292304-1  
STD USB TYPE B, R/A, T/H



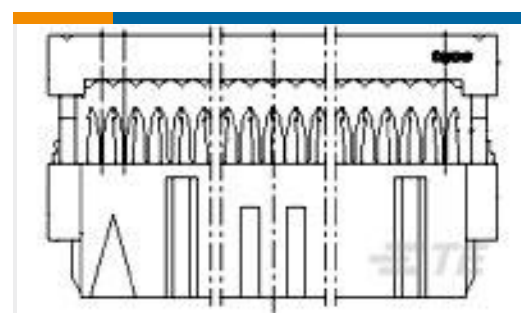
TE Part #215875-1  
4/4 PCB MOD.JACK SE



TE Part #1565322-1  
SHIELD FINGER 1608



TE Part #1717620-1  
2.5MM PITCH BATTERY REC. ASSY  
8POS. R/A



TE Part #1-215882-4  
14 WAY GREY MK II RECP



TE Part #2306334-3  
SPRING FINGER 1.2H



## Documents

### Product Drawings

[PLUG ASSY 8POS.GRAY,2.5MM PITCH BATTERY](#)

English

### CAD Files

[3D PDF](#)

3D

Customer View Model

[ENG\\_CVM\\_CVM\\_1717445-6\\_D\\_c-1717445-6-d.2d\\_dxf.zip](#)

English

Customer View Model

[ENG\\_CVM\\_CVM\\_1717445-6\\_D\\_c-1717445-6-d.3d\\_igs.zip](#)

English

Customer View Model

[ENG\\_CVM\\_CVM\\_1717445-6\\_D\\_c-1717445-6-d.3d\\_stp.zip](#)

English

By downloading the CAD file I accept and agree to the [Terms and Conditions](#) of use.

### Product Specifications

[Crimping of AMP EI Series Connector Contacts](#)

Japanese

[Application Specification](#)

Japanese