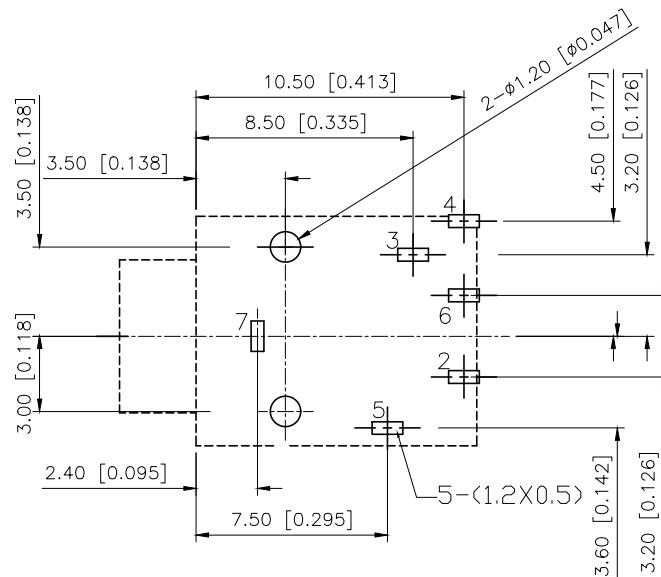
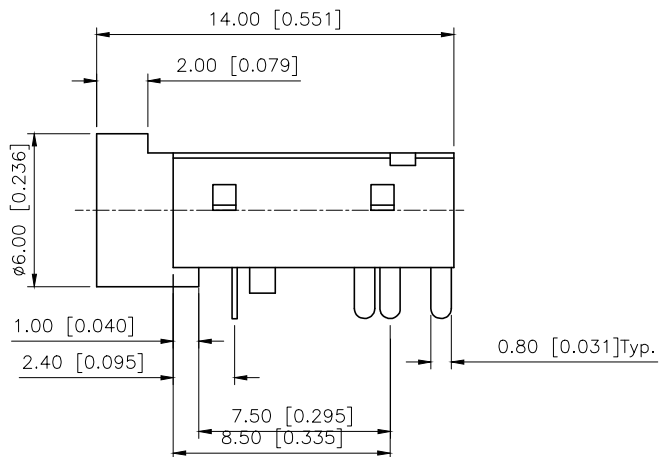
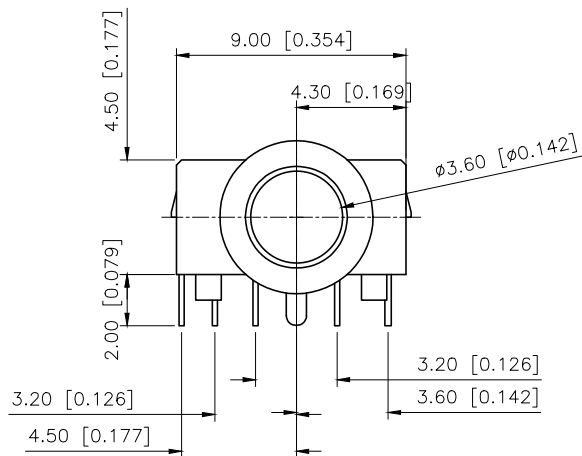
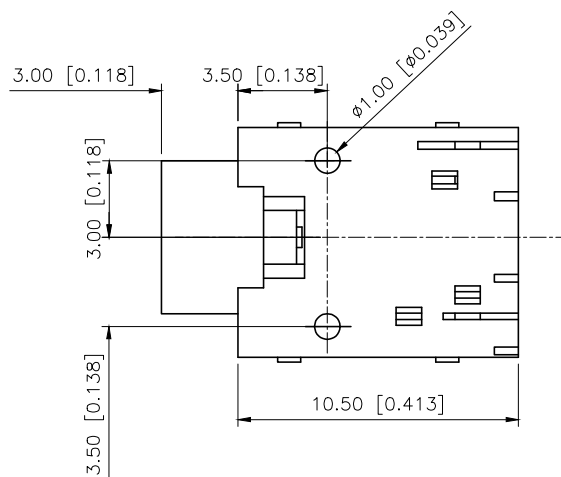


REVISIONS					
REV.	ECN NO.	LOCATION	DESCRIPTION	DATE	DESIGN
A0	N/A		INITIAL RELEASE	/	/
A1	N/A		图面升级整理图面	2025.06.27	阿树



PCB Layout



PJ-3430-X	PJ-3431-X	PJ-3432-X
PJ-3433-X	PJ-3434-X	

color	B:Black R:Red G:Green W:White
-------	----------------------------------

	Plastic	PBT	
Terminal 7	Phosphor Bronze	TIN	
Terminal 6	Phosphor Bronze	TIN	
Terminal 5	Phosphor Bronze	TIN	
Terminal 4	BrASS	TIN	
Terminal 3	Phosphor Bronze	TIN	
Terminal 2	BrASS	TIN	
PAPT NAMF	MATERIAL	PLATING	

AuGLAR	±5°
X.	±0.40
X.x	±0.30
X.xx	±0.20
X.xxx	±0.15
UNSPECIFIED TOLERAUCES	



DESIGN	阿树	VIEW:		MODEL TYPE:	3.5 PHONE JACK
CHECKED		UNIT:	mm/in	PART NO.:	PJ-343X-X
APPROVED		SIZE:	A4	DWG NO.:	

XKB INDUSTRIAL PRECISION CO., LIMITED

SCALE	PAGE	REVISION
N/A	1/1	A1