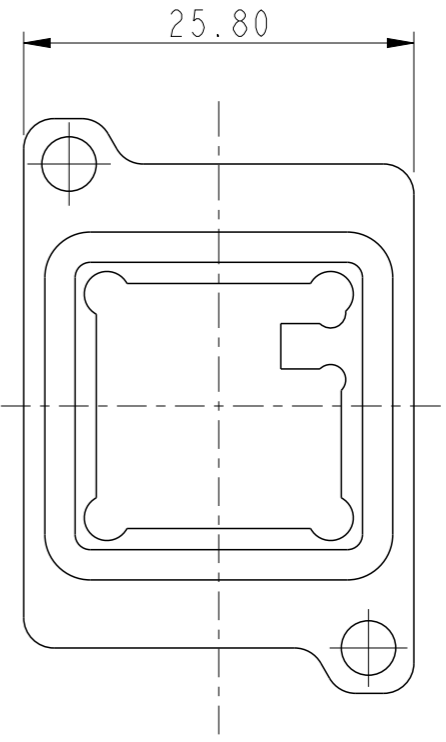
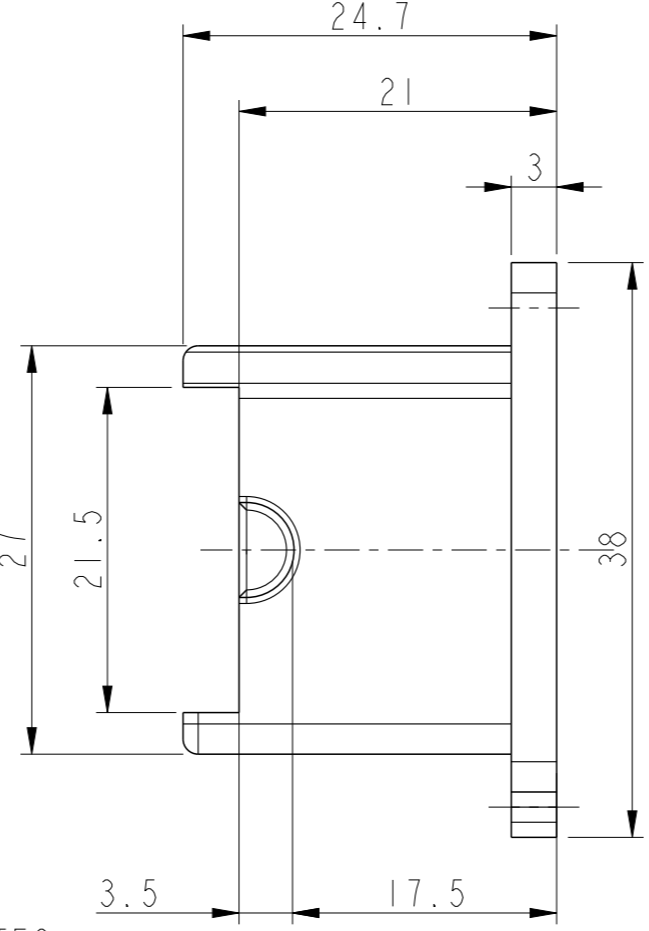
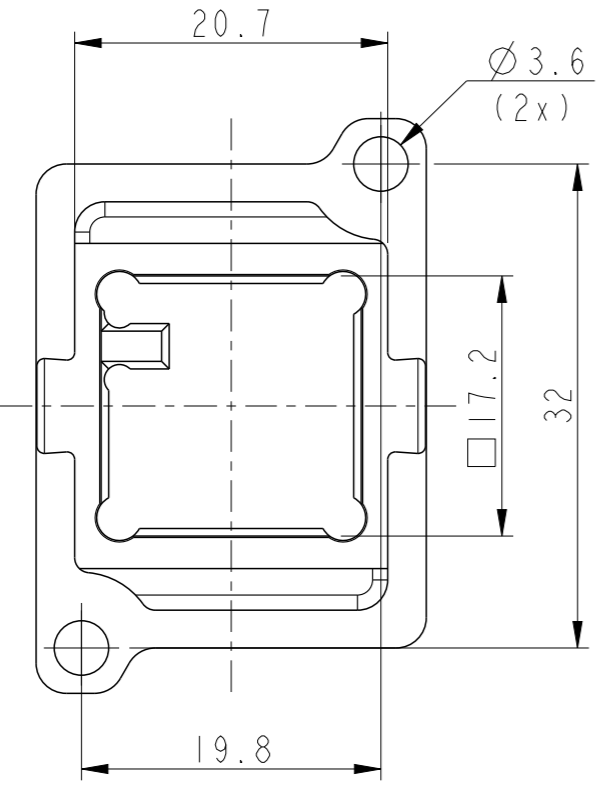
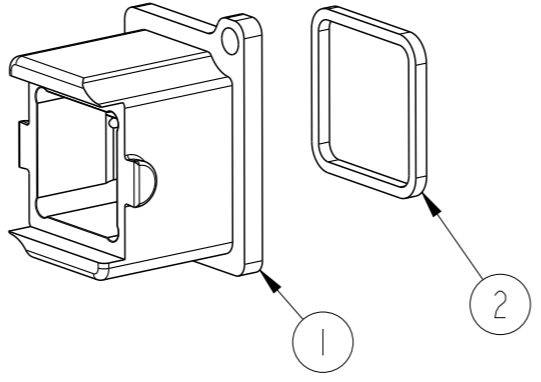
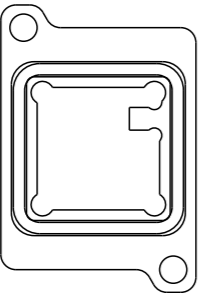


PART NUMBER  
10138459-101LF

SL NO	DESCRIPTION	MATERIAL	PLATING
1	SCREWABLE RECEPTACLE BODY	ALUMINIUM	PASSIVATION
2	PANEL SEALING GASKET	SILICONE	-



PACKING CONFIGURATION  
(ASSEMBLED FORM)



NOTES :-

- PART WILL BE SUPPLIED ONLY IN ASSEMBLED FORM
- SCREWS TO BE USED ARE M3 X 6MM; MATERIAL-STAINLESS STEEL
- CASTED MOUNTING PANEL SHOULD HAVE ON ITS REAR SIDE AN INTEGRAL RECTANGULAR REINFORCED RIBS OF 3MM THICKNESS AND 4MM WIDTH ALONG THE MOUNTING SCREW PLANE AT THE TOP AND BOTTOM TO ACCOMODATE THE BLIND INTERNAL SCREW THREAD

spec ref	dr	Jibin John	2016/11/08	projection	MM	size	A3	scale	1:1
tolerance std	eng	Sreenivas, Gok	2018/09/10			ecn no	ELX-I-30701-1	rel level	Released
ISO 406 ISO 1101	chr	-	-						
surface	appr	Varma Sudhir	2018/09/12			rel level	Released	rev	D
ISO 1302	linear	0.X	±0.3	BULKHEAD (RECEPTACLE) FOR 2 POS. POWER		dwg no	10138459	cat. no.	-
	angular	0°	±2°	OCTIS, 26MM PITCH		Product - Customer Drw	sheet 1 of 1		

Amphenol  
FCi

© 2016 AFCI

# Mouser Electronics

Authorized Distributor

Click to View Pricing, Inventory, Delivery & Lifecycle Information:

[FCI / Amphenol:](#)

[10138459-101LF](#)