



Circuit breaker size S2 for motor protection, Class 10 A-release 22...32 A Short-circuit release 416 A Screw terminal Standard switching capacity !!! Phased-out product !!! Successor is SIRIUS 3RV2 Preferred successor type is >>3RV2031-4EA10<<

<b>product brand name</b>	SIRIUS
<b>product designation</b>	circuit breaker
<b>design of the product</b>	for motor protection
<b>General technical data</b>	
product extension auxiliary switch	Yes
<b>power loss [W] for rated value of the current</b>	
• at AC in hot operating state	19 W
• at AC in hot operating state per pole	6.3 W
<b>surge voltage resistance rated value</b>	6 000 V
protection class IP on the front	IP20
<b>shock resistance</b>	25g / 11 ms
mechanical service life (operating cycles) of the main contacts typical	50 000
<b>continuous current rated value</b>	32 A
<b>Substance Prohibition (Date)</b>	07/01/2006
<b>Ambient conditions</b>	
installation altitude at height above sea level maximum	2 000 m
<b>ambient temperature</b>	
• during operation	-20 ... +60 °C
• during storage	-50 ... +80 °C
• during transport	-50 ... +80 °C
<b>Main circuit</b>	
<b>number of poles for main current circuit</b>	3
<b>adjustable current response value current of the current-dependent overload release</b>	22 ... 32 A
<b>operating voltage</b>	
• rated value	690 V
• at AC-3 rated value maximum	690 V
operational current at AC-3 at 400 V rated value	32 A
operating power at AC-3	
• at 400 V rated value	15 kW
operating frequency at AC-3 maximum	15 1/h
<b>Auxiliary circuit</b>	
number of CO contacts for auxiliary contacts	0
<b>Protective and monitoring functions</b>	
<b>product function</b>	
• ground fault detection	No
• phase failure detection	Yes
<b>trip class</b>	CLASS 10
<b>maximum short-circuit current breaking capacity (I<sub>cu</sub>)</b>	
• at AC at 240 V rated value	100 kA

- at AC at 400 V rated value 50 kA
- at AC at 500 V rated value 10 kA
- at AC at 690 V rated value 4 kA

### Short-circuit protection

**design of the overcurrent release and short-circuit release** thermomagnetic

### Installation/ mounting/ dimensions

<b>mounting position</b>	any
<b>fastening method</b>	screw and snap-on mounting onto 35 mm DIN rail according to DIN EN 50022
<b>height</b>	140 mm
<b>width</b>	55 mm
<b>depth</b>	149 mm
required spacing with side-by-side mounting	
• backwards	0 mm
• at the side	0 mm

### Connections/ Terminals

<b>product component removable terminal for auxiliary and control circuit</b>	No
<b>type of electrical connection</b>	
• for main current circuit	screw-type terminals with box terminals
• for auxiliary and control circuit	screw-type terminals
<b>arrangement of electrical connectors for main current circuit</b>	front side
type of connectable conductor cross-sections for main contacts	
• solid	2x (0.75 ... 16 mm <sup>2</sup> )
• stranded	2x (0.75 ... 25 mm <sup>2</sup> ), 1x (0.75 ... 35 mm <sup>2</sup> )
• finely stranded with core end processing	2x (0.75 ... 16 mm <sup>2</sup> ), 0.75 ... 25 mm <sup>2</sup>

### Electrical Safety

**touch protection against electrical shock** finger-safe

### Approvals Certificates

#### General Product Approval



[Confirmation](#)



#### For use in hazardous locations

#### Test Certificates

#### Marine / Shipping



[Type Test Certificates/Test Report](#)

[Special Test Certificate](#)



#### other

#### Railway

#### Environment

[Miscellaneous](#)

[Confirmation](#)



[Special Test Certificate](#)

[Environmental Confirmations](#)

### Further information

#### Information on the packaging

<https://support.industry.siemens.com/cs/ww/en/view/109813875>

#### Information- and Downloadcenter (Catalogs, Brochures,...)

<https://www.siemens.com/ic10>

#### Industry Mall (Online ordering system)

<https://mall.industry.siemens.com/mall/en/en/Catalog/product?mlfb=3RV1031-4EA10>

#### Cax online generator

<http://support.automation.siemens.com/WW/CAXorder/default.aspx?lang=en&mlfb=3RV1031-4EA10>

#### Service&Support (Manuals, Certificates, Characteristics, FAQs,...)

<https://support.industry.siemens.com/cs/ww/en/ps/3RV1031-4EA10>

#### Image database (product images, 2D dimension drawings, 3D models, device circuit diagrams, EPLAN macros, ...)

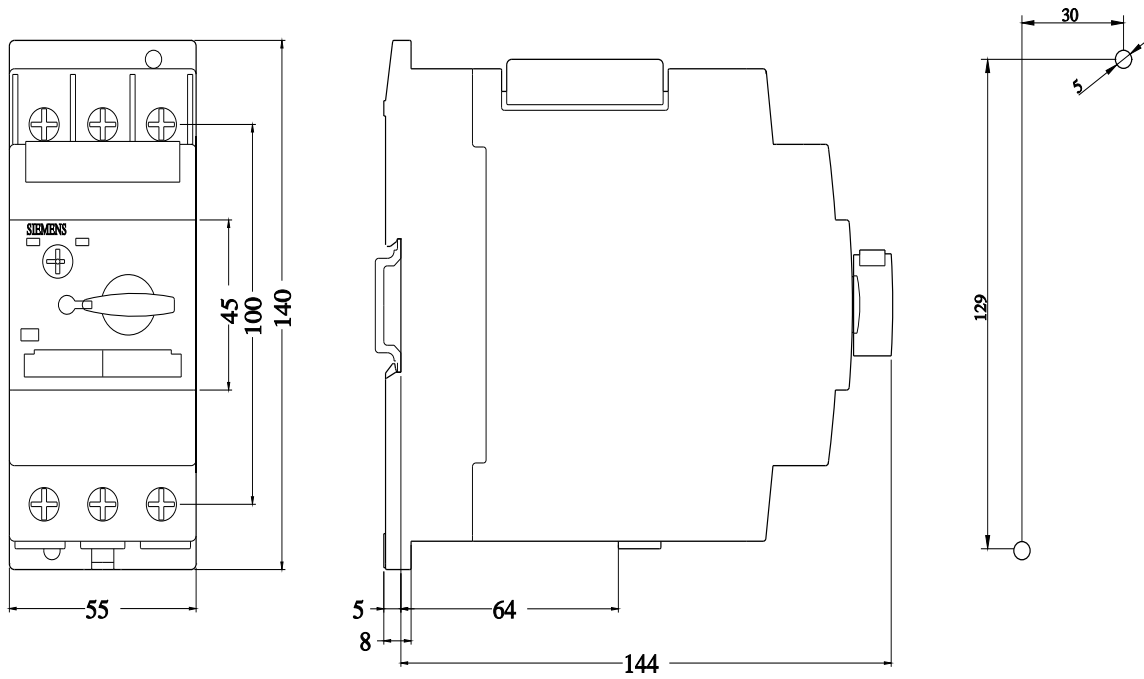
[http://www.automation.siemens.com/bilddb/cax\\_de.aspx?mlfb=3RV1031-4EA10&lang=en](http://www.automation.siemens.com/bilddb/cax_de.aspx?mlfb=3RV1031-4EA10&lang=en)

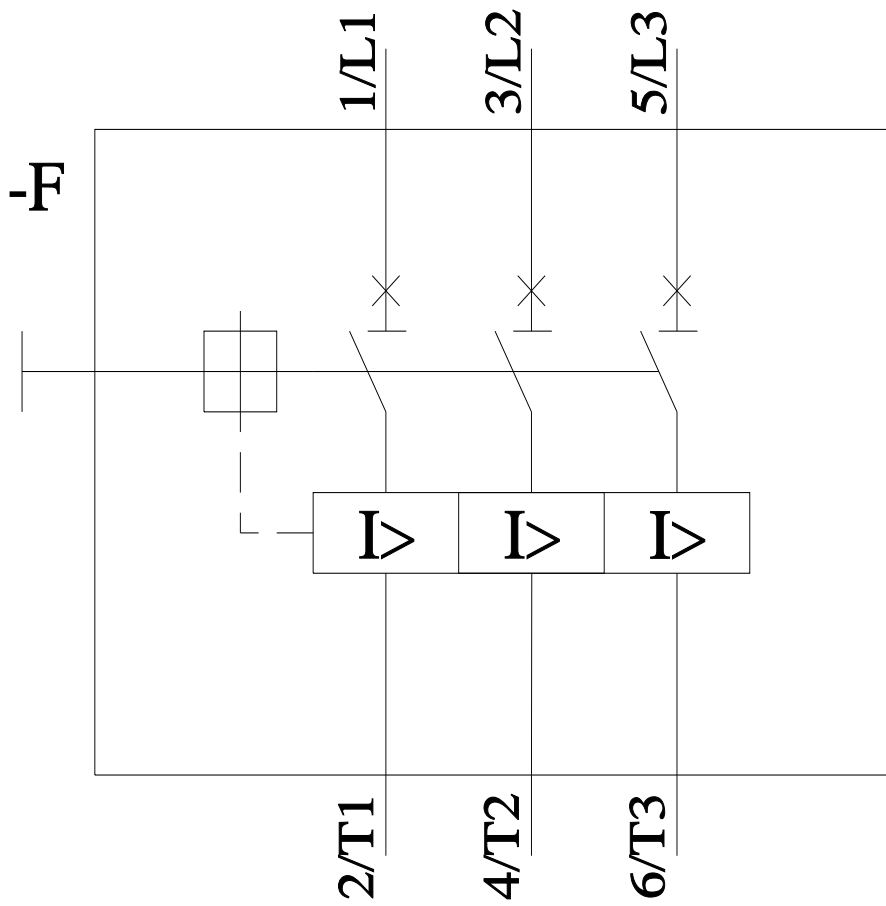
Characteristic: Tripping characteristics, I<sup>2</sup>t, Let-through current

<https://support.industry.siemens.com/cs/ww/en/ps/3RV1031-4EA10/char>

Further characteristics (e.g. electrical endurance, switching frequency)

<http://www.automation.siemens.com/bilddb/index.aspx?view=Search&mlfb=3RV1031-4EA10&objecttype=14&gridview=view1>





last modified:

11/21/2022 